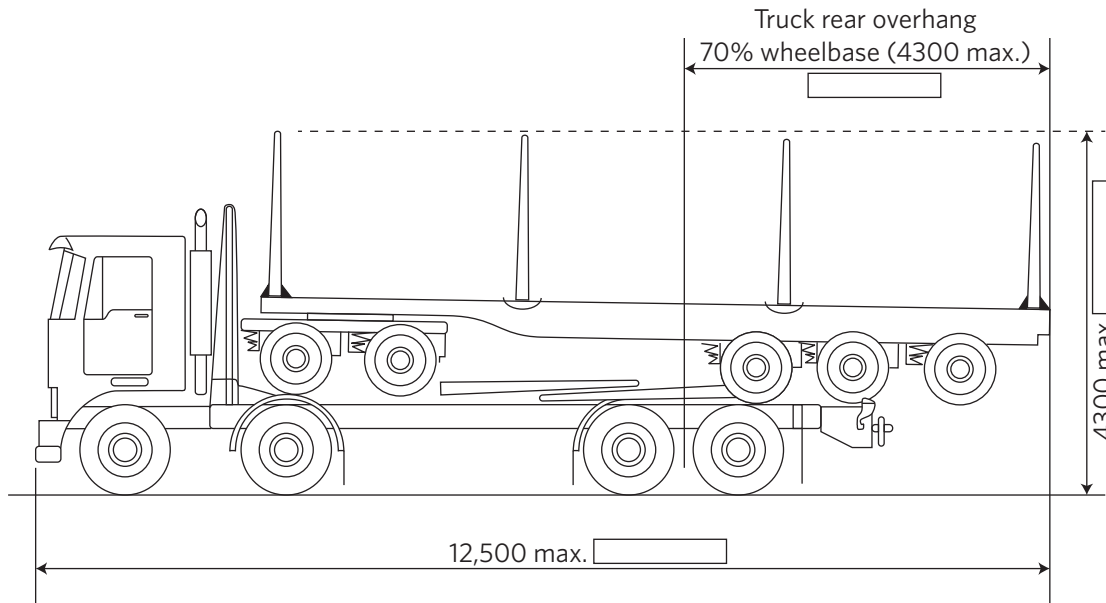
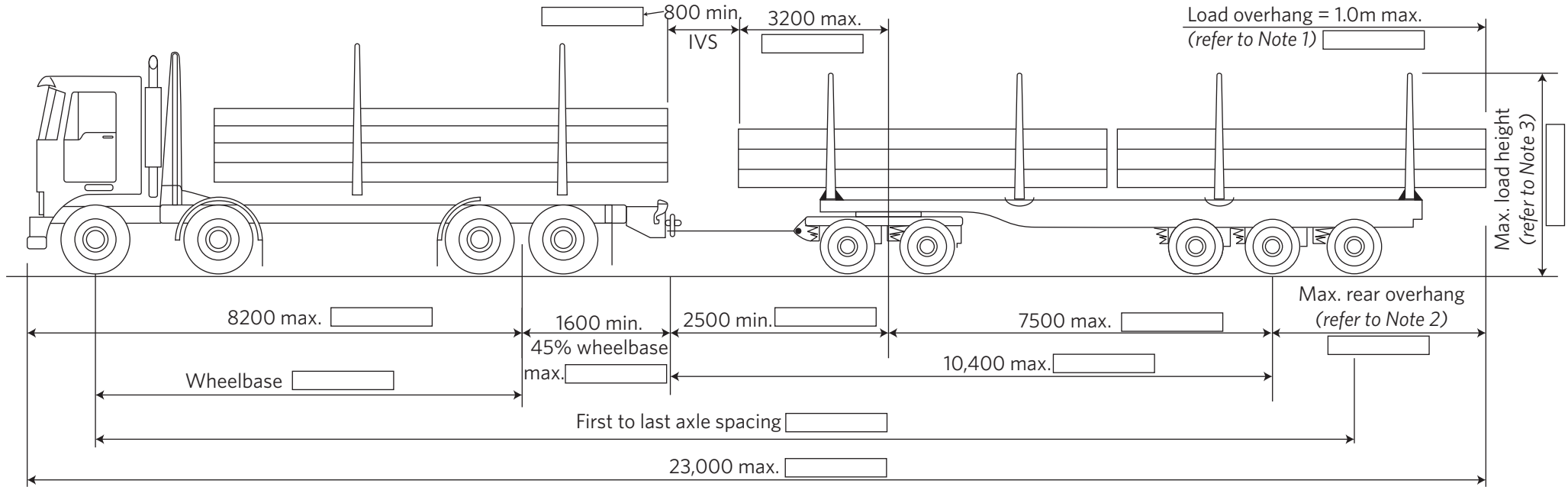


50MAX 23m 4-axle truck and 5-axle full trailer (logs)



- Note 1** Maximum load overhang beyond rear bumper = 1.0m
Trailer bumper height above ground = 650mm.
- Note 2** Maximum trailer rear overhang from rear axis = 3.75m or 50% of trailer wheelbase - subject to compliance with Note 1.
- Note 3** Maximum load height:
Certified SRT of 0.35g at nominated maximum load height for trailers equipped with active roll stability control (RSC).
- Note 4** Truck drive axles and trailer axles must be twin-tired axles.