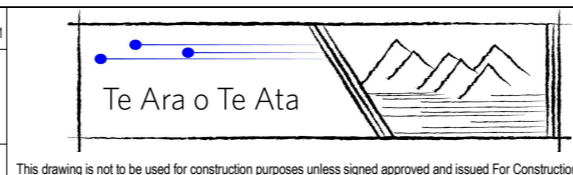


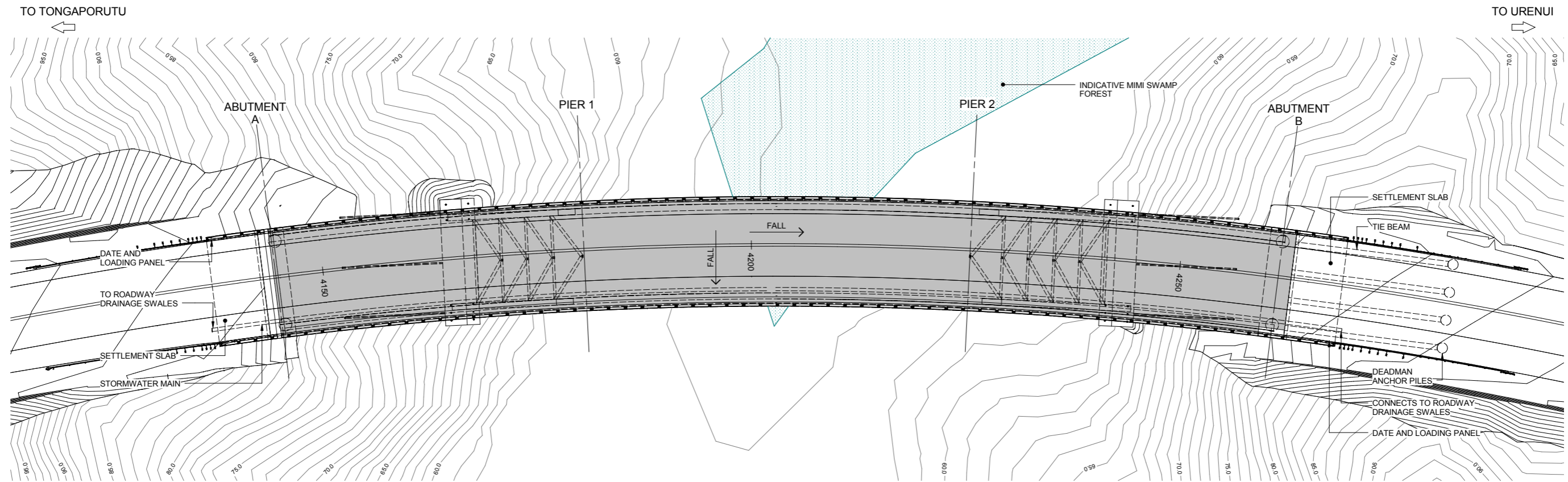
Rev	Revision Description	Drawn	Checked	Designed	Design Checked	Approved	Date
A	FOR CONSENT	AJW	QDO'S	TJB	PWG	LG	14/11/2017

Tab	MMA-DES-STR-C0-DRG-1101
Scales	N.T.S
Original Size	A1

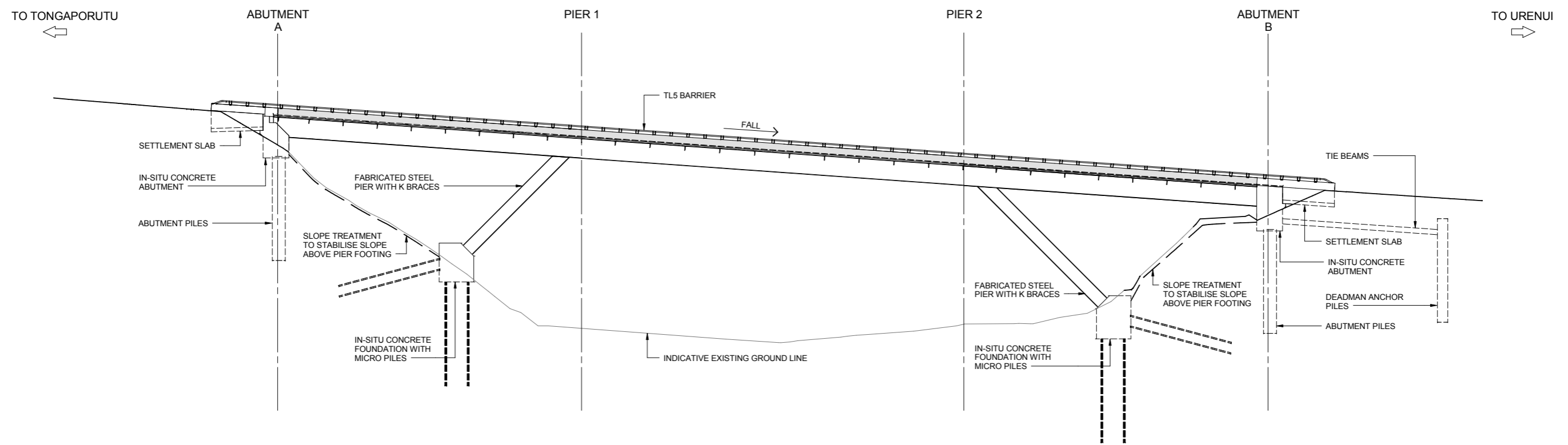


**MT MESSENGER BYPASS**  
**STRUCTURE - BRIDGE 1**  
**GENERAL ARRANGEMENT**  
**PERSPECTIVE VIEW**

Approved	<b>D. KENDERDINE</b>
Status	<b>FOR CONSENT</b>
Drawing Number	<b>MMA-DES-STR-C0-DRG-1101</b>
Revision	<b>A</b>



PLAN  
SCALE 1 : 250

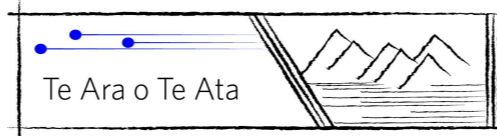


NORTH WEST ELEVATION  
SCALE 1 : 250

1 : 250 @ A1  
1 : 500 @ A3

0	4000	8000	12000	16000	20000	24000	
mm							
Rev	Revision Description	Drawn	Drawing Checked	Designed	Design Checked	Approved	Date
A	FOR CONSENT	AJW	QDO'S	TJB	PWG	LG	14/11/2017

Tab	MMA-DES-STR-C0-DRG-1102
Scales	1 : 500 (A3) 1 : 250 (A1)
Original Size	A1

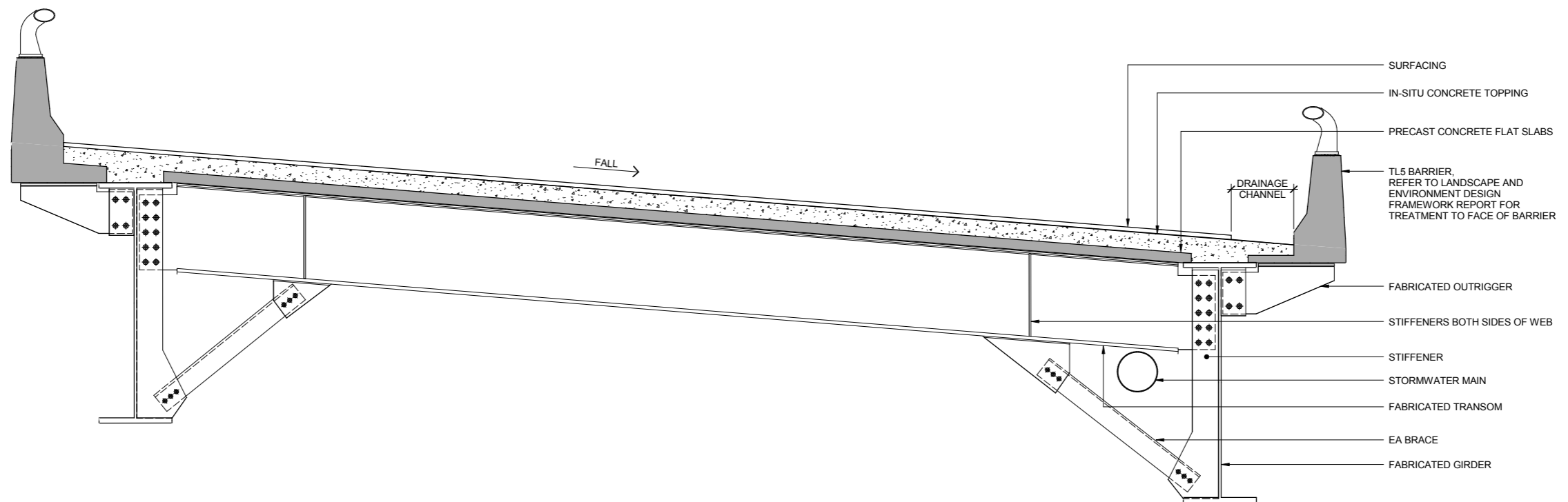


**MT MESSENGER BYPASS**  
**STRUCTURE - BRIDGE 1**  
**GENERAL ARRANGEMENT**  
**PLAN AND ELEVATION**

Approved	D. KENDERDINE
Status	FOR CONSENT
Drawing Number	MMA-DES-STR-C0-DRG-1102
Revision	A

SOUTH EAST SIDE

NORTH WEST SIDE

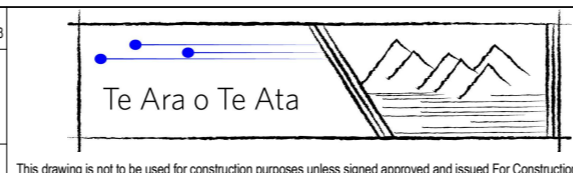


1 : 25 @ A1  
1 : 50 @ A3

0 400 800 1200 1600 2000 2400 mm

							Tab MMA-DES-STR-C0-DRG-1103
							Scales 1 : 25 (A1)
A	FOR CONSENT	AJW	QDO'S	TJB	PWG	LG	14/11/2017
Rev	Revision Description	Drawn	Drawing Checked	Designed	Design Checked	Approved	Date

Original Size	A1
---------------	----



**MT MESSENGER BYPASS**  
**STRUCTURE - BRIDGE 1**  
**GENERAL ARRANGEMENT**  
**TYPICAL CROSS SECTION**

Approved	<b>D. KENDERDINE</b>
Status	<b>FOR CONSENT</b>
Drawing Number	<b>MMA-DES-STR-C0-DRG-1103</b>
Revision	<b>A</b>