

Bridge manual (SP/M/022)

Third edition



NZ TRANSPORT AGENCY
WAKA KOTAHI

[New Zealand Government](https://www.nzta.govt.nz/)

Superseded

Bridge manual

manual number: SP/M/022

© NZ Transport Agency

www.nzta.govt.nz

Third edition, Amendment 1

Effective from September 2014

ISBN 978-0-478-37162-8 (print)

ISBN 978-0-478-37161-1 (online)

Copyright information

This publication is copyright © NZ Transport Agency. Material in it may be reproduced for personal or in-house use without formal permission or charge, provided suitable acknowledgement is made to this publication and the NZ Transport Agency as the source. Requests and enquiries about the reproduction of material in this publication for any other purpose should be made to:

NZ Transport Agency
Private Bag 6995
Wellington 6141

The permission to reproduce material in this publication does not extend to any material for which the copyright is identified as being held by a third party. Authorisation to reproduce material belonging to a third party must be obtained from the copyright holder(s) concerned.

Disclaimer

The NZ Transport Agency has endeavoured to ensure material in this document is technically accurate and reflects legal requirements. However, the document does not override governing legislation. The NZ Transport Agency and its employees, agents and contractors involved in the preparation and publication of this document do not accept liability for any consequences arising from the use of this document. Users of this document should apply and rely upon their own skill and judgment, and should not rely on the manual's contents in isolation from other sources of advice and information. In applying their own skill and judgment, the standards of safety and serviceability explicitly required or implied by this manual shall not be reduced. If the user is unsure whether the material is correct, they should make direct reference to the relevant legislation or regulations and contact the NZ Transport Agency.

More information

Published 2013
ISBN 978-0-478-37162-8 (print)
ISBN 978-0-478-37161-1 (online)

If you have further queries, call our contact centre on 0800 699 000 or write to us:

NZ Transport Agency
Private Bag 6995
Wellington 6141

This document is available on the NZ Transport Agency's website at www.nzta.govt.nz

Document management plan

1) Purpose

This management plan outlines the updating procedures and contact points for the document.

2) Document information

Document name	<i>Bridge manual</i>
Document number	SP/M/022
Document availability	This document is located in electronic form on the NZ Transport Agency's website at www.nzta.govt.nz .
Document owner	National Structures Manager
Document sponsor	National Manager Professional Services
Prepared by	Opus International Consultants Ltd, Wellington; and Professional Services, NZ Transport Agency

3) Amendments and review strategy

All corrective action/improvement requests (CAIRs) suggesting changes will be acknowledged by the document owner.

	Comments	Frequency
Amendments (minor revisions)	Updates to be notified to users by publication of a technical memorandum placed on the NZ Transport Agency's website.	As required.
Review (major revisions)	Periodic updates will be undertaken where amendments fundamentally changing the content or structure of the manual or new technology resulting from research or ongoing refinement have been identified.	As required.
Notification	All users that have registered their interest by email to bridgemanual@nzta.govt.nz will be advised by email of amendments and updates.	Immediately.

4) Distribution of this management plan

Copies of this manual management plan are to be included in the NZ Transport Agency intranet.

Record of amendments

This document is subject to review and amendment from time to time. Amendments will be recorded in the table below.

Changes since the previous amendment are indicated by a vertical line in the margin. The date of issue or amendment of a page appears in the header on each page. This page will be updated each time a new amendment is released.

Amendment number	Description of change	Effective date	Updated by
0	The NZTA <i>Bridge manual</i> 3 rd edition published to replace the Transit New Zealand <i>Bridge manual</i> 2 nd edition.	May 2013	Nigel Lloyd
1	Manual disclaimer extended to include contractors. Clauses 2.1.6(c), 3.2.1, 3.4.18(b)(ii), 4.2.1(a), 4.4.2 and 4.7.4(a) amended. Clauses 6.2.1 and 6.2.2 amended for changes in determination of PGAs. Section 7 amended to include 50MAX loading, define loaded lane and loaded length, revise concrete strengths and include alternate statistical analysis for reinforcement strength. Clauses A1.4, A2(c), table A2 and figure A4 notes amended. Appendix F extensively updated and draft status removed.	September 2014	Nigel Lloyd

Foreword

The NZ Transport Agency creates transport solutions for a thriving New Zealand.

We achieve this through our four core business functions:

- planning the land transport networks
- investing in land transport
- managing the state highway network, and
- providing access to and use of the land transport system.

Our structures are an important component of the land transport system. It is through good structures design that the NZ Transport Agency can achieve safety and the economic use of resources. This manual gives guidelines to meet that objective, for the design and evaluation of bridges carrying road and/or pedestrian traffic; for the design of other highway structures such as retaining walls and culverts; and for the design of earthworks such as slopes, embankments and cuttings.

This manual has been produced for the NZ Transport Agency by Opus International Consultants Limited, Wellington, New Zealand. It incorporates the Transit New Zealand Bridge Manual second edition published in 2003 with amendments dated June 2004, September 2004 and July 2005.

This third edition introduces amendments to all sections of the manual incorporating recent advances in structures technology and construction practice. The manual also recognises the introduction of high productivity motor vehicles (HPMVs) through updated evaluation procedures for existing bridges.

Structures technology remains an area of ongoing research and refinement. It is expected that this manual will be reviewed and amended in whole or in part from time to time. Comments from practitioners will therefore be welcomed.

Indeed, amendments to the seismic design elements of the manual are continuing as the construction industry and New Zealand as a whole come to terms with the consequences of the Canterbury earthquakes; and amendments to vehicle load models are under development to anticipate to the future freight task for the country.

Kevin Reid

National Manager Professional Services - Highways and Network Operations
The NZ Transport Agency

Contents

1.0	Introduction	1-1
1.1	Introduction	1-2
1.2	Definitions	1-3
1.3	Acknowledgements	1-3
1.4	Technical approval and certification procedures	1-3
1.5	References	1-4
2.0	Design - General requirements	2-1
2.1	Design philosophy	2-2
2.2	Geometric and side protection requirements	2-12
2.3	Waterway design	2-13
2.4	Site investigations	2-17
2.5	Influence of approaches	2-18
2.6	Urban design	2-18
2.7	Special studies	2-21
2.8	References	2-22
3.0	Design loading	3-1
3.1	Introduction	3-2
3.2	Traffic loads - gravity effects	3-2
3.3	Traffic loads - horizontal effects	3-6
3.4	Loads other than traffic	3-7
3.5	Combination of load effects	3-17
3.6	References	3-20
4.0	Analysis and design criteria	4-1
4.1	Analysis	4-2
4.2	Reinforced concrete and prestressed concrete	4-2
4.3	Structural steel and composite construction	4-12
4.4	Timber	4-14
4.5	Aluminium	4-15
4.6	Other materials	4-15
4.7	Bearings and deck joints	4-15
4.8	Integral and semi-integral abutments	4-21
4.9	Network and tied arch bridges - hanger supports	4-24
4.10	Buried structures	4-26
4.11	Bridges subject to inundation by flooding	4-30
4.12	Miscellaneous design requirements	4-31

4.13	References	4-36
	Addendum 4A New Zealand average relative humidities	4-41
5.0	Earthquake resistant design of structures	5-1
5.1	Scope and design philosophy	5-2
5.2	Design earthquake loading and ductility demand	5-6
5.3	Analysis methods	5-13
5.4	Member design criteria and foundation design	5-16
5.5	Structural integrity and provision for relative displacements	5-20
5.6	References	5-23
6.0	Site stability, foundations, earthworks and retaining walls	6-1
6.1	Scope	6-2
6.2	Design loadings and analysis	6-2
6.3	Earthquake induced liquefaction, slope instability and ground deformation	6-16
6.4	Design of earthworks	6-19
6.5	Foundations	6-22
6.6	Earth retaining systems	6-25
6.7	Geofoam road embankments	6-35
6.8	Geosynthetic soil reinforcement	6-36
6.9	References	6-38
	Addendum 6A Table 6A.1	6-41
7.0	Evaluation of bridges and culverts	7-1
7.1	Introduction	7-2
7.2	Inspection and dynamic load factors	7-5
7.3	Material strengths	7-6
7.4	Main member capacity and evaluation	7-11
7.5	Deck capacity and evaluation	7-18
7.6	Proof loading	7-24
7.7	References	7-28
	Addendum 7A Guidance note - Estimating the characteristic strength of a group of reinforcing bars	7-29
8.0	Structural strengthening	8-1
8.1	Introduction	8-2
8.2	Approvals	8-2
8.3	Durability	8-2
8.4	Existing structure material strengths	8-3
8.5	Strengthening of flexural members	8-3

8.6	Shear strengthening and ductility enhancement of reinforced concrete columns	8-13
8.7	References	8-14
Appendix A	Bridge widths and clearances	A-1
A1	General	A-2
A2	Bridge deck widths	A-6
A3	Vertical and horizontal clearances	A-11
A4	References	A-13
Appendix B	Barrier systems on structures	B-1
B1	General	B-2
B2	Types of barrier system and their applications	B-2
B3	Barrier performance selection method	B-4
B4	Barrier acceptance criteria	B-10
B5	Standard solutions	B-11
B6	Side protection design criteria	B-11
B7	Geometric layout, end treatment and transitions - the NZTA's requirements	B-16
B8	Non-proprietary bridge barrier system	B-17
B9	References	B-22
Appendix C	Seismic hardware	C-1
C1	Linkage bars	C-2
C2	Toroidal rubber buffers	C-5
C3	References	C-6
Appendix D	Lightly trafficked rural bridges	D-1
D1	General	D-2
D2	Specific requirements	D-2
D3	References	D-6
Appendix E	Bridge site information summary	E-1
Appendix F	Technical approval and certification procedures	F-1
F1	Introduction	F-2
F2	Technical approval requirements	F-2
F3	Requirements for project feasibility and detailed business case	F-7
F4	Requirements for design and project documentation	F-8
F5	Certification requirements	F-11
F6	Category of structures	F-12
F7	References	F-15
Annex F1	Model technical approval documents	F-16
Annex F2	Model certificates	F-26

1.0 Introduction

In this section	Section	Page
	1.1 Introduction	1-2
	1.2 Definitions	1-3
	1.3 Acknowledgements	1-3
	1.4 Technical approval and certification procedures	1-3
	1.5 References	1-4

1.1 Introduction

This *Bridge manual* sets out the criteria for the design of new structures and earthworks, and the evaluation of existing bridges. The manual has been developed by the NZ Transport Agency (NZTA) for use on state highways or for the design of other new or replacement bridges proposed for funding from the National Land Transport Fund (NLTF). Use of the manual on other highways, including private highways, may be considered appropriate with the agreement of the relevant road controlling authority, client or landowner.

Specifically the *Bridge manual* covers:

- bridges carrying road and/or pedestrian traffic, in which the main supporting members are of reinforced or prestressed concrete, structural steel, timber or aluminium, utilising beam or arch action, and spanning up to 100 metres.
- stock underpasses and pedestrian subways.
- all culverts or multiple culverts with a total waterway area greater than 3.4 m².
- slopes, embankments and cuttings.
- retaining wall systems such as gravity walls, cantilever walls, mechanically stabilised earth walls and anchored walls.

The manual does not include suspension or cable-stayed bridge structures, nor structures subject to railway loadings.

The manual also does not specifically cover all forms of "other highway structures", such as sign gantries, sign supports, lighting supports, noise walls and fences.

The *Bridge manual* has been written as a performance specification, and methods have only been specified where they are considered essential to achieving a satisfactory design.

This edition supersedes the following previously published documents:

1933	<i>Road bridges: Loads and allowable stresses</i> , Public Works Department.
1943	<i>Highway bridge design loadings and tentative preliminary code</i> , Technical Memorandum No. 8, Public Works Department.
1956	<i>Bridge manual</i> , Ministry of Works.
1971, 1972, 1973, 1978	<i>Highway bridge design brief</i> , CDP 701, Ministry of Works and Development.
1973	<i>Bridge classification and deck grading for overweight permits</i> , CDP 703, Ministry of Works and Development.
1974	<i>Posting weight limits for highway bridges</i> , CDP 704, Ministry of Works and Development.
1984	<i>Bridge deck widths and side protection</i> , CDP 710, Ministry of Works and Development.
1989	<i>Bridge manual</i> , National Roads Board.
1991	<i>Bridge manual: Design and evaluation</i> , (draft for comment), Transit New Zealand.
1994, 2000	<i>Bridge manual</i> , 1 st edition, Transit New Zealand.
2003	<i>Bridge manual</i> , 2 nd edition, Transit New Zealand.

1.2 Definitions

The following definitions shall be used preferentially in the naming of bridges and other highway structures on the state highway network:

Term	Definition
Bridge	A structure designed to carry a road or path over an obstacle by spanning it.
Culvert	One or more adjacent pipes or enclosed channels for conveying surface water or a stream below formation level.
Overpass	A grade separation where the subject carriageway passes over an intersecting carriageway or railway.
Stock underpass	A structure constructed to permit the passage of stock beneath a road.
Subway	A structure constructed to permit the passage of pedestrians, cyclists or equestrians beneath the road.
Underpass	A grade separation where the subject carriageway passes under an intersecting carriageway or railway.

1.3 Acknowledgements

The assistance provided by Opus International Consultants Limited in the preparation of this manual is acknowledged.

The assistance provided by Beca Infrastructure Limited, Bloxam Burnett & Olliver Limited, Peters & Cheung Limited and URS New Zealand Limited in the review of this manual is acknowledged.

Section B3.2 contains text taken from AS 5100.1-2004 *Bridge design* part 1 Scope and general principles. Reprinted with the permission of Standards Australia Limited.

1.4 Technical approval and certification procedures

Details of the technical approval and certification procedures required by the NZTA for highway structures on state highways are contained within Appendix F. Details of the requirements for structure options reports, structure design statements, design certification, design review certification, construction certification and construction review certification are contained therein.

These details will be moved to the forthcoming NZTA *Road structures design guide*⁽¹⁾ once it has been completed.

1.5 References

- (1) NZ Transport Agency (2013) *Road structures design guide*. Wellington. In prep.
-

Superseded

2.0 Design - General requirements

In this section

	Section	Page	
	2.1	Design philosophy	2-2
	2.2	Geometric and side protection requirements	2-12
	2.3	Waterway design	2-13
	2.4	Site investigations	2-17
	2.5	Influence of approaches	2-18
	2.6	Urban design	2-18
	2.7	Special studies	2-21
	2.8	References	2-22

2.1 Design philosophy

2.1.1 General

Highway structures shall be designed to satisfy the requirements of both the ultimate and the serviceability limit states when acted on by any of the combinations of loading defined in this document.

During the design process all relevant factors affecting the design, such as those listed in broad terms in section 2 of a structure options report, shall be taken into account to ensure compliance with all relevant legislation and regulations. Detailing shall be such that it promotes ease of construction and ease of maintenance.

Construction methods shall be considered, in order to avoid undue expense due to unnecessarily complicated procedures. However, methods shall not be specified unless they contain features essential to the design assumptions.

2.1.2 Definition of terms

Serviceability limit state (SLS): The state beyond which a structure becomes unfit for its intended use through deformation, vibratory response, degradation or other operational inadequacy.

Ultimate limit state (ULS): The state beyond which the strength or ductility capacity of the structure is exceeded, or when it cannot maintain equilibrium and becomes unstable.

Design working life: The design working life of a structure is that life beyond which the structure will be expected to have become functionally obsolete or to have become uneconomic to maintain in a condition adequate for it to perform its functional requirements.

Major renovation: Maintenance work costing more than 20% of the replacement value of the structure, necessary to maintain the strength, ductility capacity, or serviceability of a structure to enable it to fulfil its functional requirements.

2.1.3 Basis of design

Design to this document is based on limit state principles adopting where possible a statistical approach to the derivation of design loads and material strengths.

Design actions other than earthquake, wind, snow and floodwater are based on a statistical distribution appropriate to a 100-year design working life. Where statistical distributions are not available, design actions are based on judgment and experience. For dead and live load, the target probability of exceedance within 100 years that has been adopted is 5%.

For wind, snow, floodwater and earthquake actions, bridges, earth retaining structures and earth slopes shall be categorised into an importance level for which the assigned annual probabilities of exceedance for these actions shall be as given in tables 2.1, 2.2 and 2.3 respectively. Both the structure and non-structural elements shall remain undamaged following wind, snow and flood events up to an SLS 1 event, and the bridge or earth retaining structure shall remain operationally functional for all traffic during and following flood events up to an SLS 2 event. SLS 1 and SLS 2 events are serviceability limit state events defined by the annual probabilities of exceedance given in tables 2.1 and 2.2. Performance requirements during and following an earthquake are presented in section 5.

2.1.3 continued

All bridges, other than footbridges, that span other roads or railways shall be designed for an importance level being the greater of their own importance level and that of the road or railway crossed. Footbridges shall be designed for the greater of their own importance level and an importance level of 1 less than the importance of the road or railway crossed. For the requirements of this clause the importance level of a railway shall be taken as importance level 3.

Non-integral bridge abutment walls and independent walls associated with bridges (as defined in 6.6.1(a)(i)) shall be designed for the same annual probability of exceedance events as adopted for the bridge and earth slopes on which a bridge depends for its support and stability.

For earth retaining structures of importance level 3 or 4, the design working life shall be taken as 100 years. For earth retaining structures of importance level 1 or 2, the design working life shall be taken as 100 years unless otherwise directed by the road controlling authority, but for importance level 2 should not be less than 50 years. For earth retaining structures with design lives of less than 100 years, the design annual probabilities of exceedance at the ultimate limit state, to be used in place of that given in table 2.2, may be determined in accordance with the following:

$$P = P_{ref} \times (100/N)$$

Where: P_{ref} = reference probability of exceedance for the ULS given in table 2.2.

N = design working life of the earth retaining structure.

P = design annual probability of exceedance.

Where a slope failure may impact on property of significant value or importance the slope shall be assigned an annual probability of exceedance for the ultimate limit state event corresponding to that for retaining walls protecting property of similar value.

2.1.4 Design standards

This document defines design loadings, load combinations and load factors, together with criteria for earthquake resistant design, and other miscellaneous items. It does not define detailed design criteria for the various materials, but refers to standards such as those produced by Standards New Zealand, Standards Australia and the British Standards Institution. The standards referred to shall be the editions referenced, including all current amendments. The specified portions of these standards are to be read as part of this document but any references in such standards to specific loads or load combinations shall be disregarded.

2.1.5 Design working life requirements

For the purpose of assessing probabilistic effects of loading such as wind, earthquake, flood and live load fatigue, and for consideration of long-term effects such as corrosion, creep and shrinkage, the design working life of a bridge or an earth retaining structure is assumed to be 100 years in normal circumstances. This may be varied by the controlling authority if circumstances require it, for example for temporary structures, for strengthening of existing structures or for increasing the design life of landmark or high value structures. It should be noted that the 100-year design working life exceeds the minimum requirement of the *Building code*⁽¹⁾. The design working life of other highway structures shall be agreed with the road controlling authority.

Table 2.1: Importance level and annual probabilities of exceedance for wind, snow, floodwater and earthquake actions for bridges

Bridge categorisation	Importance level (as per AS/NZS 1170.0 ⁽²⁾)	Bridge permanence [*]	Annual probability of exceedance for the ultimate limit state		Annual probability of exceedance for the serviceability limit state	
			ULS for wind, snow and floodwater actions	ULS for earthquake actions	SLS 1 for wind, snow and floodwater actions	SLS 2 for floodwater actions
Bridges of high importance to post-disaster recovery (eg bridges in major urban areas providing direct access to hospitals and emergency services or to a port or airport from within a 10km radius). Bridges with a construction cost exceeding \$15 million (as at December 2012) [†] .	4	Permanent	1/5000	1/2500	1/25	1/100
		Temporary	1/1000	1/1000	1/25	1/100
Bridges on the primary lifeline routes (or similar new alignments) identified in figures 2.1(a), 2.1(b) and 2.1(c), categorised for the purposes of this manual on the basis of: <ul style="list-style-type: none"> • volume of traffic carried • route strategic importance (eg interconnection of centres of population) • redundancy of the regional roading network. 	3	Permanent	1/2500	1/2500	1/25	1/100
		Temporary	1/500	1/500	1/25	-
Normal bridges, not falling into other levels. Footbridges.	2	Permanent	1/1000	1/1000	1/25	1/50
		Temporary	1/250	1/250	1/25	-
Bridges on no-exit or loop rural roads, not serving a through road function, and serving populations <50.	1	Permanent	1/500	1/500	1/25	1/25
		Temporary	1/50	1/50	-	-

Notes:

* Permanent bridge: design working life = 100 years. Temporary bridge: design working life ≤ 5 years.

† Values shall be adjusted to current value. For the relevant cost adjustment factor refer to the NZ Transport Agency's (NZTA) *Procurement manual*, Procurement manual tools, Latest cost index values for infrastructure, table 1 Cost adjustment factors, part 3 – Bridges⁽³⁾.

Table 2.2: Importance level and annual probabilities of exceedance for storm*, floodwater and earthquake actions for earth retaining structures

Retaining structure categorisation	Importance level (as per AS/NZS 1170.0 ⁽²⁾)	Height H [†] (m)	Area A [†] (m ²)	Annual probability of exceedance for the ultimate limit state		Annual probability of exceedance for the serviceability limit state	
				ULS for storm and floodwater actions	ULS for earthquake actions	ULS for storm and floodwater actions	ULS for earthquake actions
Retaining structures associated with bridges	As for the associated bridge						
Retaining structures providing route security							
Retaining structures critical to post-disaster recovery (eg retaining walls, the failure of which could completely close important roads in major urban areas providing direct access to hospitals and/or emergency services, or to a port or airport from within a 10km radius).	4			1/5000	1/2500	1/25	1/100
Retaining structures on a primary lifeline route (or similar new alignment) identified in figures 2.1(a), 2.1(b) and 2.1(c), categorised as outlined in table 2.1.	3	≥ 5 and	≥ 100	1/2500	1/2500	1/25	1/100
	2	< 5 or	< 100	1/1000	1/1000	1/25	1/50
Retaining structures on other than primary lifeline routes.	2	≥ 5 and	≥ 50	1/1000	1/1000	1/25	1/50
	1	< 5 or	< 50	1/500	1/500	1/25	1/25
Retaining structures the failure of which would not affect the use of the road; or on no-exit or loop rural roads, not serving a through road function and serving populations <50.	1			1/500	1/500	1/25	1/25
Retaining structures providing protection to adjacent property							
Retaining structures protecting against loss or significant loss of functionality to adjacent property categorised as:							
having special post disaster functions (ie importance level 4 or above as listed in AS/NZS 1170.0 ⁽²⁾ table 3.2).	4			1/5000	1/2500	1/25	1/100
importance level 3 by AS/NZS 1170.0 ⁽²⁾ table 3.2.	3			1/2500	1/2500	1/25	1/100
importance level 2 by AS/NZS 1170.0 ⁽²⁾ table 3.2.	2			1/1000	1/1000	1/25	1/50
Retaining structures protecting adjacent property, the consequential reinstatement cost of which would exceed \$1.3 million (as at December 2012) [‡] , not otherwise an importance level 3 or 4 structure.	2			1/1000	1/1000	1/25	1/50
Retaining structures the failure of which would not significantly endanger adjacent property.	1			1/500	1/500	1/25	1/25
Retaining structures not falling into other levels	2			1/1000	1/1000	1/25	1/50

Notes:

* Storm includes the effects of rainwater (ie ponding and groundwater pressure).

† The maximum height H shall be measured to where a line from the ground level at the front of the wall, inclined at 45°, intersects the ground surface behind the wall. The face area A shall be calculated using the height H defined thus.

‡ Values shall be adjusted to current value. For the relevant cost adjustment factor refer to the NZTA's *Procurement manual*, Procurement manual tools, Latest cost index values for infrastructure, table 1 Cost adjustment factors, part 2 - Construction⁽³⁾.

Table 2.3: Importance level and annual probabilities of exceedance for storm*, floodwater and earthquake actions for earth slopes

Earth slope categorisation	Importance level (as per AS/NZS 1170.0 ⁽²⁾)	Slope type	Annual probability of exceedance for the ultimate limit state	
			ULS for storm and floodwater actions	ULS for earthquake actions
Earth slopes affecting bridges[†]		As for the bridge affected		
Earth slopes providing route security				
Earth slopes on routes critical to post-disaster recovery (eg routes in major urban areas providing direct access to hospitals and/or emergency services, or to a port or airport from within a 10km radius).	4	Fill > 6m high	1/2500	1/2500
		Fill ≤ 6m high and all cuts	1/1000	1/1000
Earth slopes on a primary lifeline route (or similar new alignment) identified in figures 2.1(a), 2.1(b) and 2.1(c) categorised as outlined in table 2.1,	3	Fill > 6m high	1/1000	1/1000
		Fill ≤ 6m high and all cuts	1/500	1/500
Earth slopes on other than primary lifeline routes.	2	Fill > 6m high	1/500	1/500
		Fill ≤ 6m high and all cuts	1/100	1/100
Earth slopes the failure of which would not affect the use of the road; or on no-exit or loop rural roads, not serving a through road function and serving populations <50.	1	Fill > 6m high	1/100	1/100
		Fill ≤ 6m high and all cuts	1/50	1/50
Earth slopes providing protection to adjacent property				
Earth slopes protecting against loss or significant loss of functionality to adjacent property categorised as:				
having special post disaster functions (ie importance level 4 or above as listed in AS/NZS 1170.0 ⁽²⁾ table 3.2).	4	All	1/2500	1/2500
importance level 3 by AS/NZS 1170.0 ⁽²⁾ table 3.2.	3	All	1/1000	1/1000
importance level 2 by AS/NZS 1170.0 ⁽²⁾ table 3.2.	2	All	1/500	1/500
Earth slopes protecting adjacent property, the consequential reinstatement cost of which would exceed \$1.3 million (as at December 2012) [‡] , not otherwise an importance level 3 or 4 slope.	2	All	1/500	1/500
Earth slopes the failure of which would not significantly endanger adjacent property.	1	Fill > 6m high	1/100	1/100
		Fill ≤ 6m high and all cuts	1/50	1/50
Earth slopes not falling into other levels	2	Fill > 6m high	1/500	1/500
		Fill ≤ 6m high and all cuts	1/100	1/100

Notes:

Where achieving the specified level of performance results in excessively high cost, an approach based on an assessment of the risks versus the cost may be promoted to the road controlling authority for their acceptance.

* Storm includes the effects of rainwater (ie ponding and groundwater pressure).

† Slopes affecting bridges are those that have the potential to collapse onto a bridge or to result in loss of support of a bridge if the slope fails.

‡ Values shall be adjusted to current value. For the relevant cost adjustment factor refer to the NZTA's *Procurement manual*, Procurement manual tools, Latest cost index values for infrastructure, table 1 Cost adjustment factors, part 2 – Construction⁽³⁾.

Figure 2.1(a): North Island importance level 3 routes (primary lifelines - shown in orange)

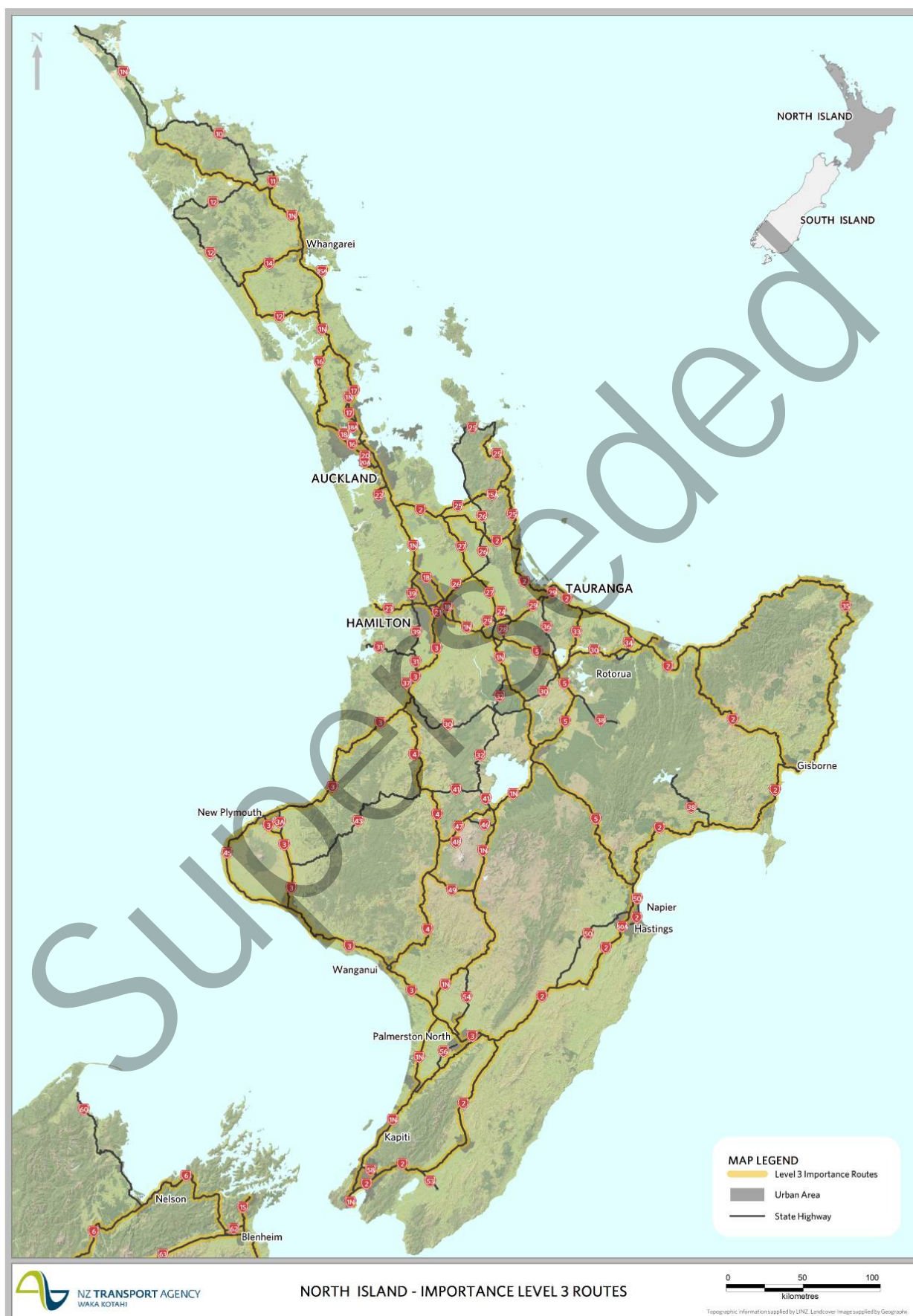
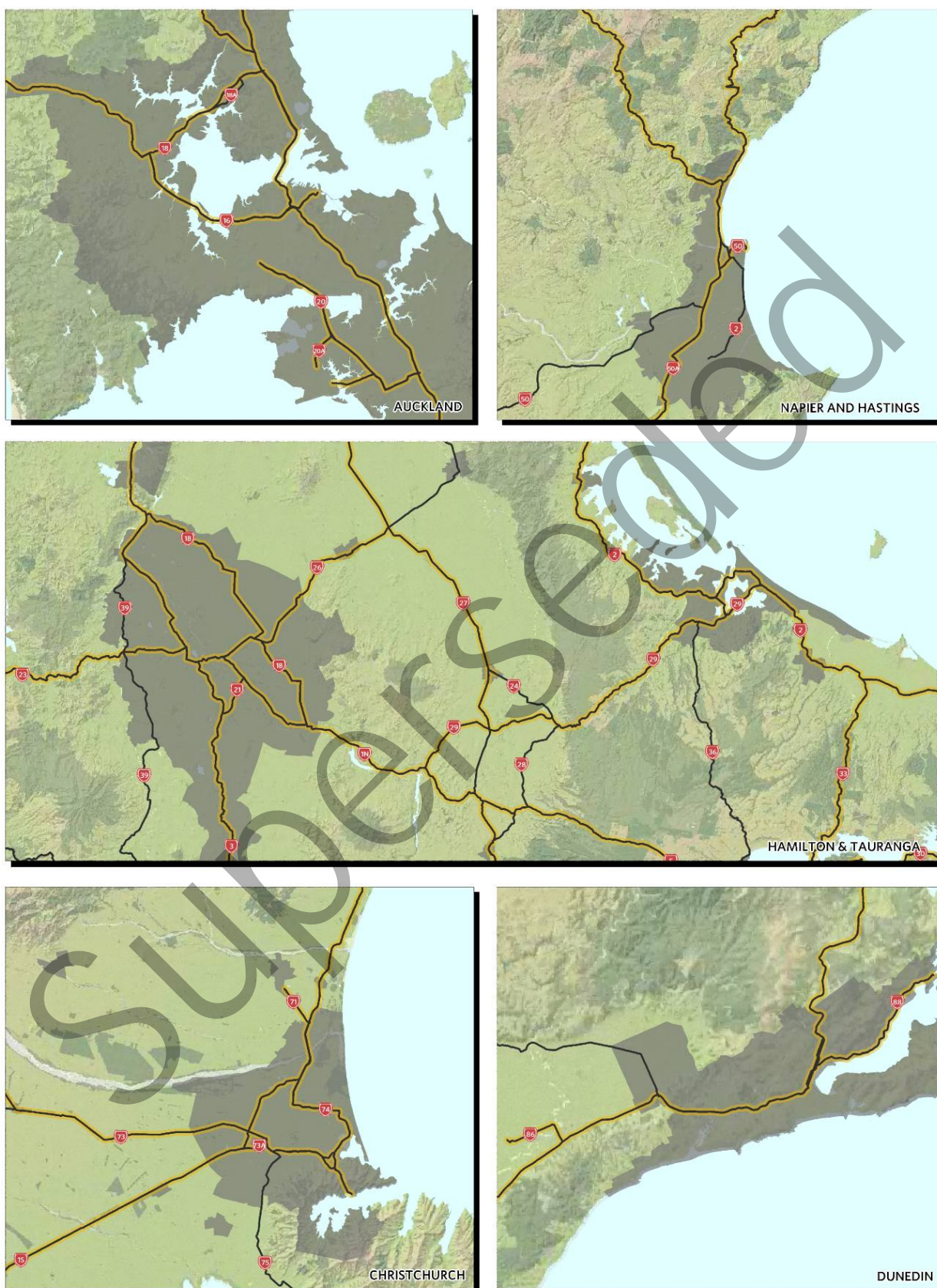


Figure 2.1(b): South Island importance level 3 routes (primary lifelines - shown in orange)



Figure 2.1(c): Selected urban areas importance level 3 routes (primary lifelines - shown in orange)



2.1.6 Durability requirements

a. General

The structure and its component members shall be designed to provide adequate durability in accordance with the requirements of the material design standards, except where specific requirements are included in this document, which shall take precedence.

Structures shall be sufficiently durable to ensure that, without reconstruction or major renovation, they continue to fulfil their intended function throughout their design life.

b. Replaceable elements

Replaceable elements of a structure (eg proprietary bridge deck movement joints, bearings, seismic restraints) shall have a minimum life of 40 years to major maintenance or replacement, and shall be replaceable without the need for major modification to adjacent elements. Corrosion protection systems shall satisfy the requirements of 4.3.6.

c. Cast-in items

Cast-in items shall have a design life of 100 years. Unless sealed from exposure to the atmosphere by concrete cover complying with NZS 3101.1&2 *Concrete structures standard*⁽⁴⁾ table 3.7 or by the attachment plates of the fixed hardware, cast-in items and fixings shall be of grade 316 stainless steel or other suitable non-ferrous material that does not introduce bimetallic corrosion unless otherwise explicitly stated in this manual.

d. Water staining

Where appropriate, the edges of concrete elements shall include drip details to avoid water staining and to keep the locations of bearings, seismic restraints and post-tensioning hardware dry.

2.1.7 Structural robustness

All parts of the structure shall be interconnected, in both horizontal and vertical planes, to provide the structure with the robustness to adequately withstand unanticipated extreme loading events such as extreme flood, earthquake or vehicle collision.

In detailing the various elements of a structure, the effect of that detailing on the robustness of the structure as a whole to unanticipated extreme loading events shall be considered and robustness of the structure shall be ensured.

Hold-down devices shall be provided at all supports where the net vertical reaction under ultimate limit state design conditions for earthquake, flood, wind or collision by a vehicle, train or ship is less than 50% of the dead load reaction. In the case of propped cantilever spans and in-span structural hinges, hold-down devices shall be provided regardless.

The hold-down device shall have sufficient strength to prevent uplift of the span from its support under the above ultimate limit state design conditions but not less than sufficient strength to resist a force equal to 20% of the dead load reaction. In the case of a cantilever span, free or propped, the minimum design strength of the hold-down device at the end of the cantilever shall be calculated on the basis of 20% of the dead load reaction which would exist if the cantilever span was simply supported. The restraint against lift and buoyancy forces imposed by flood flow shall also be not less than that specified by 3.4.8. An elastomeric bearing shall not form part of a hold-down device.

2.1.7 continued

A positive lateral restraint system shall also be provided between the superstructure and the substructure at piers and abutments, except at abutments that satisfy the overlap requirements of 5.5.2(d). The restraint system for each continuous section of the superstructure shall be capable of resisting an ultimate design horizontal force normal to the bridge centreline of not less than 500kN or 5% of the superstructure load at that support, whichever is greater. The requirements of 5.5.2 shall also be complied with. For continuous superstructures, lateral restraints may be omitted at some supports provided that each continuous section of the superstructure between expansion joints is at least equivalently restrained. Supports providing this lateral restraint shall also be designed to resist this design force.

Restraints shall have sufficient lateral clearance to allow thermal movements unless the structure is specifically designed for the induced forces from thermal expansion and contraction arising from lack of lateral clearance.

2.1.8 Tolerances on bridge alignment, profile and level over the design life

The design and construction of bridges shall be such that any long-term time related changes to the vertical profile of the bridge deck from the specified design levels (eg creep and shrinkage for a concrete structure, settlement of foundations and long term subsidence) are such that they do not exceed the following during the design life of the bridge:

- $\pm 25\text{mm}$ from the specified design levels for the substructure, and
- span/1000 from the specified design vertical alignment for the superstructure.

2.1.9 Access and provisions for inspection and maintenance

All parts of structures except buried surfaces shall be accessible for the purposes of inspection and maintenance. Details of proposed arrangements for inspection and maintenance, including provisions for access shall be given in the structure options report and the structure design statement.

Access shall generally be achievable using readily available proprietary mobile inspection equipment (including elevated work platforms, under bridge inspection units and roped access), with no need for fixed scaffolding.

Where this is not reasonably possible for a bridge (eg where the superstructure extends above deck level on through-truss and arch spans or where the superstructure is greater than 20m wide) a means of providing access to all areas of the superstructure soffit and pier tops shall be installed on the bridge (eg permanent walkways and working platforms), unless agreed otherwise by the road controlling authority.

A means of enabling the construction of a temporary working platform for the maintenance of structures shall be installed on structures where this cannot be readily achieved from the ground or no such permanent provision is present. This may require the provision of permanent fixing points.

For abutments the following elements shall be accessible for inspection and reachable for maintenance, generally from in front of the abutment:

- the front face of integral or semi-integral abutments or the front face of superstructure end diaphragms where the abutment is non-integral
- bearings to enable extraction and replacement, and also to position and withdraw jacks
- any drainage channel at the base of the abutment backwall, to enable accumulated debris to be cleared
- linkage bolts, and any rubber buffers installed on them.

2.1.9 continued

At abutments with spill-through slopes or mechanically stabilised earth walls or slopes in front of the abutment sill beam, this may be achieved by providing a level walkway access and working area at least 600mm wide in front of the abutment sill beam over the full length of the abutment. Where the abutment sill is supported on a vertical or near vertical retaining wall or vertical or near vertical mechanically stabilised earth wall and access to the abutment sill area and bearings can readily be gained using proprietary mobile inspection equipment, provision of the 600mm wide working area in front of the sill may be omitted.

Unbonded prestressing tendons or bars shall be accessible for inspection and shall be replaceable without the need for modification to adjacent structural elements.

At all supports where the bridge superstructure is supported on bearings, other than solid or voided deck slab bridges on strip bearings, provision shall be made for the superstructure to be able to be jacked for bearing replacement without the positioning of jacks unduly impeding access to the bearings for their removal and replacement. Bearings shall be replaceable under full HN live load, ie load combination 1A as defined in table 3.2.

Multi-beam bridge superstructures shall be provided with diaphragms or an equivalent permanent structure at the ends of each span designed to facilitate jacking of the bridge superstructure using the minimum number of jacks practicable. (As a guide, for simply supported spans of up to 35m this should be no more than one jack per 3.0m width of bridge deck, per support.) Design for jacking of the bridge shall accommodate continued use of the bridge by traffic while the jacking of spans is undertaken.

2.2 Geometric and side protection requirements

Carriageway and footpath widths, and horizontal and vertical clearances shall comply with appendix A as a minimum. Clearances over railways shall comply with the requirements of KiwiRail – New Zealand Railways Corporation.

Requirements for pedestrians, cyclists and equestrians shall be agreed with the road controlling authority. Guidance on criteria that may be appropriate may be found in appendix A. As a general principle, the widths of traffic lanes and shoulders, together with any additional facilities for pedestrians and cyclists on bridges or adjacent to retaining structures shall match, wherever practicable, those of the road on the approaches.

Side protection to all new structures, or replacement of side protection on existing structures, shall be provided in accordance with the requirements of AS/NZS 3845 *Road safety barrier systems*⁽⁵⁾ as implemented by the NZTA M23 *Specification for road safety barrier systems*⁽⁶⁾ and modified by appendix B. Barrier replacements shall, as far as practicable and as appropriate, utilise standard bridge barrier systems as detailed in NZTA M23⁽⁶⁾ appendix B.

Side protection is defined as the rail or barrier systems by which road users are restrained from leaving the carriageway or structure in an uncontrolled manner. A risk management approach to side protection selection is described in appendix B, clause B3. Means of compliance with the requirements, which are mandatory for work funded by the NZTA, are given in clauses B4 to B6.

2.3 Waterway design

2.3.1 General

The waterway design of bridges and culverts shall comply with the requirements of the Austroads *Waterway design - A guide to the hydraulic design of bridges, culverts and floodways*⁽⁷⁾ (*Waterway design*) except as amended in 2.3.2 to 2.3.6.

2.3.2 Design floods

a. General

Waterway design⁽⁷⁾ provides recommendations for the recurrence intervals of the floods that should be used for the various aspects of design, but does not provide specific standards, instead leaving these to roading authorities to define. This clause details the NZTA's standards for the recurrence intervals of floods for waterway design.

In designing a waterway crossing, consideration shall be given to the type of structure, typically a bridge or culvert, and to the impact of the structure on the waterway and surrounding environment, due to the structure and its approaches.

b. Overall design of total waterway

In the design of a waterway crossing, the total waterway shall be designed to pass an average recurrence interval (ARI) flood corresponding to SLS 2 probability of exceedance given in table 2.1 (herein after referred to as the SLS 2 flood) without significant damage to the road and waterway structure(s). The regional council or other territorial authority responsible for the waterway shall also be consulted to determine if the waterway needs to be designed for a flood greater than the SLS 2 flood event.

c. Design for climate change effects

Where it is practical and economic for a bridge or culvert structure to be retrofitted at a later date to accommodate increased flood flows arising from the effects of climate change, the structure need not initially be designed to accommodate increased flood flows arising from the effects of climate change. Where future retrofitting is not practical or does not reflect value for money, future climate change impacts shall be taken into account in the design. Assessment of the effects of climate change shall be based on the Ministry for the Environment manual *Climate change effects and impacts assessment*⁽⁸⁾ and other material based on more recent research published by reputable sources accepted by the road controlling authority. Where relevant, changes in sea level shall be assessed based on the Ministry for the Environment manual *Coastal hazards and climate change*⁽⁹⁾.

d. Serviceability limit state (SLS)

Level of serviceability to traffic: State highway waterway crossings shall pass floods of the ARI corresponding to the annual probability of exceedance for the SLS 2 flood event given in table 2.1 without interruption or disruption to traffic.

(ARI = 1/(annual probability of exceedance))

Damage avoidance: Bridges and their approaches shall be designed to withstand the effects of a 25-year ARI flood without sustaining damage (SLS 1 given in table 2.1).

e. Ultimate limit state (ULS)

For the ultimate limit state, bridges shall be designed for the effects of the ARI flood corresponding to the importance of the bridge and the annual probability of exceedance given in table 2.1. Collapse shall be avoided under the ULS event.

2.3.2 continued

In situations where the design flood for the ultimate limit state will substantially overtop the bridge structure, the intermediate stages in the flood height shall also be investigated and those stage heights that are most critical considered.

In situations where the bridge is integral with adjacent flood protection works, the design flood for the ultimate limit state could be substantially larger than the design flood for the flood protection works. In estimating the design flood level for the ultimate limit state, cognisance therefore needs to be taken of the potential for such protection works to be overtopped and for a proportion of the peak flood flow to bypass the bridge.

Similarly, where a bridge is sited on a floodplain with no upstream flood protection works present, estimation of the flood level for the ultimate limit state should take account of the potential for flood breakout upstream of the bridge with consequential bypassing of the bridge by a proportion of the peak flood flow.

2.3.3 Hydrology

a. Flood estimation methods

Where possible, design flood estimates shall be obtained from a flood frequency analysis of data from a hydrological gauging station in the vicinity of the bridge site. The hydrological flow record used for this analysis should preferably be at least 20 years long. The flood frequency analysis should use the probability analysis method that best fits the annual maxima series. Recognised probability analysis methods include the Gumbel, Log Pearson 3 and Generalised Extreme Value (GEV) methods. Probability analysis methods are described in the *Handbook of hydrology*⁽¹⁰⁾.

If there is no hydrological information available in the vicinity of the bridge site, then a site on the same river should be used. The flood estimates should be scaled by the ratio of the catchment areas to the power of 0.8 as discussed in *Flood frequency in New Zealand*⁽¹¹⁾, section 3:

$$Q_1/Q_2 = (A_1/A_2)^{0.8}$$

Where: Q = flood discharge.

A = catchment area.

Where there is no hydrological gauging station present on the river, flood estimates shall be obtained by using one of the following two methods. These replace the methods outlined in section 3 of *Waterway design*⁽⁷⁾:

- The rational method - in which a peak flow of a selected ARI is estimated as a function of the average rainfall intensity of the same ARI.
- The regional method - *Flood frequency in New Zealand*⁽¹¹⁾.

b. Rational method

The rational method is only applicable to small catchments because of its inability to account for the effects of catchment storage in attenuating the flood hydrograph. The recommended maximum size of the catchment to which the method should be applied is 25km² in urban catchments, and between 3 and 10km² for rural catchments. The rational method is described in *Australian rainfall and runoff*⁽¹²⁾ and the *Handbook of hydrology*⁽¹⁰⁾.

c. Regional method

Flood frequency in New Zealand⁽¹¹⁾ is a regional method suitable for all rural catchments except those in which there is snow-melt, glaciers, lake storage or ponding. It should be used for rural catchments greater than 10km². It can also be used for rural catchments between 3km² and 10km² but should be checked against the rational method.

2.3.3 continued

d. Estimation of the ultimate limit state design flood

The estimation of the ultimate limit state design flood shall be made based on a flood frequency analysis of available data as described in 2.3.3(a). Wherever possible the data shall be obtained from a hydrological flow gauging station at or near the site of the proposed bridge. It should be noted that the accuracy of design flood estimates depends on the length of flow record. Predictions beyond the 100-year ARI are not precise. Estimates for the ultimate limit state event shall be checked against gauging station data from other nearby catchments with similar hydrological characteristics.

If there is no hydrological flow data available at the bridge site, then a site on the same river, or alternatively a gauging site on a nearby river with similar hydrological characteristics, should be used as described in 2.3.3(a). Data from more than one site should be used to ensure that a degree of smoothing of extreme values occurs.

2.3.4 Hydraulics

a. Freeboard for level of serviceability to traffic

When considering the level of serviceability to traffic required by 2.3.2(d), the freeboards given in table 2.4 shall be used.

Table 2.4: Freeboard allowance for the level of serviceability to traffic

Waterway structure	Situation	Freeboard	
		Measurement points	Depth (m)
Bridge	Normal circumstances	From the predicted flood stage to the underside of the superstructure	0.6
	Where the possibility that large trees may be carried down the waterway exists		1.2
Culvert	All situations	From the predicted flood stage to the road surface	0.5

b. Waterways

In low-gradient silt- and sand-bed rivers determinations of Manning's n from sets of photographs, for example from *Roughness characteristics of New Zealand rivers*⁽¹³⁾, or from tables of values such as table 4.1 of *Waterway Design*⁽⁷⁾, should be taken as approximate only. Any possible backwater effects from downstream features should be investigated. Direct measurements should be obtained whenever possible.

In gravel-bed rivers, estimates of Manning's n shall be made using at least one formula, for example one of the 'rigid bed' formulae by Griffiths given in 2.3.4(c), as well as using *Roughness characteristics of New Zealand rivers*⁽¹³⁾. *Waterway design*⁽⁷⁾, table 4.1 is not appropriate to New Zealand rivers with gravel beds and shall not be used. If the formula in *Open channel flow*⁽¹⁴⁾ is used, a factor of 1.2 should be applied to the calculated values of Manning's n .

In all other rivers the estimation of Manning's n shall be the subject of a detailed hydraulic investigation.

2.3.4 continued

c. Griffiths formulae

The Griffiths formulae noted above are taken from *Flow resistance in coarse gravel bed rivers*⁽¹⁵⁾. The two 'rigid-bed' formulae recommended by Griffiths are:

$$1/\sqrt{f} = 1.33(R/d_{50})^{0.287}$$

$$1/\sqrt{f} = 1.98 \log_{10} (R/d_{50}) + 0.76$$

Where: f = Darcy-Weisbach friction factor.

R = hydraulic radius.

d_{50} = size for which 50% of the bed material is smaller.

f is related to Manning's n by the following formula:

$$n = 0.113\sqrt{f}R^{1/6}$$

2.3.5 Scour

The estimation of scour should be based on *Bridge scour*⁽¹⁶⁾. This publication replaces section 6 of *Waterway design*⁽⁷⁾.

The pier scour depth induced by debris rafts such as described in 3.4.8(c) and as shown in figure 2.2 shall be estimated using an equivalent pier width a_d^* from the equations:

$$a_d^* = \frac{K_{d1}(TW)(L/y)^{K_{d2}} + (y - K_{d1}T)a}{y} \quad \text{for } L/y > 1.0$$

$$a_d^* = \frac{K_{d1}(TW) + (y - K_{d1}T)a}{y} \quad \text{for } L/y \leq 1.0$$

Where: K_{d1} = 0.79 for rectangular debris, 0.21 for triangular debris.

K_{d2} = -0.79 for rectangular debris, -0.17 for triangular debris.

L = length of debris upstream from pier face (m). L shall be taken as lying within the range $0.4W < L < 1.3W$.

y = depth of approach flow (m).

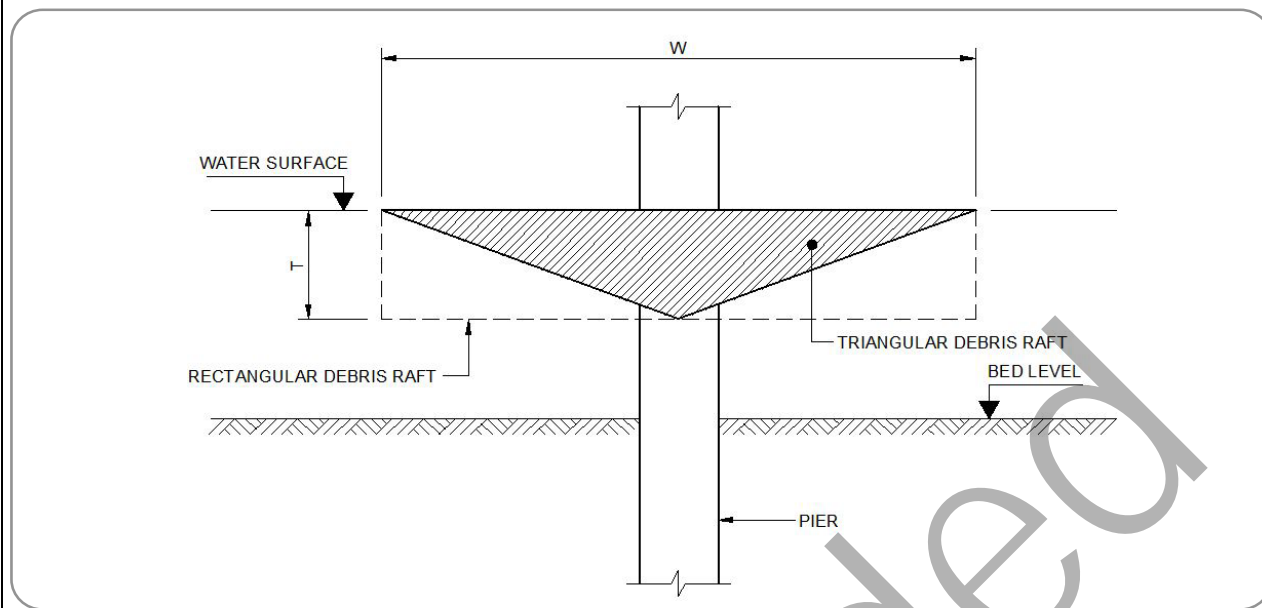
T = thickness of debris normal to flow (m), which shall be taken as the maximum rootball diameter of a tree likely to be transported by the river, (typically up to ~2m), or half the depth of the upstream flow, whichever is the greater, but not greater than 3.0m.

W = width of debris normal to flow (m), equal to the average of the span lengths either side of the pier, but not greater than the length of the largest tree likely to be transported by the river, or greater than 15m.

a = pier width (without debris) normal to flow (m).

2.3.6 Scour protection works

The security of the bridge structure shall be ensured for all flood events of ARI up to that of the design ultimate limit state event specified in table 2.1 for the importance level of the bridge. The design of scour protection works shall generally comply with the guidance provided in *Bridge scour*⁽¹⁶⁾. Where the use of gabions or reno mattresses are proposed to be used as scour protection works, the design shall comply with the design procedure given in appendix F of *Countermeasures to protect bridge piers from scour*⁽¹⁷⁾.

Figure 2.2: Debris raft for pier scour assessment

2.4 Site investigations

All structure sites shall be subject to appropriate geotechnical and geological investigations, sufficient to enable a geotechnical assessment to be undertaken to ensure that a safe, economical and practical design can be developed. The purpose of a geotechnical assessment is to:

- Identify and manage geotechnical risks that may influence the performance of the structure (eg liquefaction, slope instability).
- Provide geotechnical input into the design of the structure (eg soil loads, soil strength and stiffness).

The investigations shall establish the characteristics of the surface and subsurface soils and rocks, their behaviour when loaded and during construction, the nature and location of any faulting, and the groundwater conditions. Site conditions and materials affecting the construction of the structure shall also be determined.

Investigations normally consist of three phases:

- a. Preliminary investigations, consisting of compilation of general data, walkover survey and, where appropriate, some boreholes and laboratory tests.
- b. Detailed field investigations and laboratory tests, before final design.
- c. Investigations during construction, as appropriate.

Information obtained from site investigations shall be presented in an investigation report. Borehole logs, soil descriptions and testing shall comply with current practice, as presented in documents published by Standards New Zealand, New Zealand Geotechnical Society, British Standards Institution or similar. These investigations shall include interpretation of all available data by suitably qualified personnel and recommendations as to foundation and retaining structure types, cut and fill slopes and design parameters, and the need for proof testing, pilot drilling or other confirmatory investigation during construction.

2.5 Influence of approaches

The influence of approach embankments and cuttings on bridges and retaining structures shall be considered, including:

- immediate gravity effects
- seismic effects
- long-term settlement effects
- loading from slope material, which may fall onto a deck.

The effects of approach settlement and stability on the riding characteristics, traffic safety and performance of abutment components shall be considered.

2.6 Urban design

2.6.1 What is urban design?

Urban design is a design discipline that seeks to create desirable places for people to live, work and play. It involves the design and placement of buildings, roads, rail, open spaces, towns and cities. It focuses on the relationship between built form, land use and open space, natural features and human activity. Good urban design creates spaces that function well, have a distinctive identity and visual appeal.

As a signatory to the New Zealand Urban Design Protocol, the NZTA is committed to planning for, developing and promoting quality urban design. The challenge is to incorporate this commitment into all aspects of the NZTA's business. The NZTA's *Environment and social responsibility policy*⁽¹⁸⁾ requires that good urban design be integrated into all the NZTA's activities. This extends to the placement and design of bridges and other highway structures.

2.6.2 Aesthetics vs function

The design and placement of bridges and other highway structures that form part of the highway network influence the quality of the environment, both in terms of visual appearance and how these areas function. Urban design is concerned with both these dimensions of highway structures design.

The appearance or aesthetics of highway structures depends on their overall form and proportions, on the design coherence of their various components (abutment walls, side barriers, piers, soffit, etc) and on the quality of their detailing and finishes.

The functional aspects of highway structures that have an urban design dimension relate to how the structures support local movements by foot, cycles and vehicles and how they complement the scale and use of the surrounding land, buildings and spaces.

Further guidance on function and aesthetics of highway structures is provided by the NZTA's *Bridging the gap: Urban design guidelines*⁽¹⁹⁾ and other references as noted in 2.6.4.

2.6.3 Urban design assessment for bridges

New or replacement bridges that are visible from surrounding communities, public open spaces or the highway itself, and bridges that are located in landscape sensitive areas (eg along scenic routes or in areas identified as outstanding landscape in the district plan) will require an urban design assessment.

The matrix in table 2.5 is to guide urban design decision making in relation to bridges. The aim of the matrix is to assist in the high level assessment of the urban design considerations for a bridge.

The assessment will then guide the subsequent stages of design. The assessment shall be undertaken once a preferred route option has been chosen and shall be reported in the preliminary structure options report and updated in the subsequent structure options report and structure design statement. On large or complex projects, the urban design considerations that have influenced the bridge design and any design principles proposed to guide the detailed design must also be documented in the project's *Urban and landscape design framework*.

It is expected that the urban design response for a specific bridge will be appropriately calibrated to the outcome of the assessment. It is important that the design rationale for a bridge design response can be communicated and understood. That urban design response should refer to the guidance in *Bridging the gap: Urban design guidelines*⁽¹⁹⁾ and the other references noted in 2.6.4.

The matrix assessment will be undertaken by an appropriately qualified landscape architect or urban designer.

Both the visual and functional aspects of bridges require consideration in terms of sections 6 and 7 of the Resource Management Act 1991⁽²⁰⁾ (RMA) when seeking a designation or resource consents. This typically involves an assessment of the bridge under both the *Landscape and visual assessment of effects* and the *Urban design assessment of effects*. Both these technical reports underpin the *Assessment of environmental effects* for the project.

2.6.4 Appearance

Careful consideration shall be given to the appearance or aesthetics of the structure.

Further guidance on the principles involved in designing for aesthetics may be obtained from the following references:

- NSW Roads and Maritime Services *Bridge aesthetics: Design guidelines to improve the appearance of bridges in NSW*⁽²¹⁾.
- Fédération Internationale du Béton *Guidance for good bridge design*⁽²²⁾.
- UK Highways Agency *The appearance of bridges and other highway structures*⁽²³⁾.

Table 2.5: Urban design bridge assessment matrix

Urban design bridge assessment matrix <i>Comment in each column for each bridge location (there may be more than 2 locations on any section of roading project - add further columns as required) as to the level of importance and a brief explanatory comment</i>				
Assessment matter	Explanation as to importance for urban design attention	Measure types that may be used to gain an understanding of importance	Location A	Location B
Underlying natural environment	<p>Does the context have underlying characteristics that will be affected by the bridge or suggest a certain form of bridge response?</p> <p>For example consider topography, natural features such as vegetation, ecology or landscape</p>	<p>Planning documents (district or regional plans)</p> <p>Landscape assessments</p> <p>Urban design contextual analysis</p> <p>Preliminary assessment undertaken as part of project</p>		
Circulation	<p>Is there an existing or likely future (eg from planned urban development) circulation pattern or network that will be affected by the bridge or suggest a certain form of bridge response?</p> <p>For example consider what level of use occurs (or may be planned to occur) in the bridge location?</p> <p>Demographic profile also of interest as older people/children more vulnerable to level changes/safety and less likely to have access to a vehicle.</p>	<p>LAMS (Local Area Movement Surveys)</p> <p>Counts including school travel plans</p> <p>Network monitoring</p> <p>Demographic profile for area</p> <p>Urban growth plans</p>		
Activities	<p>Are the existing or likely future (eg from planned development) activities in the vicinity affected by the bridge or suggest a certain form of bridge response?</p> <p>For example consider access to existing properties, accessibility to activities of local importance such as schools.</p>	<p>District Plan</p> <p>Urban growth plans, transport strategies</p> <p>Urban design contextual analysis</p> <p>Preliminary assessment undertaken as part of project</p>		
Built form	<p>Is the existing or likely future (eg from planned development) urban form affected by the bridge or suggest a certain form of bridge response?</p> <p>For example consider whether the bridge is at a key nodal point in the network (eg at an interchange, town centre, key turn off)?</p> <p>What is the fit with the scale of the built form in the area?</p>	<p>Network analysis (transportation plans)</p> <p>Urban growth plans</p> <p>Urban design contextual analysis</p>		
Amenity	<p>Is the location amenity affected by the bridge or suggest a certain form of bridge response?</p> <p>For example consider how many people will view the bridge- ie live near the location or pass by frequently?</p> <p>What is the visibility of the bridge from the point of view of the highway user?</p> <p>What is affect on shading or tranquillity of the location?</p>	<p>Inter visibility assessment</p> <p>Landscape assessments</p> <p>Urban design contextual analysis</p> <p>Preliminary assessment undertaken as part of project</p>		

2.7 Special studies

Special studies are required when:

- a structural form or method of construction is proposed which is not covered by accepted standards or design criteria (eg to determine design parameters, safety factors or durability)
- non-conventional materials are to be applied, the technology of which is still undergoing significant development (conventional materials include concrete, steel, timber, engineered soils, natural soils, geogrid reinforcements and geotextiles)
- site-specific studies are undertaken to define the exposure classification associated with durability requirements or the seismic hazard spectra for earthquake response analysis.

Special studies shall be documented in complete reports, included as appendices to the structure options report or structure design statement. This documentation shall include, as appropriate:

- the source of all data
 - demonstration that the study has provided appropriate evaluation of the particular structural performance being investigated
 - reference to relevant national and international standards and guidelines, and published peer reviewed papers
 - comparison of the results with other data
 - a description of the analytical methods used
 - details of the organisation/individual who has undertaken the special study
 - a brief outline of the experience and capability of the agency and personnel undertaking the special study.
-

2.8 References

- (1) Parliamentary Counsel Office (1992) Building Regulations 1992. Schedule 1 *The building code*. Wellington.
- (2) Standards Australia and Standards New Zealand jointly AS/NZS 1170.0:2002 *Structural design actions*. Part 0 General principles.
- (3) NZ Transport Agency (2010) *Procurement manual: for activities funded through the National Land Transport Programme*, Procurement manual tools, Latest cost index values for infrastructure. Last accessed 28 April 2013 <www.nzta.govt.nz/resources/procurement-manual/procurement-tools.html>.
- (4) Standards New Zealand NZS 3101.1&2:2006 *Concrete structures standard*.
- (5) Standards Australia and Standards New Zealand jointly AS/NZS 3845:1999 *Road safety barrier systems*.
- (6) NZ Transport Agency (2009) *NZTA M23 Specification for road safety barrier systems*. Wellington.
- (7) Austroads (1994) *Waterway design - A guide to hydraulic design of bridges, culverts and floodways*. Sydney, NSW, Australia.
- (8) Ministry for the Environment (2008) *Climate change effects and impacts assessment: A guidance manual for local government in New Zealand - 2nd edition*. Wellington.
- (9) Ministry for the Environment (2008) *Coastal hazards and climate change: A guidance manual for local government in New Zealand - 2nd edition*. Wellington.
- (10) Maidment DR (1993) *Handbook of hydrology*. McGraw - Hill Inc. New York, NY, USA.
- (11) McKerchar AI and Pearson CP (1989) *Flood frequency in New Zealand*. Publication No. 20, Hydrology Centre, Department of Scientific and Industrial Research, Christchurch.
- (12) Institution of Engineers, Australia (1987) *Australian rainfall and runoff: A guide to flood estimation*, Vol. 1, revised edition 1987 (reprinted edition 1998). Barton, ACT, Australia.
- (13) Hicks DM and Mason PD (1998) *Roughness characteristics of New Zealand rivers*. National Institute of Water and Atmospheric Research, Water Resources Publications, LLC. Highlands Ranch, CO, USA.
- (14) Henderson FM (1966) *Open channel flow*. MacMillan, New York, NY, USA.
- (15) Griffiths GA (1981) *Flow resistance in coarse gravel bed rivers*. Proc. ASCE *Journal of the Hydraulics Division*, Vol. 107, No. 7, July 1981, pp. 899-918.
- (16) Melville BW and Coleman SE (2000) *Bridge scour*. Water Resources Publications, LLC. Highlands Ranch, CO, USA.
- (17) Transportation Research Board (2007) *Countermeasures to protect bridge piers from scour*. National Cooperative Highway Research Program report 593, Washington DC, USA.

-
- (18) NZ Transport Agency (2012) *Environmental and social responsibility policy manual*. Last accessed 28 April 2013.
<www.nzta.govt.nz/resources/environmental-and-social-responsibility-manual/docs/environmental-and-social-responsibility-manual.pdf>
 - (19) NZ Transport Agency (2013) *Bridging the gap: Urban design guidelines*. Wellington. In prep.
 - (20) Parliamentary Counsel Office (1991) *Resource Management Act 1991*. Wellington.
 - (21) Roads and Maritime Services (2012) *Bridge aesthetics: Design guidelines to improve the appearance of bridges in NSW*. Sydney, NSW, Australia.
 - (22) Fédération Internationale du Béton (2000) *Guidance for good bridge design*. Lausanne, Switzerland.
 - (23) Highways Agency (1996) *The appearance of bridges and other highway structures*. HMSO, London, United Kingdom.
-

Superseded

3.0 Design loading

In this section

	Section	Page
3.1	Introduction	3-2
3.2	Traffic loads - gravity effects	3-2
3.3	Traffic loads - horizontal effects	3-6
3.4	Loads other than traffic	3-7
3.5	Combination of load effects	3-17
3.6	References	3-20

3.1 Introduction

All structures shall be designed for the following loads, which shall be considered to act in various combinations as set out in 3.5, except for lightly trafficked rural bridges - refer to appendix D.

3.2 Traffic loads - gravity effects

3.2.1 General

Traffic loading shall be HN-HO-72. A detailed description of this loading and its application is given below. The loads described shall be used for design of all members from deck slabs to main members and foundations.

In 2004 the design traffic loading, HN-HO-72, was modified by the introduction of a 1.35 load factor applied to normal live load in the serviceability limit state (SLS) load combinations.

In 2013 the NZTA commissioned research report RR 539 *A new vehicle loading standard for road bridges in New Zealand*⁽¹⁾ was published. Subsequent to this research a review of vehicle live load models, load combinations and load factors to be used has commenced. Until this work is completed and any revisions published, the current provisions of the *Bridge manual* shall be followed.

3.2.2 Loads

a. HN (normal) loading

An element of normal loading represents a single stream of legal traffic and is the load applied to a 3m-wide strip of deck, running the entire length of the structure. It is shown diagrammatically in figure 3.1. The element consists of two parts.

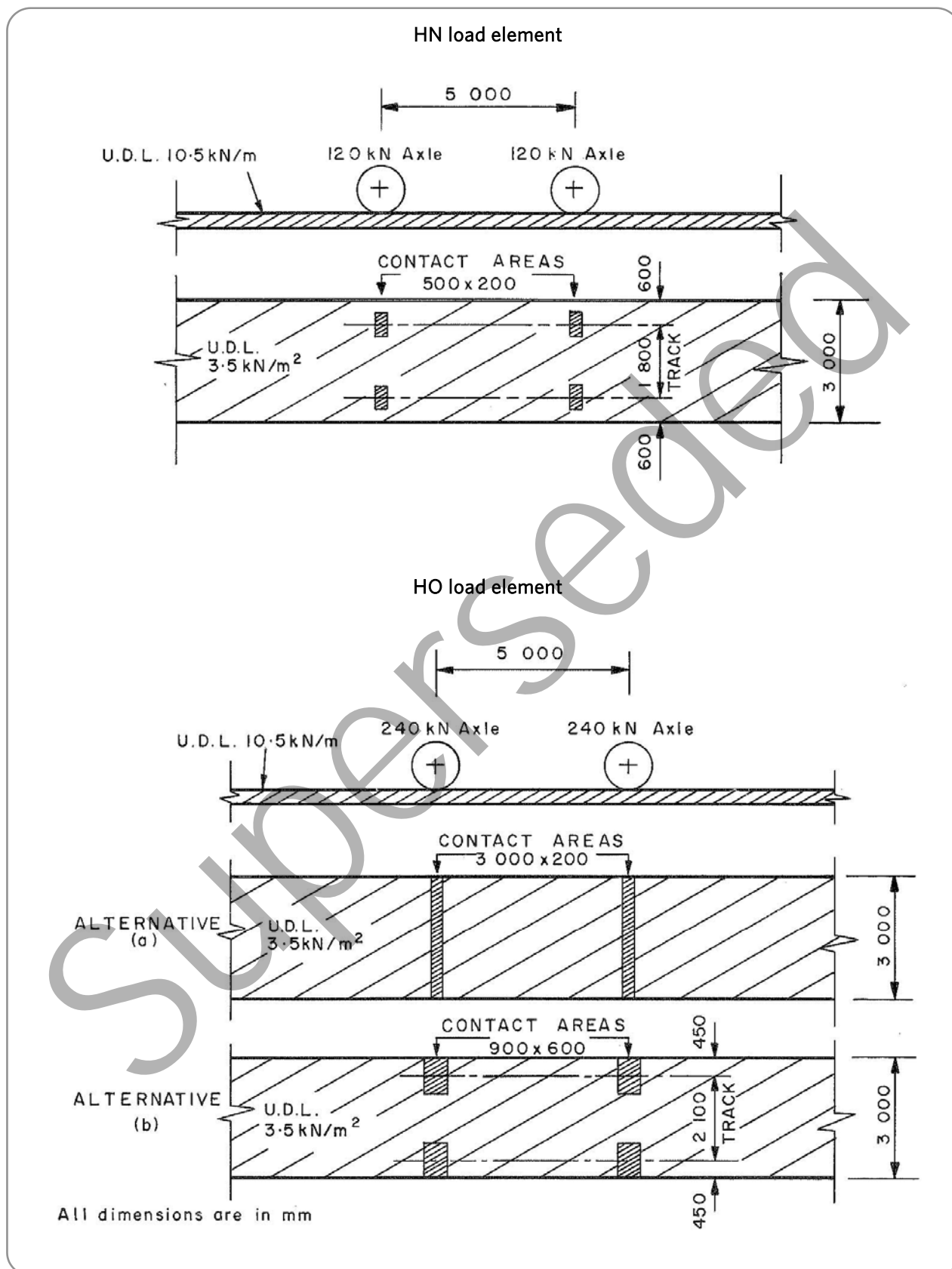
The first is a uniform load of 3.5kN/m², 3m wide, which may be continuous or discontinuous over the length of the bridge, as necessary to produce the worst effect on the member under consideration.

In addition to the uniform load, a pair of axle loads of 120kN each, spaced at 5m, shall be placed to give the worst effect on the member being designed. Only one pair of axle loads shall exist in each load element, regardless of the length of bridge or number of spans. For design of deck slabs, the wheel contact areas shown shall be used, but for design of other members, such detail is unnecessary and point or line loads may be assumed.

b. HO (overload) loading

An element of overweight loading is also shown diagrammatically in figure 3.1. It consists of, firstly, the same uniform load as described above. In addition, there is a pair of axle loads of 240kN each, spaced at 5m. In this case, there are two alternative wheel contact areas, and the one that has the most adverse effect on the member being considered shall be used.

Figure 3.1: HN-HO-72 traffic loading



3.2.3 Transverse load position

- a. The above load elements shall be applied to an area defined as the carriageway. The carriageway includes traffic lanes and shoulders. Raised or separated footpaths, cycle tracks or medians shall not be included in the carriageway unless the possibility of future reconfiguration of the carriageway is identified as a design requirement. On bridges the carriageway is bounded by either the face of a kerb or the face of a guardrail or other barrier.
- b. The carriageway shall be divided into a number of load lanes of equal width as follows:

Width of carriageway	Number of load lanes
Less than 6m	1
6m but less than 9.7m	2
9.7m but less than 13.4m	3
13.4m but less than 17.1m	4
17.1m but less than 20.8m	5

Note: Load lanes as defined above are not to be confused with traffic lanes as physically marked on the road surface.

- c. For global effects, typically the design of main members, the load elements shall be applied within each load lane as defined above, but may have as much eccentricity within the lane as their width of 3m allows. Even if the number of traffic lanes as finally marked on the bridge will be different from that obtained from the table above, the number tabulated shall be used for design purposes.
- d. For local effects, typically the design of deck slabs and their immediate supporting members (deck stringers and transoms etc), load elements are not restricted by the lanes as above but shall be placed anywhere within the carriageway, at such spacing as will give the worst effect, but not less than 3m centres transversely.
- e. In order to represent a vehicle which has penetrated the guardrail, handrail or other barrier, or has mounted the kerb, if any, any slab and supporting members outside the carriageway shall be checked under HN wheel loads factored by the dynamic load factor. The wheels shall be positioned with their outer edge at the outer edge of the slab or kerb or anywhere inboard of that line. This may be treated as a load combination 4 (overload).

3.2.4 Combination of traffic loads

Two combinations of traffic loads shall be used for ultimate and serviceability limit state design purposes:

- a. Normal live load

In this combination, as many elements of HN loading shall be placed on the bridge as will give the worst effect on the member being considered, complying with the rules for positioning set out in 3.2.3.

- b. Overload

In this combination, any one element of HN loading in the live load combination shall be replaced by an element of HO loading, chosen so as to give the most adverse effect on the member being considered.

3.2.4 continued

To allow for the improbability of concurrent loading, where appropriate, the total loading may be multiplied by a factor varying according to the number of elements (ie lanes loaded) in the load case, thus:

Number of load elements (lanes loaded)	Reduction factor
1	1.0
2	0.9
3	0.8
4	0.7
5	0.6
6 or more	0.55

This reduction factor shall be applied to the overload as well as the normal live load.

For the design of individual structural members, the number of load lanes that are loaded, applied in conjunction with the corresponding reduction factor, shall be selected and positioned to maximise the load effect on the structural member under consideration.

3.2.5 Dynamic load factor

Normal live load and overload shall be multiplied by the dynamic load factor applicable to the material and location in the structure of the member being designed.

The dynamic load factor for use in the design of all components which are above ground level shall be taken from figure 3.2.

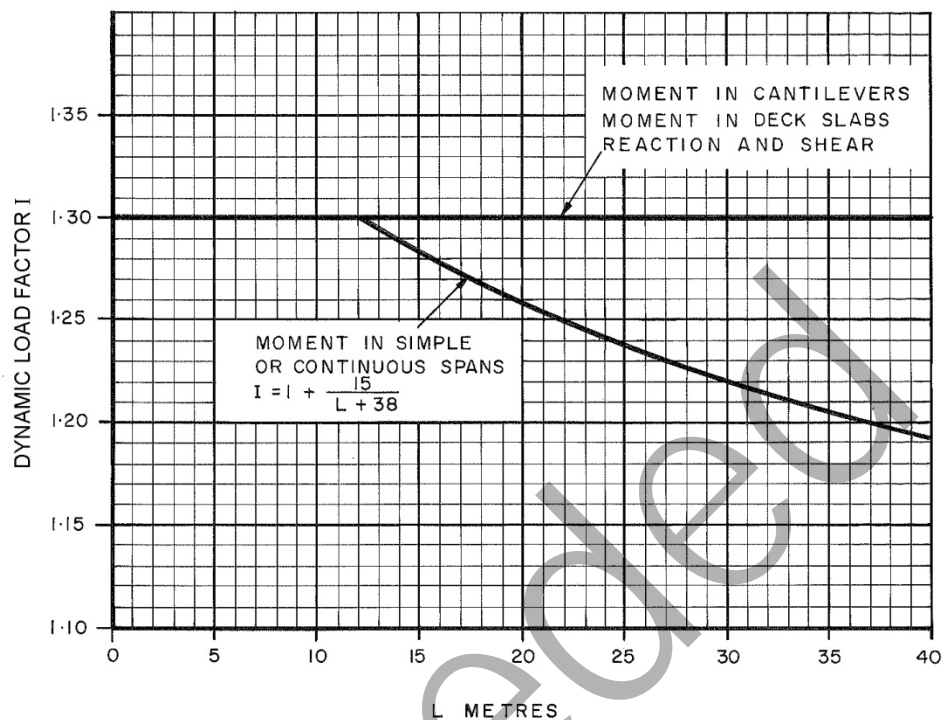
The dynamic load factor for use in the design of components which are below ground level shall be 1.0, to allow for the fact that vibration is damped out by the soil, except that for top slabs of culvert type structures, the dynamic load factor shall be reduced linearly with depth of fill, from 1.30 for zero fill to 1.00 for 1m of fill.

3.2.6 Fatigue

The loading used in the fatigue assessment of steel bridges shall at least represent the expected service loading over the design life of the structure, including dynamic effects. This should be simulated by a set of nominal loading events described by the distribution of the loads, their magnitudes, and the number of applications of each nominal loading event.

A standard fatigue load spectrum for New Zealand traffic conditions is not available. In the interim, steelwork may be designed for the effects of fatigue in accordance with AS 5100.6 *Bridge design* part 6 Steel and composite construction⁽¹⁾ as modified by the New Zealand Heavy Engineering Research Association document *Recommended draft fatigue design criteria for bridges version 3*⁽²⁾. The draft fatigue design criteria shall be amended so that the fatigue design traffic load is applied in each marked traffic lane rather than the design lanes.

In a case where fatigue details significantly influence the design, an appropriate loading spectrum shall be developed, taking account of current and likely future traffic.

Figure 3.2: Dynamic load factor for components above ground level and for bearings

L is the span length for positive moment and the average of adjacent span lengths for negative moment.

3.3 Traffic loads - horizontal effects

3.3.1 Braking and traction

For local effects, a horizontal longitudinal force, equal to 70% of an HN axle load, shall be applied across the width of any load lane at any position on the deck surface to represent a skidding axle.

For effects on the bridge as a whole, a horizontal longitudinal force shall be applied at deck surface level in each section of superstructure between expansion joints. The magnitude of the force shall be the greater of two skidding axle loads as above, or 10% of the live load which is applied to the section of superstructure, in each lane containing traffic headed in the same direction. In some cases, eg on the approach to an intersection or for a bridge on a grade, it may be appropriate to allow for a greater force.

Consequent displacement of the structure shall be allowed for.

3.3.2 Centrifugal force

A structure on a curve shall be designed for a horizontal radial force equal to the following proportion of the live load. The reduction factors of 3.2.4 shall be applied but the dynamic load factor of 3.2.5 shall not be applied.

$$C = 0.008S^2/R$$

Where: C = centrifugal force as a proportion of live load

S = design speed (km/h)

R = radius (m)

3.3.2 continued The force shall be applied 2m above the road surface level, but the consequent variation in wheel loads need not be considered in deck design. Consequent displacement of the structure shall be allowed for.

3.4 Loads other than traffic

3.4.1 Dead load This shall consist of the weight of the structural members and any other permanent load added, or removed before the structural system becomes complete. When calculating the weight of concrete members, care shall be taken to use a density appropriate to the aggregates available in the area, plus an allowance for embedded steel.

3.4.2 Superimposed dead load This shall consist of all permanent loads added after the structural system becomes complete. It shall include handrails, guardrails, barriers, lamp standards, kerbs, services and road surfacing. Surfacing shall be allowed for at 1.5kN/m^2 whether the intention is to surface the bridge immediately or not. Where a levelling course is applied, the weight of the levelling course shall be in addition to the 1.5kN/m^2 superimposed dead load allowance for bridge deck surfacing.

An allowance shall be made for future services in addition to the weight of actual services installed at the time of construction. A minimum allowance of 0.25kN/m^2 for future services shall be applied as a uniformly distributed load over the full width and length of the bridge deck.

3.4.3 Earthquake The design shall allow for the effects of earthquakes by considering:

- the possibility of earthquake motions in any horizontal direction
- the potential effects of vertical earthquake motions
- the available structure ductility.

The magnitude of the force due to the inertia of the structure, and the required structure ductility, shall be obtained from section 5. Earthquake effects on ground and soil structures (eg embankments, slopes and independent retaining walls) are specified in section 6. The earthquake increment of soil pressure acting on a structure shall be treated as an earthquake load when combining loads into load combinations as specified in 3.5.

In considering the stability and displacement of ground and soil structures (including earth retaining walls), unweighted peak ground accelerations, as specified in section 6, shall be used as the basis for deriving the earthquake loads acting.

In considering the strength design of structures (including locked-in structures and retaining walls), magnitude weighted peak ground accelerations, as specified in section 5, shall be applied in deriving the earthquake increment of soil pressure acting on the structure.

3.4.4 Shrinkage, creep and prestressing effects

The effects of shrinkage and creep of concrete, and shortening due to prestressing shall be taken into account. Transmission of horizontal forces from superstructure to substructure by bearing restraint shall be allowed for.

In the derivation of forces imposed on the structure due to these effects, consideration shall be given to the likelihood of cracking occurring in reinforced concrete piers and the influence this will have on their section rigidity. An appropriately conservative assessment of the forces to be adopted for the design of the structure shall therefore be made. The effects of creep in the pier in reducing the forces may be taken into account.

3.4.4 continued

In composite structures, differential shrinkage and creep between elements shall be allowed for.

The secondary effects of shrinkage, creep and prestressing shall be allowed for in continuous and statically indeterminate structures.

Appropriate load factors for the effects of shrinkage and creep (SG) and prestressing (PS) are given in tables 3.1 and 3.2.

3.4.5 Wind

- a. Wind load shall be applied to a bridge in accordance with the principles set out in BS 5400-2 *Steel concrete and composite bridges* part 2 Specification for loads⁽³⁾ clause 5.3 contained within BD 37 *Loads for highway bridges*⁽⁴⁾ appendix A, giving consideration to wind acting on adverse and relieving areas as defined in clause 3.2.5 of that standard. For footbridges with spans exceeding 30m for which aerodynamic effects may be critical, the principles forming the basis of BD 49 *Design rules for aerodynamic effects on bridges*⁽⁵⁾ shall be applied.
- b. The design gust wind speeds acting on adverse areas of a bridge without live load being present, for the ultimate and serviceability limit states shall be calculated in accordance with AS/NZS 1170.2 *Structural design actions* part 2 Wind actions⁽⁶⁾ clauses 2.2 and 2.3 for the annual probability of exceedance corresponding to the importance of the bridge as defined in 2.1.3.

The design gust wind speeds acting on relieving areas of a bridge without live load being present shall be derived from the following equation:

$$V_r = \frac{V_a S_c T_c}{S_b T_g}$$

Where: V_r = design gust wind speed acting on relieving areas

V_a = design gust wind speed acting on adverse areas

S_c, T_c, S_b and T_g are factors defined in and derived from BS 5400-2⁽³⁾ clause 5.3, contained within BD 37⁽⁴⁾ appendix A.

The height of a bridge shall be measured from ground level or minimum water level to the deck level.

For the case where wind load is applied to a bridge structure and live load (including pedestrian loading) on the bridge, as defined in (a) above, the maximum site gust wind speed acting on adverse areas shall be the lesser of 37m/s and V_a m/s as specified above, and the effective coexistent value of wind gust speed acting on parts affording relief shall be taken as the lesser of $37 \times S_c/S_b$ m/s and V_r m/s, as specified above.

- c. Wind forces shall be calculated using the method of BS 5400-2⁽³⁾ clauses 5.3.3 to 5.3.6, contained within BD 37⁽⁴⁾ appendix A.

3.4.6 Temperature effects

Temperature effects shall be allowed for in the design under the following load cases, which shall be treated as able to act separately or concurrently:

- a. Overall temperature changes

Allowance shall be made for both forces and movements resulting from variations in the mean temperature of the structure, as below:

For steel structures	±25°C
For concrete structures	±20°C

3.4.6 continued

In the derivation of forces imposed on the structure due to these effects, consideration shall be given to the likelihood of cracking occurring in reinforced concrete piers and the influence this will have on their section rigidity. An appropriately conservative assessment of the forces to be adopted for the design of the structure shall therefore be made.

b. Differential temperature change

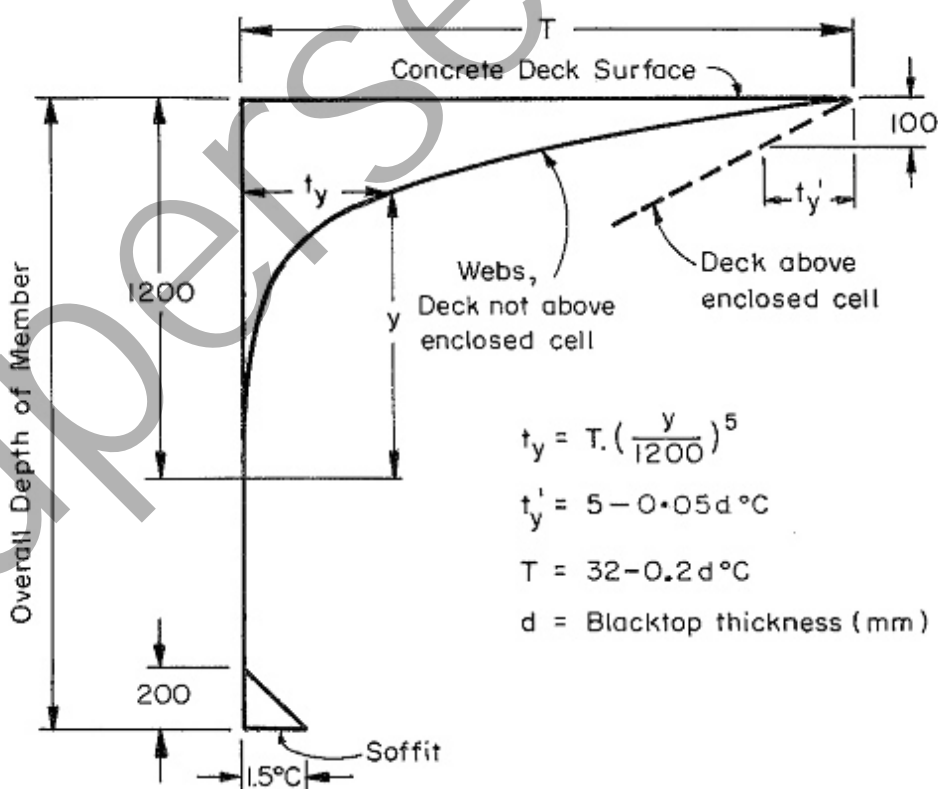
Allowance shall be made for stresses and movements, both longitudinal and transverse, resulting from the temperature variation through the depth of the structure shown in figure 3.3. The effects of vertical temperature gradients shall be derived for both positive differential temperature conditions (where the top surface is hotter than the average temperature of the superstructure) and negative temperature differential conditions (where the top surface is colder than the average temperature of the superstructure).

The criteria shall be used for all structural types and all materials except timber.

In the case of a truss bridge, the temperature variation shall be assumed to occur only through the deck and stringers, and any chord members attached to the deck, and not through web members or chord members remote from the deck.

For analysis of reinforced concrete members under differential temperature, the properties of the cracked section shall be used.

Figure 3.3: Temperature variation with depth

**Notes:**

- (i) For structures shallower than 1400mm the two parts of the solid curve are to be superimposed.
- (ii) On a bridge that is to be surfaced, the temporary unsurfaced condition shall also be checked. For this condition load combination 5B should be used, with the value of T reduced to 27°C for the differential temperature load case.
- (iii) The negative temperature variation to be considered shall be taken as that for bridge type 1 from figure 17.3 of AS 5100.2 *Bridge design part 2 Design loads*⁽⁷⁾. The value of T shall be set at 22°C (ie an assumed blacktop thickness of 50mm).

3.4.7 Construction and maintenance loads

Allowance shall be made for the weight of any falsework or plant that must be carried by the structure because of the anticipated methods of construction and maintenance. This does not obviate the necessity of checking, during construction and maintenance, the capacity of the structure for the contractor's actual equipment.

All elements of structures that will be subjected to construction and maintenance loading (eg the bottom flange of box girders) shall be designed for a minimum access loading of 1.5kN/m², which need not act concurrently with traffic live loads.

3.4.8 Water pressure

Loads due to water pressure shall be applied to a bridge in accordance with AS 5100.2⁽⁷⁾ clause 15 except as modified below:

a. Modification to AS 5100.2⁽⁷⁾ clause 15.2.1

In place of the 2000-year average recurrence interval (ARI) specified, the upper limit of the ultimate limit state ARI shall be taken as the inverse of annual probability of exceedance for the ultimate limit state given in table 2.1 of this manual.

Where the critical design condition occurs at an ARI of less than the upper limit of the ultimate limit state ARI₁, the ultimate limit state load factor (γ_{FL}) shall be taken as:

$$\gamma_{FL} = 2 - \left(\frac{1}{\log\left(\frac{ARI_1}{20}\right)} \right) \times \left(\log\left(\frac{ARI}{20}\right) \right)$$

b. Modification to AS 5100.2⁽⁷⁾ clause 15.2.2

In place of the 20 ARI serviceability design flood, the ARI of the serviceability limit state design flood shall be taken as the inverse of the annual probability of exceedance for the relevant serviceability limit state (SLS 1 or SLS 2) given in table 2.1 of this manual.

c. Modification to AS 5100.2⁽⁷⁾ clause 15.5.1

The depth of the debris mat varies depending on factors such as catchment vegetation, available water flow depth and superstructure span. In the absence of more accurate estimates, the minimum depth of the debris mat shall be half the water depth, but not less than 1.2m and not greater than 3m.

Both triangular shaped and rectangular shaped debris mats shall be considered (see 2.3.5 and figure 2.2 of this manual).

3.4.9 Groundwater on buried surfaces

Groundwater pressures shall be based on the groundwater levels and pressures measured from an appropriate programme of site investigations, with allowance for seasonal, long term and weather dependent fluctuations, and considering the reliability and robustness of any drainage measures incorporated in the design. Consideration shall also be given to flood situations and also incidents such as possible break in any water pipes or other drainage services.

The groundwater pressure shall correspond to not less than the groundwater level with a 1/50 annual probability of exceedance. Conservatively the groundwater level may be taken as being at the ground surface provided that artesian or sub-artesian pressures are not present.

3.4.10 Water ponding

The load resulting from water ponding shall be calculated from the expected quantity of water that can collect when primary drainage does not function.

3.4.11 Snow

Snow loading need only be considered at the ultimate limit state for footbridges.

The design snow load shall be determined from AS/NZS 1170.3 *Structural design actions* part 3 Snow and ice actions⁽⁸⁾ for the annual probability of exceedance corresponding to the importance of the footbridge as defined in 2.1.3.

3.4.12 Earth loads

a. Earth loads shall include horizontal static earth pressure (active, at-rest, passive and compaction), horizontal earthquake earth pressure, vertical earth pressure and surcharge pressure. It also includes negative skin friction (downdrag) loads on piles.

b. Earth retaining members shall be designed for either static earth pressure plus live load surcharge where appropriate or earthquake earth pressure in accordance with 6.2.4, whichever is more severe. Water pressure shall also be allowed for unless an adequate drainage system is provided.

For global analysis (of the whole structure), live load effects may be assumed equal to those of a surcharge pressure, in the case of HN (normal) traffic loading, 12kPa and in the case of HO (overload) traffic loading, 24kPa.

For localised wheel load or other point load effects acting on retaining walls a method based on Boussinesq's equations or similar appropriate method shall be applied.

In calculating static earth pressures, consideration shall be given to the influence of wall stiffness, foundation and tie-back stiffness (where appropriate) and the type, compaction and drainage provisions of the backfill. Active, at-rest or passive earth pressure shall be used as appropriate.

In some structures, for example concrete slab frame bridges, an increase in static earth pressure reduces the total load effect (eg moment) in some positions in the structure. When calculating the total load effect at those positions, a maximum of half the benefit due to static earth pressure shall be used in the load combination. Loads on foundations due to downdrag (or negative friction) and to plastic soil deformation, shall be included.

c. In combining load effects, as specified in 3.5, the various loads transmitted by the soil shall be treated as follows:

- Horizontal static earth pressure, vertical earth pressure, and negative skin friction shall be treated as earth pressures (EP).
- Surcharge simulation of HN loading in some or all lanes shall be treated as a traffic live load (LL).
- Surcharge simulation of HO loading in one lane with HN loading in some or all other lanes shall be treated as a traffic overload (OL).
- The earthquake increment of soil pressure (ΔP_e) shall be treated as an earthquake load (EQ).
- Pressure due to water shall be treated as a ground water loading (GW).

d. The effects of earthquake induced site instability, differential movements and liquefaction shall be considered as specified in section 6.

3.4.13 Loads on kerbs, guardrails, barriers and handrails

Kerbs, guardrails, barriers and handrails shall be designed in accordance with appendix B.

3.4.14 Loads on footpaths and cycle tracks

- a. A footpath or cycle track not considered as part of the carriageway in accordance with 3.2.3(a) shall be designed for a uniformly distributed load as follows:
 - When traffic loads are not considered in the same load case, 5.0kPa.
 - When traffic loads are considered in the same load case, between the limits of 1.5 and 4.0kPa as given by the expression $5.0 - S/30$, where S, the loaded length in metres, is that length of footpath or cycle track which results in the worst effect on the member being analysed.

The structure shall also be checked for an overload case consisting of the HN wheel loads in accordance with 3.2.3(e).

- b. A footpath or cycle track considered as part of the carriageway, in accordance with 3.2.3(a), shall also be designed for the loads in (a) in conjunction with traffic loading on the remaining carriageway width.
- c. A footpath or cycle track on a highway bridge positioned out of reach of the traffic, eg underneath the carriageway, shall be designed as in (a) but without the overload.
- d. A foot or cycle track bridge without traffic shall be designed for a uniformly distributed load between the limits of 2.0 and 5.0kPa, as given by the expression $6.2 - S/25$ where S is as defined in (a).
- e. In all cases where there is a likelihood of crowd loading, the maximum value of 5.0kPa should be considered, regardless of the loaded length. Examples are access to a sports stadium or where the bridge could become a vantage point to view a public event.

3.4.15 Vibration

All highway bridges shall be checked for the effects of vibration due to traffic loads. The criteria below shall be complied with for bridges carrying significant pedestrian or cycle traffic, and those where vehicles are likely to be stationary for a significant portion of the time (ie near intersections with, or without, traffic signals). Other bridges should comply with the criteria where economically justifiable.

The maximum vertical velocity during a cycle of vibration due to the design load shall be limited to 0.055m/s. The design load for this purpose shall be taken as the two 120kN axles of one HN load element.

Pedestrian and cycle bridges shall conform to the requirements of BS 5400-2⁽³⁾ appendix B contained within BD 37⁽⁴⁾ appendix A. Should the fundamental frequency of horizontal vibration of the bridge be found to be less than the 1.5Hz limit specified, a dynamic analysis to derive maximum horizontal acceleration may be undertaken in accordance with clause NA.2.44.7 of NA to BS EN 1991-2 *UK National Annex to Eurocode 1. Actions on structures part 2 Traffic loads on bridges*⁽⁹⁾.

For pedestrian and cycle bridges with spans exceeding 30m, where aerodynamic effects may be critical, wind vibration effects as detailed in BD 49⁽⁵⁾ shall be considered.

3.4.16 Settlement, subsidence and ground deformation

Horizontal and vertical forces and displacements induced on or within the structure as a result of settlement, subsidence or ground deformation in the vicinity of the structure or approach embankment shall be taken into account.

Where there is potential for subsidence of the ground (such as due to groundwater changes, mining or liquefaction) the effects of this on the structures and the performance requirements for the road link shall be taken into consideration in the development and design of appropriate mitigation measures.

3.4.17 Forces locked-in by the erection sequence

Locked-in forces in a structure that are caused by the erection sequence shall be allowed for. These may arise due to the weight of formwork, falsework and construction equipment acting on structural elements as they are built in.

The secondary effects of prestressing shall be considered as specified in 3.4.4.

3.4.18 Collision loads

a. General

Where piers and abutments supporting bridges over roads, railways or navigable rivers are located such that collisions are possible they shall be designed to resist such loads. Alternatively, a protective barrier system shall be provided.

Road safety barrier systems are classified as flexible, semi-rigid and rigid, as defined by NZTA M23 *Specification for road safety barrier systems*⁽¹⁰⁾. Typically, flexible barrier systems are wire rope barriers, semi-rigid barriers are W-beam and Thrie-beam barriers, and rigid barriers are concrete barriers.

Collision loads need only be considered at the ultimate limit state, except that their effect on elastomeric bearings shall be considered at the serviceability limit state.

b. Collision load from road traffic

i. Collision with bridge substructure

Piers or abutments supporting a bridge over a highway shall be designed to resist a nominal equivalent static load of 1300kN applied at an angle of 10 degrees from the direction of the centreline of the road passing under the bridge. The load shall be applied 1.2m above ground level.

This load may be reduced*, subject to the agreement of the road controlling authority if:

- o the piers or abutments concerned are located behind traffic barriers meeting performance level 5 or higher, as set out in appendix B, for design speeds greater than or equal to 80km/h or performance level 4 for lower speeds; or
- o it has been demonstrated that they are located such that collisions are not possible or that the collision load will be reduced.

The details of any such reduction in collision load shall be included in the structure design statement.

Reinforced soil abutment walls shall be protected from collision or shall be provided with sufficient redundancy so that the bridge it supports shall not collapse in the event of a collision.

Where barriers are placed adjacent to, or provide protection to a structure from vehicle impact, a minimum separation, to provide clearance to accommodate any barrier deflection and the impacting vehicle's tendency to roll over the barrier, shall be provided between the barrier front face and the face of the structure as follows:

- o Flexible or semi-rigid barriers: the working width of the barrier system, defined as the sum of the dynamic deflection of the barrier and the vehicle roll allowance (or the barrier system width if it is larger than the vehicle roll allowance). Refer to Austroads *Guide to road design* part 6 Roadside design, safety and barriers⁽¹¹⁾ clauses 6.3.15 to 6.3.17.
- o Performance levels 4 and 5 F type rigid barrier: vehicle roll allowance of 1.1m from the barrier front face. The dynamic deflection for a rigid barrier is zero.

* The development of collision loads to be considered on substructures protected by barriers is an area of ongoing research. Updates to this manual will be made when such information becomes available.

3.4.18 continued

- o Where rigid barriers are orientated normal to crossfall of the road sloping towards the structure, the separation shall be increased by $4.25m \times \frac{\text{crossfall percentage}}{100}$.

Vehicle collision loads on bridge abutments need not be considered when abutments are protected from collision by earth embankments.

- ii. Collision with bridge superstructure

For bridges where the vertical clearance to the bridge superstructure is 6.0m or less from an underlying road carriageway, collision loads of 500kN acting normal to the bridge longitudinal direction (and in any direction between horizontal and vertically upward) and 250kN acting parallel to the bridge longitudinal direction (and in any direction between horizontal and vertically upward) shall be considered to act at the level of the soffit of the outside girders, or at the level of the outer soffit corners of a box girder or slab superstructure. The load normal to the carriageway shall be considered separately from the load parallel to the carriageway.

Steel nosings shall be incorporated in the edge soffit of each beam above the approach traffic lanes. The steel nosing shall comprise composite 20mm thick plates extending vertically 200mm above the soffit and horizontally 200mm across the soffit. The plates shall be galvanised, and if exposed to view, shall have a cover coat to blend with the adjacent surfaces.

Where the vertical clearance to the bridge superstructure is 6.0m or less, all inner girders shall be designed for a nominal collision load of 50kN acting normal to the bridge longitudinal direction (and in any direction between horizontal and vertically upward).

For bridges where the vertical clearance to the bridge superstructure exceeds 6.0m from an underlying road carriageway a nominal collision load of 50kN (equivalent static load) acting normal to the bridge longitudinal direction shall be considered to act as a single point load on the bridge superstructure at any location along the bridge and in any direction between the horizontal and vertically upwards. The load shall be applied at the level of the soffit of the outside girders, or at the level of the outer soffit corners of a box girder or slab superstructure.

Collision loads shall be treated as point loads, or may be distributed over a length of not more than 300mm of the impacted member. No other live load need be considered to coexist.

- iii. Collision with the above deck level structure of through truss, tied arch, other similar bridge structures and protection beams

Through truss, tied arch and other similar bridge structures with above deck level structure providing the primary structural support to spans shall be designed for impact from a vehicle traversing the bridge. The design impact loads specified herein shall also apply to the design of protection beams installed to protect the superstructure of low clearance bridges from impact from road vehicles.

Bridge structural elements projecting above deck level at either side of the bridge carriageway shall be protected from impact by rigid traffic barriers meeting performance level 5 or higher. Clearance between the barrier and structure shall be as required for bridge substructures above.

3.4.18 continued

Bridge structural elements and other major elements projecting above the top of the side protection barriers or overhead of the road carriageway shall be designed for the loads given below. The load acting in the vertical plane normal to the bridge carriageway alignment shall be considered separately from the load acting in the vertical plane parallel to the bridge carriageway alignment. The loads shall be considered to act as point loads on the bridge elements in any direction between horizontal and vertically upwards. The load shall be applied to the element's leading corner nearest the carriageway considered in the direction of the vehicle travel.

The design nominal impact loads shall be as follows, modified as specified below for the various structural elements:

- o Load acting in the vertical plane perpendicular to the bridge carriageway's longitudinal alignment: 250kN.
- o Load acting in the vertical alignment parallel to the bridge carriageway's longitudinal alignment: 500kN.

Arch ribs, truss end posts and similar structural elements shall be designed for the full specified impact loading above, striking at all possible levels between the top of barrier level and 10m above road carriageway level.

The leading overhead structural member at each end of the bridge and within 10m of the carriageway shall be designed for the full impact loading specified.

Truss web members, arch rigid hanger members (as distinct from cable or single bar hangers) and overhead structural members within 10m of the carriageway, beyond 20m from the leading members, moving along the bridge in the direction of travel, shall be designed for one-third of the design nominal impact load.

Truss web members, arch rigid hanger members (as distinct from cable or single bar hangers) and overhead structural members within 10m of the carriageway, within 20m from the leading members, moving along the bridge in the direction of travel, shall be designed for impact loading linearly interpolated with distance from the leading member to 20m from the leading member.

Collision loads shall be treated as point loads, or may be distributed over a length of not more than 300mm of the impacted member. No other live load other than the impacting vehicle, which shall be taken as the HN vehicle without lane load, need be considered to coexist.

Single bar and cable hangers of tied and network arch structures shall satisfy the requirements of 4.9.

iv. Non-concurrency of loading

Vehicle collision load on the supports and on the superstructure shall be considered to act non-concurrently.

v. Exemptions

An exception to the above requirements will be considered where providing such protection would be impractical or the costs would be excessive, providing that the structure has sufficient redundancy to prevent collapse as a result of a collision. Such cases require justification, and any variations to the requirements of this manual are subject to the agreement of the road controlling authority.

3.4.18 continued

c. Bridge piers adjacent to railways

Where possible, rail crossings should be a clear span between abutments.

Where intermediate supports are necessary the bridge shall be designed in accordance with the following:

- i. Unless agreed otherwise by the road controlling authority, the bridge shall have sufficient redundancy to prevent collapse under permanent loading plus live load should one or more pier or column be removed or rendered ineffective as a result of a collision. A load factor of unity shall be applied to these loads. The number and location of supports to be considered as removed by a train collision shall be determined by a risk analysis, and shall be subject to the agreement of the road controlling authority and the appropriate railway authority.
- ii. Bridge piers or columns situated within 10m of a rail track centreline shall be provided with collision protection consisting of an impact wall. The impact wall may be standalone or monolithic with the bridge pier or columns being protected.

The impact wall shall be designed to resist the following collision loads applied simultaneously at the ultimate limit state using load factors for load combination 3C given in table 3.2:

- o 2000kN parallel to the rails
- o 1000kN normal to the rails.

These loads shall be applied horizontally at 2m above rail level.

The impact wall shall be aligned to deflect a derailed train from head-on collision with the pier or column and shall have energy dissipating features (eg such as being able to displace horizontally in the ground, or deflect upon ductile piles if these are provided, or retain and contain suitable aggregate ballast (eg GAP65), or a combination of these).

A minimum clearance of 2.75m, plus allowance for versine and end throw of the train units where they are traversing around a curve, shall be provided between the adjacent track centreline and the trackside face of the impact wall. Impact walls shall be durable for a 100-year design working life. They shall also extend in height from 1.0m below to 2.0m above the adjacent rail track level, and in length for not less than 2.0m to either side of the pier or column.

- iii. Bridge piers or columns situated between 10m and 20m of a rail track centreline shall be designed to resist a minimum load of 1000kN applied at any angle in the horizontal plane at 2m above rail level using ultimate limit state load factors for load combination 3C. This provision may be relaxed through a risk analysis subject to the agreement of the road controlling authority and the appropriate railway authority.

In addition and in all instances, any requirements of the appropriate railway authority shall be satisfied.

d. Ship impact on bridge piers

Possible impact loads from shipping shall be considered. Bridge piers shall either be protected by auxiliary structures designed to absorb the impact energy, or they shall be designed to resist impact from vessels operating under both normal conditions and extreme events that could occur during the life of the bridge. Design loads shall be assessed and included in the structure design statement.

3.5 Combination of load effects

The effects of the loads described in 3.2 to 3.4 shall be combined by summing each load effect multiplied by the relevant load factors shown in tables 3.1 and 3.2, and as specified below:

- a. In any combination, if a worse effect is obtained by omitting one or more of the transient items, this case shall be considered.
 - b. The required wind and seismic resistance of structures during construction is difficult to specify in a general manner. Variables such as duration of construction stage, vulnerability of the structure and surroundings at each stage, and cost to temporarily improve the wind and seismic resistance shall all be taken into account. The load components of combinations 5A and 5C shall give adequate protection in the circumstances being considered.
 - c. The load combinations specified cover general conditions. Provision shall also be made for other loads where these might be critical, eg vehicle or ship impact on piers.
-

Table 3.1: Load combinations and load factors for the serviceability limit state

Load symbol	Combination	Load description	Load symbol	Horizontal			Environmental			Soil			Traffic			Construction		Self-weight								
				longitudinal	transverse	TP	SN	WD	EQ	PW	FW	OW	ST	GW	EP	CF	HE		FP	OLX	LLX	EL	CN	DL		
Primary normal traffic cases	1A	Prestressing shortening and secondary effects	PS	1.00	1.00	1.00	-	-	-	-	-	-	-	-	-	-	-	-	-	-	-	1.00	1.00			
		Shrinkage and creep effects	SG	1.00	1.00	1.00	-	-	-	-	-	-	-	-	-	-	-	-	-	-	-	-	1.00	1.00		
		Temperature effects, overall and/or differential	TP	-	1.00	1.00	-	-	-	-	-	-	-	-	0.33	-	-	-	-	-	-	-	-	1.00	1.00	
Secondary normal traffic cases	1B	Collision loads	CO	-	-	-	-	-	-	-	-	-	-	-	-	-	-	-	-	-	-	-	-	-		
		Snow load	SN	-	-	-	-	-	-	-	-	-	-	-	-	-	-	-	-	-	-	-	-	-	-	
		Wind load	WD	-	-	-	-	1.00	-	-	-	-	-	-	-	-	-	-	-	-	-	-	-	-	-	
Primary lateral load cases	2A	Earthquake effects	EQ	-	-	-	-	-	-	1.00	-	-	-	-	-	-	-	-	-	-	-	-	-	-	-	
		Water ponding	PW	-	-	-	-	-	-	-	1.00	-	-	-	-	-	-	-	-	-	-	-	-	-	-	-
		Floodwater pressure and buoyancy, with scour	FW	-	-	-	-	-	-	-	1.00	-	-	-	-	-	-	-	-	-	-	-	-	-	-	-
Primary lateral load cases	2B	Ordinary water pressure and buoyancy (to be taken as due to the flow with an ARI of 1 year)	OW	1.00	1.00	1.00	1.00	1.00	-	-	1.00	-	-	-	-	-	-	-	-	-	-	-	-	-	-	
		Settlement	ST	1.00	1.00	1.00	1.00	1.00	1.00	1.00	1.00	1.00	1.00	1.00	1.00	1.00	1.00	1.00	1.00	1.00	1.00	1.00	1.00	1.00	1.00	1.00
		Ground water	GW	1.00	1.00	1.00	1.00	1.00	1.00	1.00	1.00	1.00	1.00	1.00	1.00	1.00	1.00	1.00	1.00	1.00	1.00	1.00	1.00	1.00	1.00	1.00
Primary lateral load cases	2C	Earth pressure	EP	1.00	1.00	1.00	1.00	1.00	1.00	1.00	1.00	1.00	1.00	1.00	1.00	1.00	1.00	1.00	1.00	1.00	1.00	1.00	1.00	1.00	1.00	
		Centrifugal effects of traffic loads	CF	1.00	-	1.00	1.00	1.00	1.00	1.00	1.00	1.00	1.00	1.00	1.00	1.00	1.00	1.00	1.00	1.00	1.00	1.00	1.00	1.00	1.00	1.00
		Horizontal effects of traffic loads	HE	-	-	1.00	1.00	1.00	1.00	1.00	1.00	1.00	1.00	1.00	1.00	1.00	1.00	1.00	1.00	1.00	1.00	1.00	1.00	1.00	1.00	1.00
Traffic overload case	3A	Pedestrian and cycle track live load	FP	1.00	-	1.00	1.00	1.00	1.00	1.00	1.00	1.00	1.00	1.00	1.00	1.00	1.00	1.00	1.00	1.00	1.00	1.00	1.00	1.00	1.00	
		Overload combination of traffic loads (gravity effects) with dynamic load factor	OLX	-	-	-	-	-	-	-	-	-	-	-	-	-	-	-	-	-	-	-	1.00	0.50	-	-
		Normal live load (gravity effects) with dynamic load factor	LLX	1.35	-	1.35	1.35	1.35	1.35	1.35	1.35	1.35	1.35	1.35	1.35	1.35	1.35	1.35	1.35	1.35	1.35	1.35	1.35	1.35	1.35	1.35
Construction cases	3B	Locked-in forces due to the erection sequence	EL	1.00	1.00	1.00	1.00	1.00	1.00	1.00	1.00	1.00	1.00	1.00	1.00	1.00	1.00	1.00	1.00	1.00	1.00	1.00	1.00	1.00	1.00	
		Construction loads, including loads on an incomplete structure	CN	-	-	-	-	-	-	-	-	-	-	-	-	-	-	-	-	-	-	-	-	1.00	1.00	1.00
Construction cases	3C	Dead load, including superimposed dead load	DL	1.00	1.00	1.00	1.00	1.00	1.00	1.00	1.00	1.00	1.00	1.00	1.00	1.00	1.00	1.00	1.00	1.00	1.00	1.00	1.00	1.00	1.00	
		Construction loads, including loads on an incomplete structure	CN	-	-	-	-	-	-	-	-	-	-	-	-	-	-	-	-	-	-	-	-	1.00	1.00	1.00
Construction cases	4	Dead load, including superimposed dead load	DL	1.00	1.00	1.00	1.00	1.00	1.00	1.00	1.00	1.00	1.00	1.00	1.00	1.00	1.00	1.00	1.00	1.00	1.00	1.00	1.00	1.00	1.00	
		Construction loads, including loads on an incomplete structure	CN	-	-	-	-	-	-	-	-	-	-	-	-	-	-	-	-	-	-	-	-	1.00	1.00	1.00
Construction cases	5A	Dead load, including superimposed dead load	DL	1.00	1.00	1.00	1.00	1.00	1.00	1.00	1.00	1.00	1.00	1.00	1.00	1.00	1.00	1.00	1.00	1.00	1.00	1.00	1.00	1.00	1.00	
		Construction loads, including loads on an incomplete structure	CN	-	-	-	-	-	-	-	-	-	-	-	-	-	-	-	-	-	-	-	-	1.00	1.00	1.00
Construction cases	5B	Dead load, including superimposed dead load	DL	1.00	1.00	1.00	1.00	1.00	1.00	1.00	1.00	1.00	1.00	1.00	1.00	1.00	1.00	1.00	1.00	1.00	1.00	1.00	1.00	1.00	1.00	
		Construction loads, including loads on an incomplete structure	CN	-	-	-	-	-	-	-	-	-	-	-	-	-	-	-	-	-	-	-	-	1.00	1.00	1.00

Notes: Where the effect of a possible reduction in permanent load is critical, replacement of the 'permanent load' by '0.9 x permanent load' shall be considered.

Combinations 3A and 3C only apply to the design of deck joints and elastomeric bearings and to consideration of stability of the structure.

Table 3.2: Load combinations and load factors for the ultimate limit state

Load symbol	Self-weight		Construction		Traffic			Soil			Environmental				Horizontal				
	DL	CN	EL	FP	HE	CF	EP	GW	ST	OW	FW	PW	EQ	WD	SN	CO	TP	SG	PS
Primary normal traffic cases	1A	1.35 (1.00)	-	1.35 (1.00)	1.76	-	2.25 (1.35)	1.82 (1.00)	1.00 (1.00)	1.35 (1.00)	-	-	-	-	-	-	-	1.35 (1.00)	1.00 (1.00)
	1B	1.35 (1.00)	-	1.35 (1.00)	-	-	1.82 (1.35)	1.00 (1.00)	1.35 (1.00)	1.35 (1.00)	-	-	-	-	-	-	1.69	1.35 (1.00)	1.00 (1.00)
Secondary normal traffic cases	2A	1.20 (1.00)	-	1.20 (1.00)	1.20	1.20	1.20 (1.00)	1.00 (1.00)	1.20 (1.00)	-	-	-	-	-	-	-	1.20	1.20 (1.00)	1.00 (1.00)
	2B	1.35 (1.00)	-	1.35 (1.00)	1.35	1.35	1.35 (1.00)	1.00 (1.00)	1.35 (1.00)	-	-	-	-	1.00	-	-	-	1.35 (1.00)	1.00 (1.00)
	2C	1.35 (1.00)	-	1.35 (1.00)	1.35	1.35	1.35 (1.00)	1.00 (1.00)	1.35 (1.00)	-	1.00	1.00	-	-	-	-	-	1.35 (1.00)	1.00 (1.00)
Primary lateral load cases	3A	1.00	-	1.00	-	-	1.35	1.00	1.00	1.35	-	-	1.00	-	-	-	0.33	1.00	1.00
	3B	1.10 (1.00)	-	1.10 (1.00)	-	-	1.38 (1.25)	1.00 (1.00)	1.10 (1.00)	-	γ_{FL}^{\dagger}	1.00	-	1.00	-	-	-	1.10 (1.00)	1.00 (1.00)
	3C	1.00	-	1.00	-	-	1.35	1.00	1.00	1.35	-	-	-	-	-	1.50	0.33	1.00	1.00
Traffic overload case	3D	1.20 (1.00)	-	1.20 (1.00)	-	-	1.20 (1.00)	1.00 (1.00)	1.20 (1.00)	1.20	1.00	1.00	-	0.33	1.00	-	1.20	1.20 (1.00)	1.00 (1.00)
	4	1.35 (1.00)	-	1.35 (1.00)	1.49	1.49	1.35 (1.00)	1.00 (1.00)	1.35 (1.00)	1.35	-	-	-	-	-	-	0.45	1.35 (1.00)	1.00 (1.00)
	5A	1.35 (1.00)	1.49	1.35 (1.00)	-	-	1.35 (1.00)	1.00 (1.00)	1.35 (1.00)	1.35	-	-	-	0.33	-	-	-	1.35 (1.00)	1.00 (1.00)
Construction cases	5B	1.35 (1.00)	1.49	1.35 (1.00)	-	-	1.35 (1.00)	1.00 (1.00)	1.35 (1.00)	1.35	-	-	-	-	-	-	1.00	1.35 (1.00)	1.00 (1.00)
	5C	1.35 (1.00)	1.49	1.35 (1.00)	-	-	1.35 (1.00)	1.00 (1.00)	1.35 (1.00)	1.35	-	-	-	-	-	-	-	1.35 (1.00)	1.00 (1.00)

Notes: Where the effect of a possible reduction in a permanent load is critical, use of the lower bracketed load factors shall be considered.

Combination 3D applies only to the design of footbridges.

[†] γ_{FL} shall be as defined in 3.4.8(a)

3.6 References

- (i) NZ Transport Agency (2013) *A new vehicle loading standard for road bridges in New Zealand*. Research report 539, Wellington.
 - (1) Standards Australia AS 5100.6-2004 *Bridge design*. Part 6 Steel and composite construction.
 - (2) New Zealand Heavy Engineering Research Association (2007) *Recommended draft fatigue design criteria for bridges version 3*. Manukau City.
 - (3) British Standards Institution BS 5400-2:1978 *Steel concrete and composite bridges*. Part 2 Specification for loads. Withdrawn.
 - (4) Highways Agency (2001) BD 37/01 *Loads for highway bridges*. TSO, London, United Kingdom.
 - (5) Highways Agency (2001) BD 49/01 *Design rules for aerodynamic effects on bridges*. TSO, London, United Kingdom.
 - (6) Standards Australia and Standards New Zealand jointly AS/NZS 1170.2:2011 *Structural design actions part 2 Wind actions*.
 - (7) Standards Australia AS 5100.2-2004 *Bridge design*. Part 2 Design loads.
 - (8) Standards Australia and Standards New Zealand jointly AS/NZS 1170.3:2003 *Structural design actions*. Part 3 Snow and ice actions.
 - (9) British Standards Institution NA to BS EN 1991-2:2003 *UK National Annex to Eurocode 1. Actions on structures*. Part 2 Traffic loads on bridges
 - (10) NZ Transport Agency (2009) *NZTA M23 Specification for road safety barrier systems*. Wellington.
 - (11) Austroads (2009) *Guide to road design*. Part 6 Roadside design, safety and barriers, AGRD06-09. Sydney, NSW, Australia.
-

4.0 Analysis and design criteria

In this section	Section	Page
	4.1 Analysis	4-2
	4.2 Reinforced concrete and prestressed concrete	4-2
	4.3 Structural steel and composite construction	4-12
	4.4 Timber	4-14
	4.5 Aluminium	4-15
	4.6 Other materials	4-15
	4.7 Bearings and deck joints	4-15
	4.8 Integral and semi-integral abutments	4-21
	4.9 Network and tied arch bridges - hanger supports	4-24
	4.10 Buried structures	4-26
	4.11 Bridges subject to inundation by flooding	4-30
	4.12 Miscellaneous design requirements	4-31
	4.13 References	4-36
	Addendum 4A New Zealand average relative humidities	4-41

4.1 Analysis

Structural components shall be designed for the most adverse effects arising from eccentricity of loading or curvature of the bridge. The analysis method used shall take account of the relative stiffness of longitudinal and transverse members, and the stiffness used for reinforced concrete members shall take account of the effects of flexural cracking.

4.2 Reinforced concrete and prestressed concrete

4.2.1 General

Design shall be in accordance with NZS 3101.1&2 *Concrete structures standard*⁽¹⁾, with the following provisos:

a. Crack widths (clause 2.4.4.2)

Crack widths under the application of load combination 1B as defined in table 3.1 shall not exceed the limits specified in table 4.1 unless alternatively the requirements of NZS 3101⁽¹⁾ clause 2.4.4.1(a) are satisfied.

Table 4.1: Crack width limits

	Exposure classification	Crack width limit
Reinforced concrete Prestressed concrete	A2, B1, B2	0.35mm 0.20mm
Reinforced concrete Prestressed concrete	C	0.25mm 0.10mm

Care should be exercised when designing deep beams using the strut and tie method as cracks can become large when this method is used.

Deck reinforcement design shall be exempt from a check of crack widths when the empirical design method specified by NZS 3101⁽¹⁾ section 12.8 is used.

b. Design for durability (section 3)

i. General

For designs based on the use of concrete made with GP, GB or HE cement complying with NZS 3122 *Specification for Portland and blended cements (General and special purpose)*⁽²⁾ with or without supplementary cementitious materials (SCM) complying with AS 3582 *Supplementary cementitious materials for use with Portland and blended cement*⁽³⁾, durability of the reinforced or prestressed concrete shall be designed for in accordance with the requirements of NZS 3101⁽¹⁾ except as modified herein.

ii. Equivalent terminology

The term 'design working life' adopted in this manual shall be taken to equate to the term 'specified intended life' adopted by NZS 3101⁽¹⁾ clause 3.3.1.

4.2.1 continued

iii. Site exposure classification

All parts of bridges shall be considered to be in an 'exterior' type of environment.

In ascertaining the site exposure classification, where specific evaluation of a site is proposed in accordance with NZS 3101⁽¹⁾ clause 3.4.2.4, Coastal frontage zone extent, or clause 3.4.2.5, Tidal/splash/spray zone, this shall be treated as a special study as described by AS/NZS 1170.0 *Structural design actions* part 0 General principles⁽⁴⁾ and shall be fully documented in an appendix to the structure design statement.

In the case of the tidal/splash/spray zone, unless exposure classification C is adopted as the default, a special study is required to define the extent of the C zone in the vertical direction, which shall be taken to extend from the mean low water level at depth upwards to a height above sea level that is determined by prevailing wind and sea conditions.

The height of the upper boundary shall be defined by a decrease in the aggressiveness of the exposure environment such that the selected mix design for the B2 exposure classification can be demonstrated to achieve a 100-year life. To carry out this evaluation, a series of chloride profiles as a function of height above sea level will need to be determined on nearby concrete structures of similar exposure, to indicate the long-term surface chloride profile likely to be established in the concrete at the site under consideration. If nearby structures are not available, height profiles from closely comparable environments will need to be substituted.

The measured chloride concentrations are then to be employed as an input to a service life prediction model based on Fick's laws to verify the height at which the B2 mix design becomes adequately durable, which shall then be taken as the upper boundary position for the C zone. The application of the service life prediction model shall comply with NZS 3101⁽¹⁾ part 2 clause C3.12.1 with adequate durability being taken as a minimum time to first rusting of 80 years.

iv. Requirements for aggressive soil and groundwater exposure classification XA

Concrete in members subject to chemical attack shall be specified in accordance with table 4.2 which replaces table 3.4 in NZS 3101⁽¹⁾ for members with a design working life of 100 years. Such concrete shall be specified as 'special concrete' under NZS 3109 *Concrete construction*⁽⁵⁾ clause 6.3.

Table 4.2: Requirements for Concrete Subjected to Natural Aggressive Soil and Groundwater Attack

Chemical exposure classification	Maximum water cementitious ratio	Minimum cover (mm)	Minimum binder content (kg)	Additional requirement
XA1	0.50	65	340	---
XA2	0.45	65	370	SCM
XA3	0.40	75	400	SCM

Notes:

1. Binders containing combinations of cement and SCM (fly ash, slag or amorphous silica) provide significantly increased resistance to chemical attack mechanisms.
2. Where low pH and high exchangeable soil acid conditions prevail, an additional protection (eg protective coating or other form of physical protection) may be required. This may allow for reduction of originally specified concrete parameters.

4.2.1 continued

v. Minimum concrete curing requirements

NZS 3101⁽¹⁾ table 3.5 is clarified as follows: Note 3 of the table shall be taken as applying to the curing of concrete associated with exposure classifications C, XA2 and XA3 only, with alternative curing methods being alternatives to water curing.

The use of heat accelerated curing (eg as specified by the NSW Roads and Maritime Services QA specification B80 *Concrete work for bridges*⁽⁶⁾) as an alternative method to water curing in the C exposure zone shall be subject to a special study to demonstrate equivalent performance.

Another potentially acceptable alternative method to water curing in the C exposure zone is sealed curing used in conjunction with concrete cover increased above that specified by NZS 3101⁽¹⁾ table 3.7. This approach shall also be subject to verification by a special study to establish the increase in concrete cover required to provide equivalent performance.

vi. Additional requirement for concrete exposure classification B2

Concrete for use in the exposure classification zone B2 shall have a minimum specified 28 day compression strength of not less than 40MPa.

vii. Life prediction models and durability enhancement measures

There are a number of alternative durability enhancing measures which can be taken to extend the life of concrete structures and provide the required durability other than those specified by NZS 3101⁽¹⁾ chapter 3. These include concrete coatings, corrosion inhibiting admixtures, galvanized or stainless steel reinforcement, controlled permeability formwork, glass fibre reinforced concrete (GRC) permanent formwork, and cathodic protection. Life prediction models offer an alternative approach to use of NZS 3101⁽¹⁾ table 3.7 for determination of covers for the C and B2 zones. Adoption of any of these or other alternative measures shall be the subject of a special study as described in AS/NZS 1170.0⁽⁴⁾, and shall be fully documented in an appendix to the structure design statement. Where a life prediction model is proposed to be used, the structure design statement appendix shall include full details of the formulation and calibration of the model.

c. Friction losses (clause 19.3.4.2.3)

It should be noted that the apparent coefficient of friction for post-tensioned cables deflected at isolated points is likely to be significantly higher than that for equivalent cables curved over their whole length. This shall be taken into account in the design.

d. Reinforced concrete deck slab thickness (table 2.3)

For a uniform concrete slab, monolithic with concrete webs, L_s shall be taken as the clear span.

For a haunched slab, monolithic with concrete webs, or tied down to steel girders, where thickness at root of haunch is at least 1.5 times thickness at centre of slab, L_s shall be taken as the distance between midpoints of opposite haunches.

For a uniform slab on steel girders, L_s shall be taken as the average of the distance between webs and the clear distance between flange edges.

For deck slabs designed by the empirical method of NZS 3101⁽¹⁾ clause 12.8, the minimum slab thickness requirements of that clause shall take precedence over the requirements of NZS 3101⁽¹⁾ table 2.3.

4.2.1 continued

e. Shrinkage and creep effects in concrete

Assessment of shrinkage and creep effects shall be undertaken in accordance with AS 3600 *Concrete structures*⁽⁷⁾ (or AS 5100.5 *Bridge design* part 5 *Concrete*⁽⁸⁾ when revised and republished post 2012). Design shrinkage strain shall be determined as the sum of chemical (autogenous) and drying shrinkage as given in AS 3600⁽⁷⁾ clause 3.1.7.2. It is noted that autogenous shrinkage is essentially complete at about 50 days after initial setting of the concrete.

In the application of the AS 3600⁽⁷⁾ procedure for shrinkage and creep to structural concrete mixes based on Type GP cement with restricted water demands and moderate workability (slump 50 – 100mm), the relative humidity factor (k_4) may be derived from table 4.3, based on the average relative humidity for the locality. Table 4.4 presents average final drying basic shrinkage strains ($\epsilon_{csd,b}^*$) for a range of New Zealand aggregates for use in AS 3600⁽⁷⁾ equation 3.1.7.2(5) to determine $\epsilon_{csd,b}$, the basic drying shrinkage strain, which is dependent on the specified concrete strength and the aggregate type. Alternatively, $\epsilon_{csd,b}$ may be taken as equal to the 56 day drying shrinkage test result determined by using the method specified in AS 1012.13 *Methods of testing concrete* part 13 Determination of the drying shrinkage of concrete for samples prepared in the field or in the laboratory⁽⁹⁾, corrected for autogenous shrinkage over the drying period by subtracting $25(0.06f'_c - 1.0)$ microstrain.

The average relative humidity for a locality may be assessed from data available from the NIWA CliFlo⁽¹⁰⁾ database through their website. Table 4.5 presents average and 9am relative humidities, derived as noted below the table, for various locations throughout New Zealand. Figure 4.1 presents 9am relative humidities which may be used to estimate the average relative humidity for locations for which data is not available in the CliFlo⁽¹⁰⁾ database.

Note that for particularly dry parts of the country (eg Central Otago) the average relative humidity may vary quite significantly from the 9am relative humidity values. Conservative (low) assessments of relative humidities should be adopted as the basis for design. Guidance on using the CliFlo⁽¹⁰⁾ database is provided in addendum 4A.

Consideration shall be given to the fact that ϵ_{cs} has a range of $\pm 30\%$. Note also that high slump (eg pump-type) concrete mixes may have significantly higher levels of shrinkage.

For shrinkage sensitive structures, it is recommended that concrete suppliers who may potentially supply concrete for the structure be consulted about the shrinkage properties of their concrete, and that use of a super-plasticiser or shrinkage reducing admixture be considered. Such admixtures can significantly reduce shrinkage, although their use requires a higher degree of control in the production and placing of the concrete. Caution needs to be exercised in adopting very low shrinkage strains associated with the use of super-plasticisers and shrinkage reducing admixtures as there is a lack of published data, and thus uncertainty, over the long term shrinkage performance of concretes associated with their use. (Note that shrinkage reducing admixtures, which are most commonly used and do not need the concrete to be confined to be effective, should not be confused with shrinkage compensating admixtures, which generally induce initial expansion in the concrete before subsequent shrinkage takes place.)

4.2.1 continued

In general, a higher water content results in greater shrinkage for concretes made from a particular combination of aggregates. This trend may be modified by the use of admixtures to reduce water content. Greater drying shrinkage may also occur with the following types of mix:

- specified strength over 50MPa
- cementitious binder content exceeding 380kg/m³
- water to cement ratio less than 0.40.

Designers need to consider the potential for higher shrinkage for these types of concrete. This applies in particular to the design of deck slabs where restraint is provided by the supporting girders. It applies also to use of the empirical design method for deck slabs.

In addition to potentially greater drying shrinkage, these concretes, and concretes containing supplementary cementitious material, may have greater autogenous shrinkage. They also tend not to bleed, and consequently can exhibit greater plastic shrinkage. Plastic shrinkage may be severe in the case of low water/cement concrete containing supplementary cementitious material. Therefore the use of such concrete in deck slabs is not recommended.

Plastic shrinkage cracking occurs before the bond between concrete and reinforcing steel has developed, therefore the steel is ineffective in controlling this type of cracking. For such concretes, evaporation retarders (eg aliphatic alcohols) or misting should be used to reduce evaporation from the concrete surface and thereby to reduce plastic shrinkage. Use of micro synthetic fibres in the concrete mix can also be beneficial.

For concrete bridges constructed in stages, the design shall take account of the shrinkage and creep effects of the concrete using an appropriate time dependent analysis. The final bridge profile shall take account of the deflections that occur due to these effects over the life of the bridge. In bridge superstructures, the post-construction deflection associated with these effects shall be less than span/1000.

Where precast concrete beams are made continuous by interconnection with reinforced in situ concrete at the intermediate supports, design for the effects of residual creep and differential shrinkage shall comply with the principles and general requirements of AS 5100.5 *Bridge design part 5 Concrete*⁽¹¹⁾ appendix E.

Table 4.3: Relative humidity factor (k_4)

Relative humidity (%)	40	50	60	70	80	90
Relative humidity factor (k_4)	0.72	0.66	0.60	0.49	0.38	0.20

Figure 4.1: Map of New Zealand 9am relative humidities (RH%)

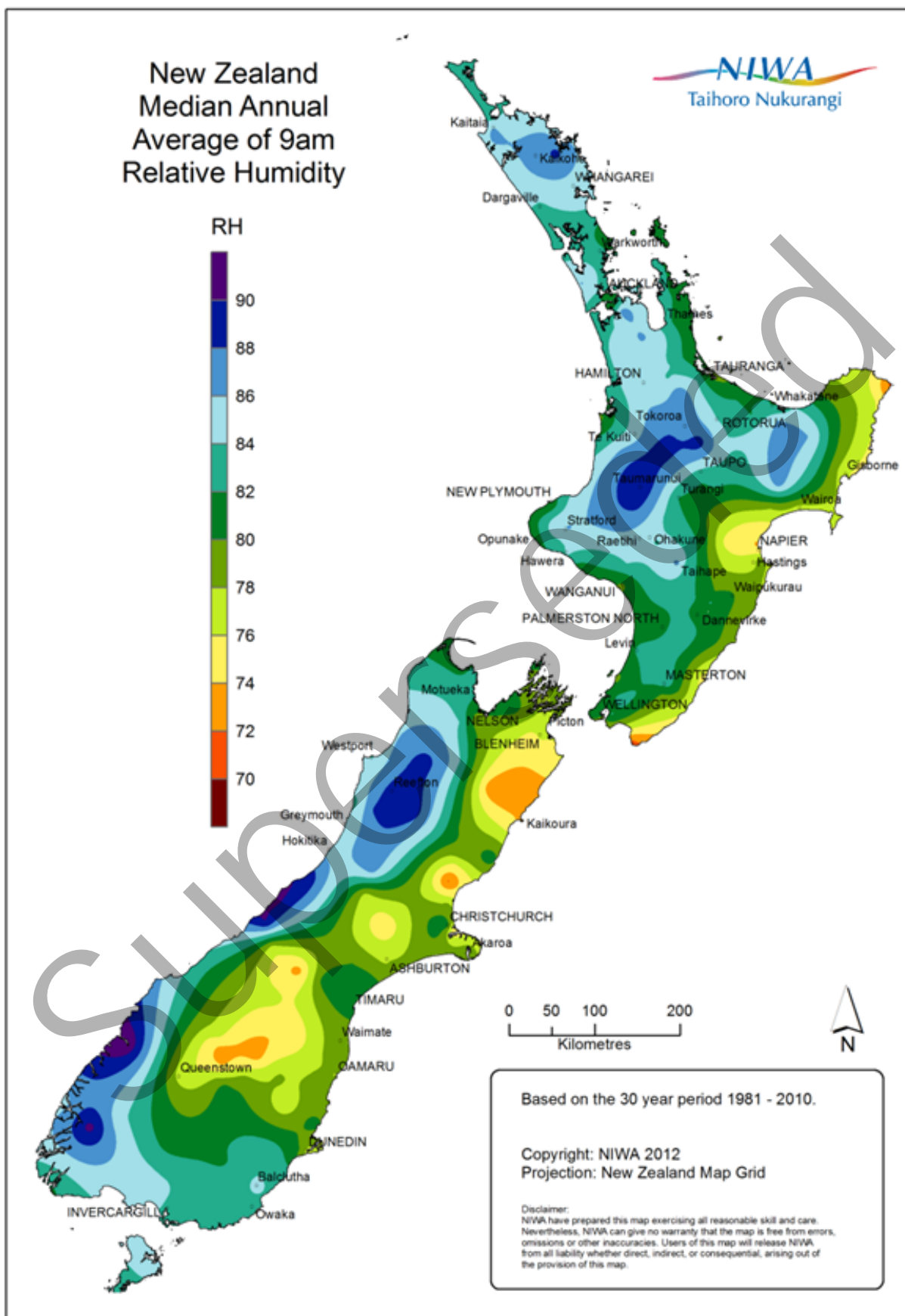


Figure 4.1 is reproduced with the permission of NIWA.

4.2.1 continued

Table 4.4: Final drying basic shrinkage strain ($\epsilon\epsilon_{csd,b}^*$)

Location	Aggregate type	Final drying basic shrinkage (microstrain)
Whangarei, Auckland Hunua, Hamilton	Northern greywacke	1000
Hastings, Palmerston North, Masterton, Wellington, Blenheim, Kaikoura	Central greywacke	1500
Christchurch, Timaru, Oamaru	Southern greywacke	950
Auckland	Basalt	990
Kaitaia, Tauranga	Other andesite / basalt gabro	1315
New Plymouth, Taranaki	Taranaki andesite	1080
Waiau	Limestone	570
Nelson	Greywacke - siltstone	1460
Westport Queenstown, Wanaka Invercargill	Granite - greywacke Schist - greywacke Igneous - greywacke	775
Dunedin	Phonolite	735

Notes:

The tabulated final drying basic shrinkage values are average values developed from information presented in CCANZ report TR11 *Properties of New Zealand Concrete Aggregates*⁽¹²⁾. Further background on the shrinkage properties of New Zealand concrete may be found in the paper *Hardened properties of concrete containing New Zealand aggregates*⁽¹³⁾.

Table 4.5: Average and 9am relative humidities for various locations

Location	RH (%)	Location	RH (%)	Location	RH (%)	Location	RH (%)
Kaikohe	85 (86)	Taupo	79 (84)	Wellington	76-81 (80)	Ashburton	77 (76)
Whangarei	80 (84)	Taumarunui	82 (88)	Nelson	77 (80)	Timaru	80 (80)
Dargaville	80 (84)	Gisborne	78 (76)	Blenheim	75 (76)	Franz Josef	84 (88)
Auckland	77-82 (82)	New Plymouth	83* (80)	Westport	83 (84)	Queenstown	70* (78)
Hamilton	82 (84)	Waiouru	82 (84)	Kaikoura	75 (74)	Alexandra	66* (80)
Tauranga	77 (80)	Napier	76 (74)	Greymouth	79 (84)	Oamaru	80 (78)
Whakatane	80 (82)	Whanganui	77 (80)	Hokitika	85* (84)	Dunedin	78 (78)
Rotorua	83* (84)	Palmerston North	80 (82)	Hanmer	76 (80)	Invercargill	81 (82)
Te Kuiti	77 (84)	Masterton	78 (82)	Christchurch	78 (76)		

Notes: (overleaf)

4.2.1 continued

Notes to table 4.5:

RH values not within brackets are average RH assessed from NIWA CliFlo⁽¹⁰⁾ data for the period 2008-12. RH values within brackets are 9am RH values assessed from figure 4.1.

* Conservative (low) estimates based on incomplete NIWA datasets. Data missing: Rotorua, New Plymouth, Hokitika - early hours of the morning; Queenstown - nighttime hours; Alexandra - nighttime hours and large and irregular gaps in daytime hours. In general, humidity is usually higher during the hours of darkness, peaking a little before dawn.

f. Mechanical coupling and anchorage of reinforcing bars

Mechanical couplers for the jointing of reinforcing steel and mechanical anchorages for the anchoring of reinforcement shall satisfy the requirements of NZS 3101⁽¹⁾ clauses 8.7.5 and 8.6.11 except as modified herein.

Couplers and mechanical anchors for the jointing or anchorage of reinforcing steel shall possess an ultimate tensile strength exceeding that of the maximum upper bound ultimate tensile strength of the reinforcing bar size and grade to be joined or anchored. (This requirement shall be taken as replacing NZS 3101⁽¹⁾ subclauses 8.7.5.2(a) and 8.6.11.2.)

The mode of failure of the coupled or anchored bar shall be by ductile yielding of the bar, with the bar developing its ultimate tensile strength at a location outside of the coupler or anchorage and away from any zone of the bar affected by working (eg by cold forging). This mode of failure shall be ensured when tested with reinforcement of yield strength within $\pm 10\%$ of the upper characteristic yield strength as defined by AS/NZS 4671 *Steel reinforcing materials*⁽¹⁴⁾. Where the coupler or mechanical anchor and ends of the bars are threaded as the means of achieving the coupling between components, there shall be no thread stripping or evidence of significant distortion of the threads at the failure load of the bar.

NZS 3101⁽¹⁾ subclauses 8.7.5.2(b) and (c), and subclause 8.9.1.3 (in respect to mechanical couplers and anchorages) shall be deleted and replaced with:

Mechanical couplers and anchorages shall satisfy the cyclic load performance requirements specified by ISO 15835-1 *Steels for the reinforcement of concrete - Reinforcement couplers for mechanical splices of bars part 1 Requirements*⁽¹⁵⁾ and ISO 15835-2 *Steels for the reinforcement of concrete - Reinforcement couplers for mechanical splices of bars part 2 Test methods*⁽¹⁶⁾ as follows:

- i. When tested in accordance with ISO 15835-2⁽¹⁶⁾ clause 5.6.2, for alternating tension and compression test of large strains in the mechanical splice, the residual elongations after 4 cycles, u_{4r} , shall be less than 0.3mm, and u_8 shall be less than 0.6mm.
- ii. Where high cycle fatigue is a consideration, the mechanical connection shall satisfy the requirements of ISO 15835-1⁽¹⁵⁾ -properties under high cycle fatigue loading. The testing shall comply with ISO 15835-2⁽¹⁶⁾ clause 5.5.

Couplers and mechanical anchors for the jointing or anchorage of reinforcing steel shall be proven by an appropriate test acceptable to the road controlling authority to possess resistance to brittle fracture. Where couplers and anchorages are of sufficient size to enable Charpy V notch test specimens to be cut from them, Charpy V notch testing shall be undertaken. Where this test method is applied, a Charpy V-notch impact resistance equal to or greater than 27 joules shall be achieved when tested at 0°C in accordance with AS 1544.2 *Methods for impact tests on metals part 2 Charpy V-notch*⁽¹⁷⁾ and assessed for acceptance as specified by AS/NZS 3678 *Structural steel - Hot-rolled plates, floorplates and slabs*⁽¹⁸⁾ table 10.

Cast iron couplers or anchorages shall not be used.

4.2.1 continued

Where, in the design of a structure or new works to a structure, reinforcement is designed to be joined by mechanical coupling, the reinforcement to be used shall be either grade 300E or grade 500E complying with AS/NZS 4671⁽¹⁴⁾, for which the maximum upper bound ultimate tensile strengths may be taken as:

- Grade 300E: 570MPa
- Grade 500E: 840MPa

Reinforcing steel of grades 250N, 500L and 500N shall not be used where mechanical coupling is required. Where the ends of grade 500E bars are to be threaded as a means of achieving the coupling, only microalloyed bars, and not quenched and tempered bars, shall be used.

Where, in the modification or strengthening of an existing structure, coupling to embedded reinforcement of unknown maximum ultimate tensile strength is proposed, the reinforcement shall either be tested to establish its ultimate tensile strength or a conservative over estimation made of its ultimate tensile strength as the basis for selection and design of the couplers in order to ensure that the performance requirements specified above are satisfied.

Where the means of coupling is through use of parallel threaded couplers with the ends of the bars to be joined enlarged in diameter by cold forging prior to threading, the cold forging process will locally alter the mechanical properties of the ends of the bars. The potential for brittle fracture in the reinforcing bar shall be avoided. Quality assurance and control procedures shall be employed to ensure that the brittle fracture resistance and ultimate tensile strength of the cold forged sections of the bars satisfy the requirements above and that failure of the bar is by ductile yielding and at its ultimate tensile strength is at a location away from the coupling and zones of cold forging.

g. Prestressed concrete

i. Design for shear

In the design of prestressed concrete members for shear, the concrete contribution to shear strength shall be computed in accordance with AASHTO LRFD *Bridge design specifications*⁽¹⁹⁾, clause 5.8.3.4.3, noting that the AASHTO equations are based on imperial units. (In respect to NZS 3101⁽¹⁾ clause 19.3.11.2.2 equation 19-15, the NZS 3101:1995⁽²⁰⁾ Commentary noted that for beams subjected to point loads the equation should not be used, and also that the equation is not necessarily appropriate to continuous prestressed concrete members, such as a bridge superstructure, and that it may be non-conservative for thin webbed sections, common in bridge superstructures. This equation should therefore not be used.)

ii. Confining reinforcement and strand corrosion protection in pretensioned members

Adequate confining reinforcement shall be provided in the end zones of pretensioned prestressed concrete members to prevent splitting of the members.

The ends of prestressing strand in pretensioned members shall be protected from corrosion in such a manner that no maintenance of the corrosion protection is required within the design life of the element.

iii. External post-tensioning

External post-tensioning shall not be used in locations accessible to the public or where there is a significant risk of fire in proximity to the tendons.

4.2.1 continued

iv. Detailing of prestressed members

Grout for and grouting of post-tensioning ducts shall comply with the Concrete Institute of Australia's publication CIA Z3 *Grouting of prestressing ducts*⁽²¹⁾ for type A tendons. This shall include the provision of grout inlets, vents, caps and control valves or other approved methods of maintaining pressure and controlling flow.

In C and B2 exposure classifications as defined in NZS 3101⁽¹⁾, plastic post-tensioning duct with 2.0mm minimum wall thickness and coupled at all construction joints shall be used. The duct and accessories shall comply with *fib Bulletin 7 Corrugated plastic ducts for internal bonded post-tensioning*⁽²²⁾. In other exposure classifications corrugated galvanized steel ducts may be used. They shall be spirally wound from galvanized strip steel with a minimum wall thickness of 0.3mm and a coating weight in excess of 90 grams/m², and shall have welded or interlocking seams with sufficient rigidity to maintain the correct profile during concrete placement.

All anchorages shall have grout caps and seals for grouting operations as required by CIA Z3⁽²¹⁾. For C and B2 exposure classifications, anchorages shall have permanent grout caps made from fibre reinforced polymer or HDPE, bolted to the anchorage and sealed with O rings or gaskets against the bearing plate.

Further guidance on design details for post-tensioning may be found in:

- FHWA *Post-tensioning tendon installation and grouting manual*⁽²³⁾
- UK Concrete Society technical report 72 *Durable post-tensioned concrete structures*⁽²⁴⁾.

h. Precast prestressed hollow core unit decks

Precast prestressed hollow core deck units shall be provided with sufficient transverse stressing to provide shear transfer without relative movement, and without cracks opening (ie with zero tension) on the longitudinal joints between units at the deck top surface under all serviceability load combinations. Transverse tendons shall be provided with at least a double corrosion protection system.

A double corrosion protection system will generally comprise a continuous, full length, watertight, electrically non-conductive, corrosion resistant, durable duct with the void between the duct and the tendon fully infilled with a corrosion inhibiting grout (eg cement grout).

i. Reinforcing steel

All reinforcing steel shall comply with the requirements of NZS 3109⁽⁵⁾ except that welded wire mesh may be of grade 500E steel and in which case shall comply with AS/NZS 4671⁽¹⁴⁾.

j. Design for fatigue

In the application of NZS 3101⁽¹⁾ clause 2.5.2.2, the stress range due to repetitive loading to be considered in flexural reinforcing bars shall be that due to live loading corresponding to table 3.1 load combination 1A.

In the application of NZS 3101⁽¹⁾ clause 19.3.3.6.2, the stress range due to frequently repetitive live loading shall be that due to live loading corresponding to table 3.1 load combination 1A. The stress range due to infrequent live loading shall be taken to be that due to live loading, overload, wind loading and temperature effects corresponding to all load combinations of table 3.1 excluding load combination 1A.

4.2.1 continued

k. Bridge Piers

Regardless of shape or aspect ratio, bridge piers shall comply with the requirements of NZS 3101⁽¹⁾ section 10. Where bridge piers may be classified as walls, any additional requirements of NZS 3101⁽¹⁾ section 11 pertaining to walls shall also be satisfied. Where inconsistencies may exist between the requirements of section 10 and section 11, the requirements of section 10 shall take precedence unless otherwise justified and accepted by the road controlling authority.

Bridge piers shall also be designed for serviceability in accordance with NZS3101⁽¹⁾ section 2.4. and, where applicable, section 19.

4.3 Structural steel and composite construction

4.3.1 General

Design for the steel componentry of bridge substructures, and any seismic load resisting componentry expected to behave inelastically, shall comply with NZS 3404 *Steel structures standard*⁽²⁵⁾. Design for the steel componentry of bridge superstructures, including seismic load resisting components expected to behave elastically, shall be in accordance with AS 5100.6 *Bridge design part 6 Steel and composite construction*⁽²⁶⁾.

Until such time as requirements for brittle fracture appropriate to New Zealand are incorporated into AS 5100.6⁽²⁶⁾, design for brittle fracture shall comply with NZS 3404⁽²⁵⁾. In addition to plates and rolled sections, consideration shall also be given to the brittle fracture of steel elements complying with standards other than those listed by NZS 3404⁽²⁵⁾ (eg fixings, high strength bars).

The design of concrete deck slabs for composite bridges for the actions of live load on the concrete deck shall be in accordance with NZS 3101⁽¹⁾, except that the design of shear connection between the concrete deck slab and steel girders and the design for longitudinal shear occurring within the deck slab and paps shall comply with AS 5100.6⁽²⁶⁾. The requirements of AS 5100.6⁽²⁶⁾ section 6.1, as they relate to the design of the concrete deck slab, where they require a greater quantity of reinforcement than required by NZS 3101⁽¹⁾, shall also be complied with.

The NZTA research report 525 *Steel-concrete composite bridge design guide*⁽²⁷⁾ provides guidance on the design of steel girder bridge superstructures to AS 5100.6⁽²⁶⁾.

4.3.2 Application of NZS 3404⁽²⁵⁾

a. Design loadings (clause 3.2.3)

The design load combinations for the ultimate limit state (ULS) and serviceability limit state (SLS) shall be those specified in this manual.

b. Seismic design structural performance factor (clause 12.2.2.1)

The structural performance factor (S_p) shall be as specified in this manual.

c. Damping values and changes to basic design seismic load (clause 12.2.9)

Within this clause, the wording 'loadings standard' shall be replaced by 'the NZ Transport Agency's *Bridge manual*'.

d. Methods of analysis of seismic-resisting systems (clause 12.3.2)

Within this clause, the wording 'loading standard' shall be replaced by 'the NZ Transport Agency's *Bridge manual*'.

4.3.3 Application of AS5100.6⁽²⁶⁾

- a. General - Aim (clause 3.1.1) and Design for the ultimate limit state (clause 3.1.2)

Within section 3.1, reference to AS 5100.1 *Bridge design* part 1 Scope and general principles⁽²⁸⁾ shall be replaced by New Zealand Transport Agency *Bridge manual*.

- b. Design for serviceability - Vibration of beams (clause 3.3.3) and Steel reinforcement (clause 3.3.5)

Within clause 3.3.3, reference to AS 5100.2 *Bridge design* part 2 Design loads⁽²⁹⁾ shall be replaced by New Zealand Transport Agency *Bridge manual*.

Within clause 3.3.5, reference to AS 5100.5⁽¹¹⁾ shall be replaced by New Zealand Transport Agency *Bridge manual*, clause 4.3.1.

- c. Fatigue loading (clause 13.2)

Within clause 13.2, reference to AS 5100.2⁽²⁹⁾ shall be replaced by New Zealand Transport Agency *Bridge manual*.

4.3.4 Seismic resistance

Where materials design codes other than NZS 3404⁽²⁵⁾ are applied, if steel members are required to provide the ductility and energy dissipating capability of the structure, the principles set out in section 12 of NZS 3404⁽²⁵⁾ shall be followed. The recommendations of the NZNSEE study group on *Seismic design of steel structures*⁽³⁰⁾ shall also be followed where applicable.

4.3.5 Fatigue design

Assessment of the fatigue resistance of steel structure components shall be based on the respective design standard adopted for the design of the component as per 4.3.1. For comment on the fatigue loading see 3.2.6 of this document.

4.3.6 Durability and corrosion protection

- a. Corrosion protection systems

Corrosion protection systems for structural steelwork shall comply with AS/NZS 2312 *Guide to the protection of structural steel against atmospheric corrosion by the use of protective coatings*⁽³¹⁾.

Primary structural members and elements not easily accessed or replaced (eg bearing plates, deck joint components) in steel shall be corrosion protected with a system capable of achieving a time to first maintenance of at least 40 years unless agreed otherwise with the road controlling authority.

Secondary steelwork elements (eg barriers, handrails) shall be corrosion protected with a system capable of achieving a time to first maintenance of at least 25 years.

The terminology "time to first maintenance" and "time to first major maintenance" shall be taken to have the same meaning and to be as defined by NZS 3404.1⁽²⁵⁾ clause 5.1.2. Additional guidance on the selection of corrosion protection systems, in particular for those systems capable of achieving an expected life to first maintenance of in excess of 40 years, is given in the New Zealand Heavy Engineering Research Association (HERA) report R4-133 *New Zealand steelwork corrosion and coatings guide*⁽³²⁾. Where the corrosivity of the environment is such that achieving the above levels of performance is impractical or not economically viable, a lower level of performance may be proposed and justified within the structure design statement.

Thermal metal spray systems shall be seal coated as recommended in AS/NZS 2312⁽³¹⁾ to give uniformity of appearance.

4.3.6 continued

b. Weathering steel

Weathering steel shall only be used in locations and environments that are suitable for its use as defined by the HERA report R4-97 *New Zealand weathering steel guide for bridges*⁽³³⁾ and only with the prior approval of the road controlling authority. The design and detailing guidance provided by HERA report R4-97⁽³³⁾ shall be complied with.

4.3.7 Certification of steel

All steel, bolts, nuts and washers shall comply with the requirements of NZS 3404.1⁽²⁵⁾ and standards listed therein. Additional acceptable compliance standards to those listed in NZS 3404.1⁽²⁵⁾, acceptable for compliance to, for specific materials, are:

- For nuts: AS 1112 *ISO metric hexagon nuts*⁽³⁴⁾
- For washers: AS 1237.1 *Plain washers for metric bolts, screws and nuts for general purposes – General plan*⁽³⁵⁾
- For high tensile bars: BS 4486 *Specification for hot rolled and hot rolled and processed high tensile alloy steel bars for the prestressing of concrete*⁽³⁶⁾

Evidence of compliance with the specified standards shall be obtained and shall comprise test reports or test certificates prepared by a laboratory recognised by signatories to the International Laboratory Accreditation Cooperation (ILAC) Mutual Recognition Agreement (MRA) on behalf of the manufacturer. These documents are to be traceable to the specific batches of material used.

Alternatively for fasteners, an IANZ endorsed proof load and wedge test certificate showing they comply with the specified standard may be provided.

4.4 Timber

4.4.1 General

Design shall be in accordance with the appropriate following standards, except as modified by 4.4.2:

- NZS 3603 *Timber structures standard*⁽³⁷⁾ for the timbers that it covers
- AS 1720.1 *Timber structures part 1 Design methods*⁽³⁸⁾ for the timbers that it covers that are not covered by NZS 3603⁽³⁷⁾
- Characteristic stresses adopted for design to AS 1720.1⁽³⁸⁾ shall be in accordance with AS 1720.2 *Timber structures part 2 Timber properties*⁽³⁹⁾ and AS/NZS 2878 *Timber – Classification into strength groups*⁽⁴⁰⁾.

4.4.2 Strength reduction factors, characteristic stress/strength modification factors and live load factor

Strength reduction factors shall conform to those given in AS 1720.1⁽³⁸⁾ table 2.1, corresponding to the type of timber product (eg sawn timber, round timbers) and type of grading (eg visually graded, machine graded, proof graded).

For bridges carrying less than 2500 vehicles per day, the duration of load factor may be increased to 0.94 for load combination 1A of table 3.2.

For the grid system or parallel support system modification factor (k_4 , k_5 or k_6 in NZS 3603⁽³⁷⁾ or k_9 in AS 1720.1⁽³⁸⁾) to apply, in the event of the failure of a single supporting member, the overlying members or sheathing material shall be capable of transferring loads to the adjacent supporting members. Otherwise the grid system or parallel support system modification factor shall be taken as 1.0.

Where a bridge possesses smooth sealed approaches the live load dynamic load factor may be taken as follows:

4.4.2 continued	Dynamic load factor = $1.0 + (I - 1.0) \times 0.7$ Where I is the dynamic load factor defined by 3.2.5.
4.4.3 Seismic resistance	Design shall comply with NZS 3603 ⁽³⁷⁾ clause 2.12 for seismic resistance except that the design loading shall be in accordance with this document.
4.4.4 Durability	In order to ensure long-term durability in timber bridge members, particular attention shall be given to the following: <ul style="list-style-type: none"> • in-service moisture content and the effects of its variation • member deflections • connection design.

4.5 Aluminium

Design shall be in accordance with AS/NZS 1664.1 *Aluminium structures* part 1 Limit state design⁽⁴¹⁾ with the following provisos:

a. Loading (clause 2.3)

The loads on the structure shall be in accordance with this document.

b. Loading combinations and load factors (clause 2.4)

The required forces, moments and stresses for the applicable loads shall be determined by structural analysis for the load combinations as indicated in this document.

c. Earthquake (clause 2.5)

All structures shall be designed for the loads and load combinations specified in this document. The limitations on structural ductility factor given in AS/NZ 1664.1⁽⁴¹⁾ clause 2.4(b)(i) and (ii) shall apply. The structural performance factor (S_p) shall be as specified in this document.

4.6 Other materials

The criteria applying to the use of materials not mentioned in this document will be subject to the approval of the road controlling authority.

4.7 Bearings and deck joints

4.7.1 General

a. Design code

The design and performance of bearings and deck joints shall comply with AS 5100.4 *Bridge design* part 4 Bearings and deck joints⁽⁴²⁾ except as modified herein. Where there may be conflict between the requirements of AS 5100.4⁽⁴²⁾ and this document, this document shall take precedence.

4.7.1 continued

b. Elastomeric bearings

Reference to elastomeric bearings herein shall also include laminated elastomeric bearings fitted with a lead cylinder, commonly referred to as lead-rubber bearings, used for the dissipation of earthquake energy.

c. Deck joints

The number of deck joints in a structure shall be the practical minimum.

In principle, deck slabs should be continuous over intermediate supports, and bridges with overall lengths of less than the limits specified by 4.8.2(a) and skews of less than 30° should have integral or semi-integral abutments. It is accepted that deck joints may be necessary in longer bridges to cater for periodic changes in length. They may also be necessary where the structural system, adopted with the objective of minimising earthquake damage (eg base isolation with mechanical energy dissipation, or rocking piers), requires the structure to be free to displace.

The form of deck joints to be used shall be nominated in the structure options report or structure design statement and shall be subject to the approval of the road controlling authority. For bridges requiring deck joint gaps exceeding 25mm, the NZTA's preferred form of deck joint is the single elastomeric seal retained by metal nosings. For very long bridges where appropriate, single seal deck joints at maximum spacing along the bridge length are preferred to multiple seal joints.

d. Access and provision for inspection, maintenance and repair

Access and provisions for inspection, maintenance and repair of bearings and deck joints shall comply with 2.1.9.

4.7.2 Modifications and extensions to the AS 5100.4⁽⁴²⁾ criteria for bearings

a. Limit state requirements and robustness

Pot bearings shall be designed for both the serviceability and ultimate limit states. Elastomeric bearings shall be designed for serviceability limit state effects, with the bearing fixings and overall bridge structure stability checked at the ultimate limit state.

Particular consideration shall be given to the robustness of bearings and their fixings to damage or loss of stability due to earthquake actions.

b. Bearings inspection and replacement

All bearings, other than thin elastomeric strip bearings less than 25mm in thickness, shall be able to be inspected and replaced without the removal of any structural concrete or cutting of steelwork.

Provision shall be made in the design for jacking from the substructure sills on which the beams are supported during bearing replacement. Replacement of bearings shall be possible with minimal disruption to traffic on the bridge, or to traffic beneath the bridge.

c. Design loads and movements and load factors

Reference in AS 5100.4⁽⁴²⁾ to design loads and movements and load factors given in AS 5100.2⁽²⁹⁾ shall be replaced by reference to chapter 3 of this manual.

4.7.2 continued

d. Anchorage of bearings

Bearings, other than thin elastomeric strip bearings less than 25mm in thickness, shall be positively anchored to the bridge structure above and below to prevent their dislodgement during response to the ultimate limit state design intensity or greater earthquake unless the bridge superstructure is fully restrained by other means against horizontal displacement relative to the support. Reliance shall not be placed on friction alone to ensure safety against sliding. The bearing restraint system for horizontal load shall be designed to resist the full horizontal force to be transmitted by the bearing from the superstructure to the substructure.

For laminated elastomeric bearings, horizontal restraint shall be provided by dowels or bolts engaging in thick outer shims within the bearing or by vulcanising the bearings to external plates that are fixed in position to the structure by bolts. External restraining cleats shall not be used. Dowels shall generally be located as close to the centre of the bearing (in plan) as practicable, to prevent them from disengaging due to deformation of the edges of the bearing under the high shear strain that may be developed during response to a strong earthquake.

Dowels, as a means of bearing lateral restraint, do not need to be removable to allow bearing replacement provided that the bridge superstructure can be jacked sufficiently to enable the bearings to be lifted, disengaged from the restraining dowels, and slid out of position.

e. Bearing set back from the edge of concrete bearing surfaces and confinement of bearing surfaces

Bearings shall be set sufficiently far back from the edge of concrete bearing surfaces to avoid spalling of the corner concrete, and where bearing pressures are high, confining reinforcement shall be provided to prevent tensile splitting of the concrete. Consideration shall be given to the redistribution of pressure on the concrete bearing surface due to horizontal loads such as from earthquake action.

f. Elastomeric bearings

Elastomeric bearings shall conform with the requirements of AS 5100.4⁽⁴²⁾, except that steel reinforcing plates may be a minimum of 3mm thick.

Wherever feasible, bearings shall be chosen from those commercially available, but this does not preclude the use of individual designs where circumstances justify it.

Under service conditions that exclude earthquake effects, the maximum shear strain in a bearing (measured as a percentage of the total rubber thickness being sheared) shall not exceed 50%. Under response to the ultimate limit state design intensity earthquake, plus other prevailing conditions such as shortening effects, the maximum shear strain shall not exceed 100% and bearing vertical loads and combined strains shall not exceed those normally allowable by more than 50%.

In the design of elastomeric and lead-rubber bearings, the following considerations shall be given particular attention:

- In evaluating the stability against roll-over, consideration shall be given to the sensitivity of the stability to an extreme earthquake, as safety factors can be rapidly eroded.
- In bridges with prestressed concrete superstructures and the spans either continuous or tightly linked, consideration shall be given to the long-term effects of shrinkage and creep shortening of the superstructure due to the prestress on the bearings.

4.7.3 Modifications to the AS 5100.4⁽⁴²⁾ criteria for deck joints

a. General requirements

The maximum opening of a deck joint will generally be determined by earthquake conditions at the ultimate limit state. No limitation applies to the maximum design width of an open gap joint under these conditions.

The maximum width of open gap between expansion joint components at deck surface level, at the ultimate limit state, under non-seismic load combinations in table 3.2, shall not exceed 85mm.

b. Design loads

Deck joints and their fixings shall be designed for the following loads in place of those specified by the AS 5100.4⁽⁴²⁾:

i. Vertical at ultimate limit state

The vehicle axle loads defined in 3.2.2 together with a dynamic load factor of 1.60. The load factors to be applied shall be 2.25 to an HN axle load, and 1.49 to an HO axle load.

ii. Vertical at serviceability limit state

The HN vehicle axle load defined in 3.2.2 together with a dynamic load factor of 1.60 and a load factor of 1.35.

iii. Fatigue

The HN vehicle axle load defined in 3.2.2 together with a dynamic load factor of 1.60 and a load factor of 0.80.

iv. Longitudinal

The local vehicle braking and traction forces specified in 3.3.1, combined with any force due to the stiffness of, or friction in, the joint. The ultimate limit state load factor to be applied to the combined force shall be 1.35.

c. Movements

i. Deck joints shall be designed to accommodate the movements due to temperature, shortening and earthquake specified in 5.5.1 and to otherwise satisfy the requirements of 5.5.1.

ii. Deck joints shall be designed to accommodate the ultimate limit state movements from table 3.2 load combinations, except those for load combination 3A (seismic), and shall include the effect of beam end rotation under live load.

d. Anchorage

The second paragraph of AS 5100.4⁽⁴²⁾ clause 17.4 shall be replaced by the following:

Where the deck joint is attached by bolts, fully tensioned high tensile bolts shall be used. The spacing of the bolts shall not be greater than 300mm and the bolts shall develop a dependable force clamping the joint to the concrete substrate, of not less than 500kN per metre length on each side of the joint.

Where appropriate, deck joint anchor bolts shall be sleeved through the deck and anchored on the underside with nuts & locknuts. Such hardware shall be replaceable.

4.7.3 continued

e. Drainage

The AS 5100.4⁽⁴²⁾ clause 17.5 shall be replaced by the following:

Deck joints shall be watertight unless specific provision is made to collect and dispose of the water. Deck run-off shall be contained from spilling over the sides of the bridge. Sealed expansion joints, where the gap is sealed with a compression seal, elastomeric element or sealant, are preferred.

Open joints, where the gap is not sealed, shall be slightly wider at the bottom than at the top to prevent stones and debris lodging in the joint, and shall include a specific drainage system to collect and dispose of the water. Such drainage systems shall be accessible for cleaning.

The design of drainage systems shall accommodate a serviceability limit state movement across the deck joints of the bridge of not less than the greater of:

- one quarter of the calculated relative movement under the ultimate limit state design earthquake conditions, plus long-term shortening effects where applicable, and one third of the temperature induced movement from the median temperature position; and
- long term shortening plus the full design temperature induced movement from the median temperature position

without sustaining damage. Under greater movements, the drainage system shall be detailed so that damage is confined to readily replaceable components only.

f. Installation

Deck joints and the parts of the structure to which they are attached shall be designed so that the joint can be installed after completion of the deck slab in the adjacent span(s).

4.7.4 Additional criteria and guidance for deck joints

a. General

Notwithstanding the requirements of 2.1.6(b) for movement joints as a whole, replaceable components of joints (eg elastomeric seals) shall have a minimum service life of 15 years and shall be replaceable without the need for modification to the joint and adjacent structural elements.

b. Joint type and joint system selection

Movement joints shall be selected on the basis of low life-time costs and maintenance requirements, and user (vehicle, cyclist and pedestrian) safety.

Deck joints shall be designed to provide for the total design range and direction of movement expected for a specific installation. The guidance provided by BD33 *Expansion joints for use in highway bridge decks*⁽⁴³⁾ shall be considered with respect to the movement capacity of common joint types.

Acceptance of a proprietary joint system shall be subject to that system satisfying the requirements of this manual and the additional project-specific performance requirements. All dimensional and performance requirements, including movement capacity, shall be specified in the design to enable manufacturers to offer joints that are best suited to meet the requirements.

4.7.4 continued

The characteristics and performance history of a particular joint shall be reviewed to determine the suitability of the joint for a specific installation. The information provided in *Performance of deck expansion joints in New Zealand road bridges*⁽⁴⁴⁾ and *Bridge deck expansion joints*⁽⁴⁵⁾ shall be considered with respect to the performance history of deck joints.

Proprietary deck joint suppliers shall provide a warranty on the serviceability of their joint(s) for a period of ten years after installation. The warranty shall cover all costs associated with rectification of a joint, including traffic control costs.

c. Joint sealing elements

Joint sealing elements (eg compression seals, elastomeric membrane seals, sealants) shall be resistant to water, oil, salt, stone penetration, abrasion and environmental effects, and shall be readily replaceable. Compression seals shall not be used in situations where concrete creep shortening and/or rotation of the ends of beams under live loading will result in decompression of the seal.

Sealants shall be compatible with the materials with which they will be in contact. It is typically necessary to provide a separation barrier between sealant and bituminous deck surfacing. Irrespective of claimed properties, sealants shall not be subjected to more than 25% strain in tension or compression. The modulus of elasticity of the sealant shall be appropriate to ensure that, under the expected joint movement, the tensile capacity of the concrete forming the joint is not exceeded. The joint shall be sealed at or as near the mean of its range of movement as is practicable. Base support for joint sealants shall be provided by durable compressible joint fillers with adequate recovery and without excessive compressive stiffness.

Joint seals or sealant shall be set 5mm lower than the deck surface to limit damage by traffic.

d. Nosings

New bridges and deck replacements shall be designed with a concrete upstand the height of the carriageway surfacing thickness and at least 200mm wide between the deck joint and the adjacent carriageway surfacing. This is to act as a dam to retain the surfacing and to isolate the surfacing from any tensile forces imposed on the deck by the joint system.

e. Asphaltic plug (elastomeric concrete) joints

Asphaltic plug joints are in-situ joints comprising a band of specially formulated flexible material, commonly consisting of rubberised bitumen with aggregate fillers. The joint is supported over the gap by thin metal plates or other suitable components.

Except in retrofit applications where the existing structural configuration prevents these joint dimensional requirements being met, elastomeric concrete plug joints shall be designed and specified to have a minimum thickness of 75mm and a minimum width of bond with the structure on either side of the joint gap of 200mm. Such joints shall be designed by the supplier or the supplier's agent to take account of the predicted movements at the joint including rotation of the ends of the bridge decks to be joined due to traffic loads.

Where proposed for use in retrofit situations with dimensions less than those specified above, evidence shall be supplied to the road controlling authority of satisfactory performance of the joint system under similar or more demanding traffic conditions with a similar joint configuration over periods of not less than 5 years.

4.8 Integral and semi-integral abutments

4.8.1 Definitions

- a. An integral abutment is defined as one that is built integrally with the end of the bridge superstructure and with the supporting piles or footing. The abutment therefore forms the end diaphragm of the superstructure and the retaining wall for the approach filling. The supporting piles are restrained against rotation relative to the superstructure, but are free to conform to superstructure length changes by pile flexure.
- b. A semi-integral abutment is defined as an integral abutment that contains provision for relative rotation, but no more than limited translation, between the superstructure and the supporting piles or footing.

4.8.2 Design criteria

Integral and semi-integral abutments are acceptable for bridges that meet the following criteria:

- a. Length between the rear faces of abutments not exceeding:
 - with concrete superstructure 70m
 - with steel superstructure main members 55m

These values may be doubled for a length of superstructure that contains an intermediate temperature movement deck joint.
- b. The abutment piles and surrounding soil shall possess adequate flexibility to enable superstructure length changes to occur without structural distress.
- c. An approach settlement slab complying with 4.12.2 shall be attached to the back face of the abutment.

Integral and semi-integral abutments are acceptable for longer bridges provided rational analysis is applied to evaluate the effect of the superstructure length change on the supporting piles. Adequate measures shall also be taken to ensure the bridge approach remains serviceable.

In addition to withstanding the normal design loading combinations, bridges with integral or semi-integral abutments shall be designed to avoid collapse of the bridge under the maximum considered earthquake event (MCE) as defined in sections 5 and 6. This may require that the bridge abutments and superstructure be designed to withstand the maximum passive pressure capacity able to be mobilised by the soil to act on the abutments.

4.8.3 Application of BA 42⁽⁴⁶⁾

The design of integral abutments for resistance to longitudinal thermal movements and braking loads shall comply generally with the UK Design Manual for Roads and Bridges document BA 42 *The design of integral bridges*⁽⁴⁶⁾ as outlined below. For seismic loading and other loadings outside the scope of BA 42⁽⁴⁶⁾ reference should be made to alternative literature, such as:

- *Recommended LRFD guidelines for the seismic design of highway bridges*⁽⁴⁷⁾
- *Backbone curves for passive lateral response of walls with homogenous backfills*⁽⁴⁸⁾.

The general design requirements given in sections 1 and 2 of BA 42⁽⁴⁶⁾ should be adopted for bridges with integral abutments. Earth pressures on integral abutment walls arising from temperature movements shall be calculated using the provisions of section 3 of BA 42⁽⁴⁶⁾.

4.8.3 continued

The following notes provide information on the design parameters used in BA 42⁽⁴⁶⁾ but not adequately defined and the changes required to BA 42⁽⁴⁶⁾ to make it consistent with the provisions of the *Bridge manual*. The applicability of the various documents referenced in BA 42⁽⁴⁶⁾ and cross-references to relevant provisions of the *Bridge manual* are also noted.

a. Sections 1.1, 2.4 and 2.15

BD 57 *Design for durability*⁽⁴⁹⁾ provides design requirements, and BA 57 *Design for durability*⁽⁵⁰⁾ design advice on design for durability and information on various methods of achieving continuity between spans to eliminate deck joints, which may lead to a more durable design. Not all of the requirements or advice however is appropriate to New Zealand conditions. Design for durability shall comply with this manual and its supporting materials design standards which set out the requirements for durability design of materials and of various structural elements.

b. Section 1.4

BD 30 *Backfilled retaining walls and bridge abutments*⁽⁵¹⁾ provides design requirements on backfilled retaining walls and abutments and may be used in conjunction with BA 42⁽⁴⁶⁾.

c. Section 1.5

BD 31 *The design of buried concrete box and portal frame structures*⁽⁵²⁾ provides design requirements on buried concrete box structures and may be used in conjunction with BA 42⁽⁴⁶⁾.

d. Section 2.5

The limit of ± 20 mm is for thermally induced cyclic movements and is not intended to include creep, shrinkage or earthquake load induced movements. This limit may be exceeded subject to a rational analysis as outlined in 4.8.2 of this manual.

e. Section 2.6

Temperature difference, shrinkage and creep effects are covered in 3.4.4 and 3.4.6 of this manual and should be used instead of the loads given in the referenced documents (ie BD 24 *The design of concrete highway bridges and structures. Use of BS 5400: Part 4: 1990*⁽⁵³⁾ and BD 37 *Loads for highway bridges*⁽⁵⁴⁾).

f. Section 2.7

The load factors specified in 3.5 of this manual shall be used instead of the factors specified in BD 37⁽⁵⁴⁾.

g. Section 2.8

The load factors for passive pressure forces shall be as specified in 3.5 of this manual.

h. Section 2.9

The soil material strength reduction factors given in 6.5.3 of this manual shall be used instead of the material partial safety factors specified in this section.

i. Section 2.10

The characteristic thermal strains given in this section are not consistent with the provisions of this manual. They shall be calculated using the temperature differences given in 3.4.6 of this manual. For the purpose of estimating temperature induced pressures on the abutment walls the load factor applied to thermal strains shall be taken as 1.0.

4.8.3 continued

j. Section 2.11

New Zealand mean temperatures can be found from NIWA's *New Zealand mean annual temperature (°C), 1971 - 2000*⁽⁵⁵⁾.

k. Section 2.16

In place of reference to BD 24⁽⁵³⁾, reference shall be made to NZS 3101⁽¹⁾ for serviceability requirements under design live loading.

l. Section 3.3

In BS 8002 *Code of practice for earth retaining structures*⁽⁵⁶⁾ the soil design strength is defined as; "Soil strengths which are assumed will be mobilized at the occurrence of a limit state. The design value of soil strength is the lower of either the peak soil strength reduced by a mobilization factor or the critical state strength." Clause 3.1.8 of BS 8002⁽⁵⁶⁾ states: "Single design values of soil strength should be obtained from consideration of the representative values for peak and ultimate strength. The value so selected will satisfy simultaneously the considerations of ultimate and serviceability limit states. The design value should be the lower of:

- i. That value of soil strength, on the stress-strain relation leading to peak strength, which is mobilized at soil strains acceptable for serviceability. This can be expressed as the peak strength reduced by a mobilization factor M as given in 3.2.4 or 3.2.5; or
- ii. That value which would be mobilized at collapse, after significant ground movements. This can generally be taken to be the critical state strength."

m. Section 3.4

For determining wall pressures arising from thermal expansion, values of K_p should be based on design ϕ' and $\delta = \text{design } \phi'/2$. K_p can be taken from the chart shown in figure 4.2 which has been adapted from BS EN 1997-1 *Eurocode 7. Geotechnical design part 1 General rules*⁽⁵⁷⁾ by adding a curve for $\delta/\phi' = 0.5$.

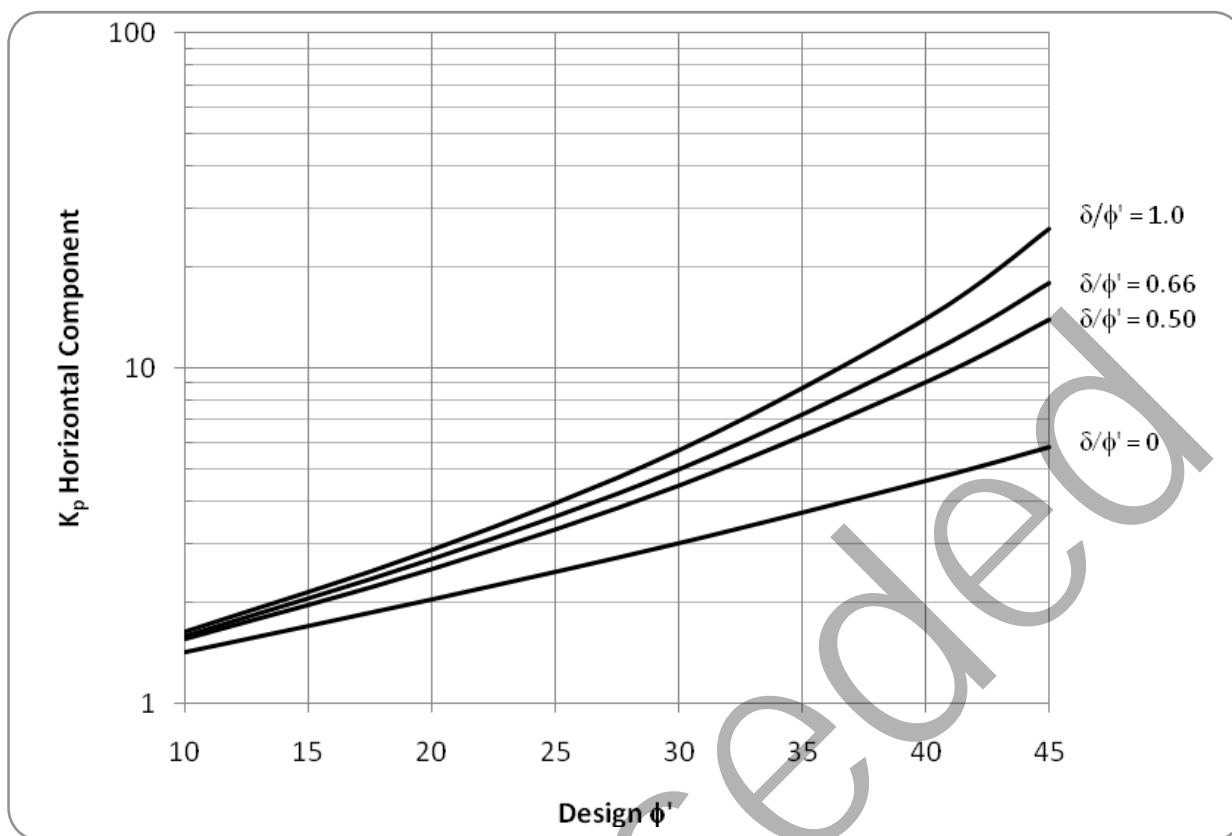
In combining load effects, as specified in 3.5, the pressure due to thermal expansion shall be treated as a temperature load (TP).

n. Section 3.5.1

For wall heights up to 3m, K^* should be assumed to act uniformly over the height of the abutment wall.

o. Sections 3.8, 3.9, and 3.15

Selected free draining granular backfill should be used within a distance behind the wall equivalent to twice the height of the abutment wall. The material should be carefully selected to allow displacement of the abutment wall under thermal expansion of the bridge. This may require any in situ rock or very stiff materials to be excavated and replaced with fill materials to accommodate such movements. The material should be compacted using hand compaction methods to avoid damage to the structure, minimise compaction pressures and displacement during the compaction process. Large compaction plant shall not be used. The compaction shall achieve a minimum of 95% of the maximum dry density, and comply with the requirements of NZTA specification TNZ F/01 *Earthworks construction*⁽⁵⁸⁾. In addition, a drainage layer and sub-soil drain (NZTA specifications TNZ F/02 *Pipe subsoil drain construction*⁽⁵⁹⁾ or TNZ F/06 *Fabric wrapped aggregate subsoil drain construction*⁽⁶⁰⁾) should be incorporated behind the wall to avoid groundwater pressures on the wall.

Figure 4.2: Coefficient of passive earth pressure (horizontal component) for vertical wall and horizontal backfill

4.9 Network and tied arch bridges – hanger supports

Hangers supporting the bridge deck from the main arch ribs shall be protected from vehicle collision by a barrier system of minimum performance level 5.

The design of each hanger and associated structure shall consider the following three scenarios and associated design requirements:

- a. Scenario 1: Failure of a single hanger due to fatigue

Design load case: $1.20DL + 1.20SDL + 1.20(LL \times I) +$ hanger loss dynamic forces

Where:

DL = dead load of structural components and non-structural attachments

SDL = superimposed dead loads as specified in 3.4.2

LL = HN (normal) traffic live load placed in their actual marked lanes, using lane factors in accordance with 3.2.4(a)

I = dynamic load factor

The hanger loss dynamic forces shall be taken as twice the static force in the hanger unless demonstrated by a suitable time history analysis that a lesser hanger loss dynamic force is appropriate. The hanger loss dynamic force shall not be taken to be less than 1.5 times the static force in the hanger.

4.9 continued

b. Scenario 2: Continued bridge operation while a hanger is repaired

Design load case: $1.35DL + 1.35SDL + 1.5(LL \times I) + FP$ + hanger exchange forces

Where:

DL = dead load of structural components and non-structural attachments

SDL = superimposed dead loads as specified in 3.4.2

LL = HN (normal) traffic live load placed in their actual marked lanes, using lane factors in accordance with 3.2.4(a)

I = dynamic load factor

FP = pedestrian and cycle track loading

Hanger exchange forces include the redistribution of loads through the structure as a result of the missing hanger and/or replacement of the missing hanger when it is repaired.

The above load combination is to be considered with the traffic live load placed in their marked lanes with each hanger in turn, one at a time, missing to evaluate the bridge under an 'unnoticed lost hanger' scenario.

c. Scenario 3: Hanger failure due to collision

Within a single plane of hangers, all hangers within any 4.0m length taken at the level of the bottom chord, but not less than two hangers, adjacent to or crossing each other, shall be considered to break, one after the other, sequentially.

Design Load Case: $1.20DL + 1.20SDL + 1.0(LL \times I)$

Where:

DL = dead load of structural components and non-structural attachments

SDL = superimposed dead loads as specified in 3.4.2

LL = traffic live load taken as one 36 tonne vehicle positioned as described below

I = dynamic load factor

The traffic live load shall be distributed longitudinally along the bridge over a 12m length positioned symmetrically about the group of breaking hangers. (Eg in the case of there being only two hangers crossing each other that break, the live load shall be distributed symmetrically either side of the point where the hangers cross.) The vehicle shall be taken to be 2.5m wide positioned on the carriageway against the traffic barrier adjacent to the breaking hangers.

Loads and conditions shall be applied to the arch span as follows:

- One hanger shall be removed from the structural model (considered to have failed ahead of the second hanger).
- At the second hanger to fail position, the hanger shall be removed from the structural model and inward forces applied to the arch rib and bottom tension chord in the line of the hanger equal to $1.2F_{pu} - F$.

4.9 continued

Where:

F_{pu} = characteristic failure load of the hanger

F = load in the hanger before failure under $1.20DL + 1.20SDL + 1.0(LL \times I)$

Inward forces means: When applied to the arch rib, the force is acting in the direction towards the bottom tension chord, and when applied to the bottom tension chord, the force is acting in the direction towards the arch rib.

- The arch shall remain stable. Yielding is to be avoided in the arch rib and in all elements that could lead to instability or that are not easily repaired.
- The effect of the hangers potentially being deflected out of the plane of the arch at the time when they break, imposing lateral loading on the arch, shall be considered. The level at which the cable is struck shall be taken as anywhere between the top of the barrier and 4.3m above deck level.
- Also the effects of the hanger being deflected sideways in a collision on end connections of the hanger to the arch rib and bottom tension chord are to be considered. Hanger connections are to be detailed to allow for their easy repair and hanger replacement throughout the design life of the bridge.

4.10 Buried structures

4.10.1 General

The design and construction of corrugated metal structures shall comply with AS/NZS 2041 *Buried corrugated metal structures*⁽⁶¹⁾ (the most relevant and up-to-date version or part thereof) except as modified or superseded herein.

The design of concrete box culvert structures shall comply with NZS 3101⁽¹⁾.

The design of precast concrete pipes shall comply with AS/NZS 3725 *Design for installation of buried concrete pipes*⁽⁶²⁾ and AS/NZS 4058 *Precast concrete pipes (pressure and non-pressure)*⁽⁶³⁾ except as modified or superseded herein.

The design requirements set out below shall supersede those included in the AS or NZS standards for defining loads and the load application to the buried structure. The requirements of the respective AS and NZS standards shall be used for determining the internal forces and actions for the buried structure and for determining the appropriate acceptance criteria, except as otherwise amended.

The design and detailing of buried structures shall be such that the design working life is achieved without reconstruction or major rehabilitation within that period (except as outlined below). Sufficient investigation shall be undertaken to ensure the aggressiveness of the site (corrosion, abrasion and chemical attack) is appropriately evaluated and the structure designed for durability accordingly.

For sites where the buried structure is under large fill heights or in a location where future replacement or rehabilitation may be very expensive, longer service life options or options including specific provision for future rehabilitation (eg installing an oversize pipe to allow for future sleeving) shall be considered.

4.10.1 continued

Design of corrugated steel structures shall be on the basis of one of the following approaches:

- a. For a design working life of 100 years with, in addition to the initial galvanising, sacrificial wall thickness provided to compensate for the loss of section due to corrosion, or a supplementary corrosion protection system provided, capable of enabling the structure to achieve the specified durability.
- b. For a design working life of 50 years, but oversized sufficiently to enable sleeving at the end of its life with a smaller sized barrel satisfying the waterway requirements of this manual. The adoption of this option shall be based on a comparison of the 'whole of life' costs over a 100-year period of this option, including the cost of sleeving, with the cost of option (a). Use of this option shall be subject to the approval of the road controlling authority.

Where significant abrasion over the life of the structure is anticipated, a concrete invert shall be installed at initial construction.

Clause 2.8.2.1 of AS/NZS 2041.2⁽⁶¹⁾ shall be modified by adding the following to the end of the first paragraph:

- Each uncoated area for renovation shall not exceed 1000mm². If uncoated areas are larger, the article containing such areas shall be regalvanized unless agreed otherwise between the road controlling authority and the galvanizer.

Pipe and corrugated metal culverts shall be provided with not less than 600mm of cover.

In determining the size and shape of the buried structures appropriate consideration shall be given to fish passage, climate change, and inspection and maintenance requirements. Design shall consider the effects of vibration, settlement, batter stability, piping/erosion and possible earthquake induced ground deformation or liquefaction on the structure.

The Austroads *Guidelines for design, construction, monitoring and rehabilitation of buried corrugated metal structures*⁽⁶⁴⁾ provides useful guidance.

4.10.2 Rigid buried structures

Rigid buried structures include concrete box, concrete arch and precast concrete pipe. Precast concrete pipes used on state highways shall be steel reinforced.

Design live loadings and their application shall be as follows:

- The full range of load case and combinations as specified in section 3 shall be evaluated and met at both the serviceability and ultimate limit states.
- The HN and HO load footprints applied to the pavement shall be as specified in section 3. The load spread through the fill above the buried structure shall use the AS 5100.2⁽²⁹⁾ section 6.12 'double trapezoidal prism' consisting of 0.5:1 load spread in the top 0.2m and 1.2:1 load spread through the remaining cover depth when the cover depth equals or exceeds 0.4m. The 3.5kPa traffic load UDL shall be applied with no load spread. The dynamic load factor shall be applied as set out in 3.2.5.
- When the cover depth is less than 0.4m the HN and HO footprints shall be applied directly to the top surface of the buried structure, in conjunction with the 3.5kPa UDL, to generate the worst internal action effect. The dynamic load factor appropriate to the least design cover depth shall be applied as set out in 3.2.5.
- Rigid buried structure design shall include the 1.35HN serviceability limit state combination.

4.10.2 continued

- For precast concrete pipes, for the situation under consideration, the class of pipe required shall be derived from AS/NZS 4058⁽⁶³⁾ based on the required proof load capacity determined in accordance with AS/NZS 3725⁽⁶²⁾.

4.10.3 Semi-rigid and flexible buried structures

Semi-rigid and flexible buried structures include corrugated metal structures. Design live loadings and their application shall be as follows:

- The full range of load case and combinations as specified in section 3 shall be evaluated and met.
- Unless a soil - structure interaction analysis (which takes structure stiffness, foundation stiffness and the type, compaction and drainage of the backfill into account) is undertaken then the HN-HO-72 live load pressure to be applied to the crown of the buried structure shall be determined as follows:

$$P_v = 1.35(32H^{-1.852} + 3.5)$$

Where:

P_v = vertical pressure in kPa on the plan projected area of the structure due to HN-HO-72 live loads including dynamic load effects and the serviceability load factor of 1.35 on live load.

H = minimum depth of cover in m measured from the trafficked surface level to the crown of the pipe

This equation is appropriate for cover depths greater than or equal to 0.6m and includes HN, HO and dynamic load factor effects. For the purpose of serviceability limit state design it is appropriate to assume that the 1.35HN traffic pressure governs for cover depths less than 0.9m using load combination 1A from table 3.1 or 3.2 and HO traffic pressure governs for cover depths equal to or greater than 0.9m using load combination 4 from table 3.1 or 3.2. For the ultimate limit state load combination 1A (table 3.2) the traffic pressure determined from the above formula shall be divided by 1.35 to determine the basic HN traffic load pressure before applying the specified load factors.

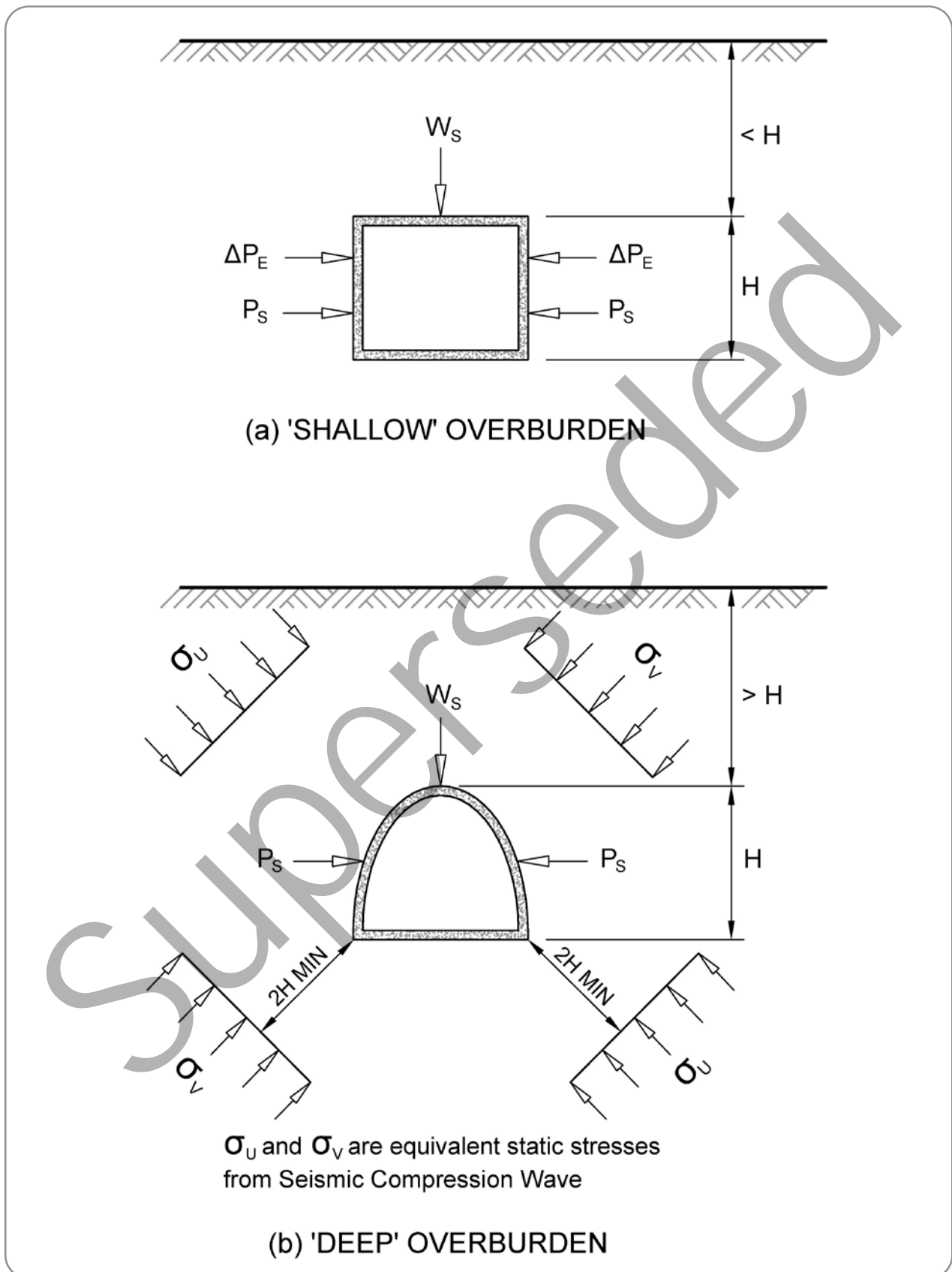
- Unless the depth of cover to the structure equals or exceeds the diameter or span of the structure no load reduction shall be made for soil arching effects.

4.10.4 Earthquake loading on buried structures

Earth pressures and structure inertia forces as specified in 6.2.4 shall be taken into account in the design of buried structures.

- Where the soil cover is less than the height of the structure, rigid structures shall be designed for the forces shown in figure 4.3(a). In this figure W_s is the static force due to the weight of soil above the culvert. Other symbols are defined in 6.2.4.
- Where the depth of the soil over the structure exceeds the height of the structure, earthquake induced stresses on the cross-section may be determined by applying the static orthogonal stresses at 'infinity' as shown in figure 4.3(b). Comments are made on this method in *Earth retaining structures*⁽⁶⁵⁾.
- Flexible corrugated metal plate structures may be assumed to interact with the soil to produce a uniform distribution of earth pressure around the periphery.

Figure 4.3: Forces on large underground structures (from NZSEE Bulletin⁽⁶⁵⁾)



4.10.5 Backfilling around buried structures

Guidance on the selection of fill materials, method of placement and compaction of backfill for culverts can be found in AS/NZS 2041.2⁽⁶¹⁾, sections 2.4 and 2.12. The following provides further clarifications to those requirements.

The tests below have been prescribed in NZS 4402 *Methods of testing soils for civil engineering purposes – Soil tests*⁽⁶⁶⁾ for the purposes of evaluating soil compaction:

- NZS 4402.4.1.1 *New Zealand standard compaction test*⁽⁶⁷⁾
- NZS 4402.4.1.2 *New Zealand heavy compaction test*⁽⁶⁸⁾
- NZS 4402.4.1.3 *New Zealand vibrating hammer compaction test*⁽⁶⁹⁾
- Section 4.2 *Determination of the minimum and maximum dry densities and relative density of a cohesionless soil*, which includes the following laboratory tests:
 - NZS 4402.4.2.1 *Minimum dry density*⁽⁷⁰⁾
 - NZS 4402.4.2.2 *Maximum dry density*⁽⁷¹⁾

Clause 2.12.5 of AS/NZS 2041.2⁽⁶¹⁾ allows compaction level acceptance criteria to be based on test results from any of the above tests. The choice on which of these tests should be used shall be based on how closely the test procedures prescribed in the standards simulate the workings of the compaction equipment used in the field. If the use of heavy and vibratory compaction equipment is not required, the maximum dry density (MDD) from the NZ standard compaction test (NZS 4402.4.1.1:1986) will be appropriate and the dry density in each layer of fill (in accordance with clause 2.12.4.2 of AS/NZS 2041.2⁽⁶¹⁾) shall be compacted to at least 95% of the MDD.

Relative density from NZS 4402.4.2.1:1988 and NZS 4402.4.2.2:1988 should only be used as a compaction acceptance criteria if the select fill contains less than 12% by mass of non-plastic fines passing a 0.075mm sieve and there is a stringent need to minimise compression in the backfill, in which case an indication of the highest possible value of dry density for the backfill would be required. For these cases each layer of select fill shall be compacted to not less than 70% of the relative density. As noted in the standards, laboratory results from NZS 4402.4.2.2:1988 are highly sensitive to the capability of the vibratory table used in the test, and strict adherence to the mechanical specifications given in NZS 4402.4.2.2:1986 for the vibratory table is necessary for the compaction test results to be repeatable.

4.11 Bridges subject to inundation by flooding

Where it is proposed to place a bridge over a waterway, care should be taken to so locate it that immersion will not be likely to occur. In cases where immersion is unavoidable or cannot readily be designed for, then it may be appropriate to consider other forms of construction in preference to prestressed concrete, which is particularly vulnerable to the effects of immersion.

When a bridge is covered by floodwaters the upthrust on the structure exerted by the water cancels out some of the dead load acting downwards. In prestressed concrete bridges the upthrust of the water combines with the upthrust due to draped prestressing tendons and this may lead to unfavourable stress distribution in the beams; especially so if air is entrapped between the girders, so increasing the volume of water displaced.

4.11 continued

In all cases where waterway crossings are to be constructed, careful consideration shall be given to stresses induced under submerged conditions. Ducts should be formed through the girder webs as close to the underside of the deck slab as possible, preferably by means of a short length of pipe which can be left in place so as to offset the loss of section. These ducts should be placed in positions that will be most effective to releasing entrapped air, giving considerations to the grades, vertical curves and crossfalls to which the bridge may be constructed.

In the case of composite construction, where a cast in-situ deck is poured onto prestressed concrete or steel beams, sufficient steel must be incorporated across the interface between the beams and the deck slab to resist the tendency of the deck to separate from the beams under the uplift forces acting under submergence; and to place the air escape ducts as high up as possible to reduce this tendency.

4.12 Miscellaneous design requirements

4.12.1 Proprietary items

Wherever proprietary items are required as part of the structure, allowance shall be made as far as possible for any brand to be used. Brand names shall not be quoted in the documents unless it is essential to the design that a particular brand is used.

4.12.2 Settlement slabs

A settlement slab shall be provided at every abutment supporting earth filling. The slab shall be simply supported along one edge by the abutment, and shall be designed for dead and live load, assuming that it spans at least three-quarters of its actual length, in the longitudinal direction of the bridge. Slabs shall be at least 2m in length and sloped to divert surface water from flowing down the abutment/soil interface. The slab shall be deep enough below the road surface at the end remote from the bridge to distribute soil strains due to length changes without significant surface cracking. The effects set out in 2.5 shall be considered.

4.12.3 Deck drainage

In general, stormwater shall be collected and specific provision made for its disposal. On bridges that are waterway crossings stormwater may be discharged over the edge of the deck unless prohibited by the resource consent.

Deck drainage shall be designed to the standards adopted for the highway drainage system. In particular, the outlet pipes and pipe system shall be designed for a rainfall event with a return period of not less than 20 years including the effects of predicted climate change. Guidance on the design for surface drainage may be obtained from *Highway surface drainage: Design guide for highways with a positive collection system*⁽⁷²⁾, except that more up-to-date sources of information to that referenced should be drawn on for the estimation of design storm rainfall. These sources include:

- local rainfall databases, as may be held by the regional council responsible for the locality under consideration
- *High intensity rainfall design system (HIRDS) version 3*⁽⁷³⁾, a web based program for estimating rainfall frequency
- *Climate change effects and impacts assessment: A guidance manual for local government in New Zealand – 2nd edition*⁽⁷⁴⁾
- *The frequency of high intensity rainfalls in New Zealand, part 1*⁽⁷⁵⁾.

Bridge deck drainage shall be designed to ensure that any ponding in any part of any traffic lane is limited to a maximum depth of 4mm of sheet flow above any surface texture during a two year return period rainfall.

4.12.3 continued

The visual impact of drainage pipework shall be minimised. Ducting or pipework shall not run along external faces of structures or vertically down pier or abutment faces that are visible to the public. Longitudinal deck drainage collection pipes shall not be located on the outside of or below the outside beams. Feeder pipes from catch pits may be visible, but shall be concealed as far as possible. Deck drainage shall not be carried in steel pipework. Pipework carried in hollow members shall also comply with the relevant requirements of 4.12.5.

Pipework shall be supported by a support system. The support system and its spacing shall ensure that no appreciable sag occurs to the pipe under the design load for the pipe full case.

Pipework shall incorporate movement joints or other mechanisms to allow for the serviceability limit state design movements of the bridge calculated for load combinations 2A and 2B given in table 3.1. The relative movement between parts of the structure under one quarter of the earthquake relative movement plus the relative movement due to long term shortening plus one third of the temperature induced relative movement from the median temperature position shall also be provided for.

Drainage pipe material shall comply with NZTA F3 *Specification for pipe culvert construction*⁽⁷⁶⁾.

All components of the drainage system shall have a life to first maintenance of not less than 30 years. The drainage system shall be replaceable without modification or removal of any structural concrete or steelwork. This does not however preclude casting pipework into concrete piers.

All components of the bridge deck drainage systems shall be designed to be self-cleansing, and shall be detailed to allow adequate access for future inspection, maintenance and cleaning. A minimum collector pipe internal diameter of 150mm shall be provided. All drains shall be capable of being cleared of blockages under routine maintenance activities without the need for closure of carriageways beneath the structure. Manholes, if required, shall not be located within the road carriageways.

The deck drainage system shall be detailed to ensure water does not leak onto visible surfaces, causing staining or corrosion, or onto bearings or energy dissipating devices. Positive fall drainage shall be provided on all bearing shelves, under expansion joints and behind all earth retaining abutments and walls. Drip grooves shall be provided at the edge of all slab soffits. Deck movement joints shall be made watertight.

Sumps in the bridge deck shall be positioned and detailed in a manner that will ensure traffic ride is not affected and that will provide for future resurfacing of the bridge deck.

4.12.4 Drainage of hollow structural elements

If hollow structural components are adopted, then positive fall drain holes of 40mm minimum diameter shall be provided at all low points within the voids regardless of their susceptibility to ponding. In the case of bridge superstructure slab or beam elements, drain holes shall be provided in each void and shall discharge directly to the outside through the soffit of the element. All such drain holes shall be accessible for maintenance.

4.12.5 Services

Agreement shall be reached with network utility operators of services, over support conditions required for services. Network utility operators shall be made aware of the extent and direction of movement at expansion joints, due both to length changes and seismic acceleration.

The implications of possible bridge overloading due to leakage or rupture of pipes carrying water or other fluids inside a box girder or other hollow member shall be considered, and adequate drainage shall be provided.

4.12.5 continued

Special approvals and conditions apply to the installation of pipelines carrying flammable fluids (including gas). Such pipelines shall not be carried inside box girders.

Services carried on the bridge deck shall be adequately protected against possible loading by vehicle wheels, horses and stock.

On new bridges with either hollow core unit superstructures or raised footpaths, in addition to the known services and where practical to do so, a nominal provision shall be made for future services to be carried by the provision of 2 × 150mm diameter uPVC ducts with draw wires installed or cast into these elements, unless otherwise directed by the road controlling authority. These ducts shall be located within the width of the footpath or the outermost available voids for hollow core decks unless alternative locations are directed or accepted by the road controlling authority.

4.12.6 Date and loading panels

All bridges shall have displayed details of date of construction and design live loading.

Each bridge designed to HN-HO-72 loading shall have this information displayed on two panels, as shown in figure 4.4. The panels shall be of bronze or other approved material of equivalent durability.

The panels shall be located one at each end of the bridge on the left hand side of approaching traffic and in a conspicuous location, eg on the top surface of footpaths or safety kerbs, on the carriageway face of concrete barriers, or on the deck behind the line of the guardrail clear of any subsequent sealing work.

Bridges designed to other loadings shall have similar panels.

4.12.7 Load limiting devices and shock load force transfer devices

a. Abutment knock-off elements and deck slab knock-up elements

Abutment 'knock-off' elements and deck slab 'knock-up' elements, at deck joints, designed to be displaced under response of the bridge to strong earthquakes, thereby allowing freedom of movement of the bridge superstructure without significant interaction with adjacent structure, shall be:

- stable under traffic loads at the ultimate limit state
- able to resist the forces imposed on the knock-off or knock-up element by an attached deck joint at the ultimate limit state displacements under service conditions that exclude earthquake effects
- able to be dislodged without significant damage to adjacent structural elements. Abutment knock-off elements are not to be dowelled to the abutment back wall.

b. Earthquake energy dissipating devices

Devices for dissipating earthquake energy, that also act to limit the earthquake forces mobilised within the structure, shall comply with 5.4.9 and shall also ensure that 5.1.2 (c) will be satisfied.

c. Shock load force transfer devices

Devices designed to accommodate slow rates of movement between adjacent structural elements interconnected by the device without significant transfer of force due to the movement, but designed to lock-up and provide force transfer under shock loading from an earthquake, shall be designed with sufficient ideal strength to resist the forces imposed on them. The forces imposed on the devices shall be assessed from a rational analysis of the structure assuming overstrength to have developed in plastically yielding elements of the structure.

4.12.8 Confinement of embedded fixings

Embedded fixings forming part of the primary load path for transferring forces into the structure (eg side protection barrier fixings) or transferring forces from the superstructure to the substructure (eg bearing and base isolation system fixings, holding down bolts) subjected to lateral loading, or that may become subjected to lateral loading through such events as the seizure of bearings or damage to shear keys, shall be adequately confined to prevent splitting of the surrounding concrete.

4.12.9 Anti-graffiti finish

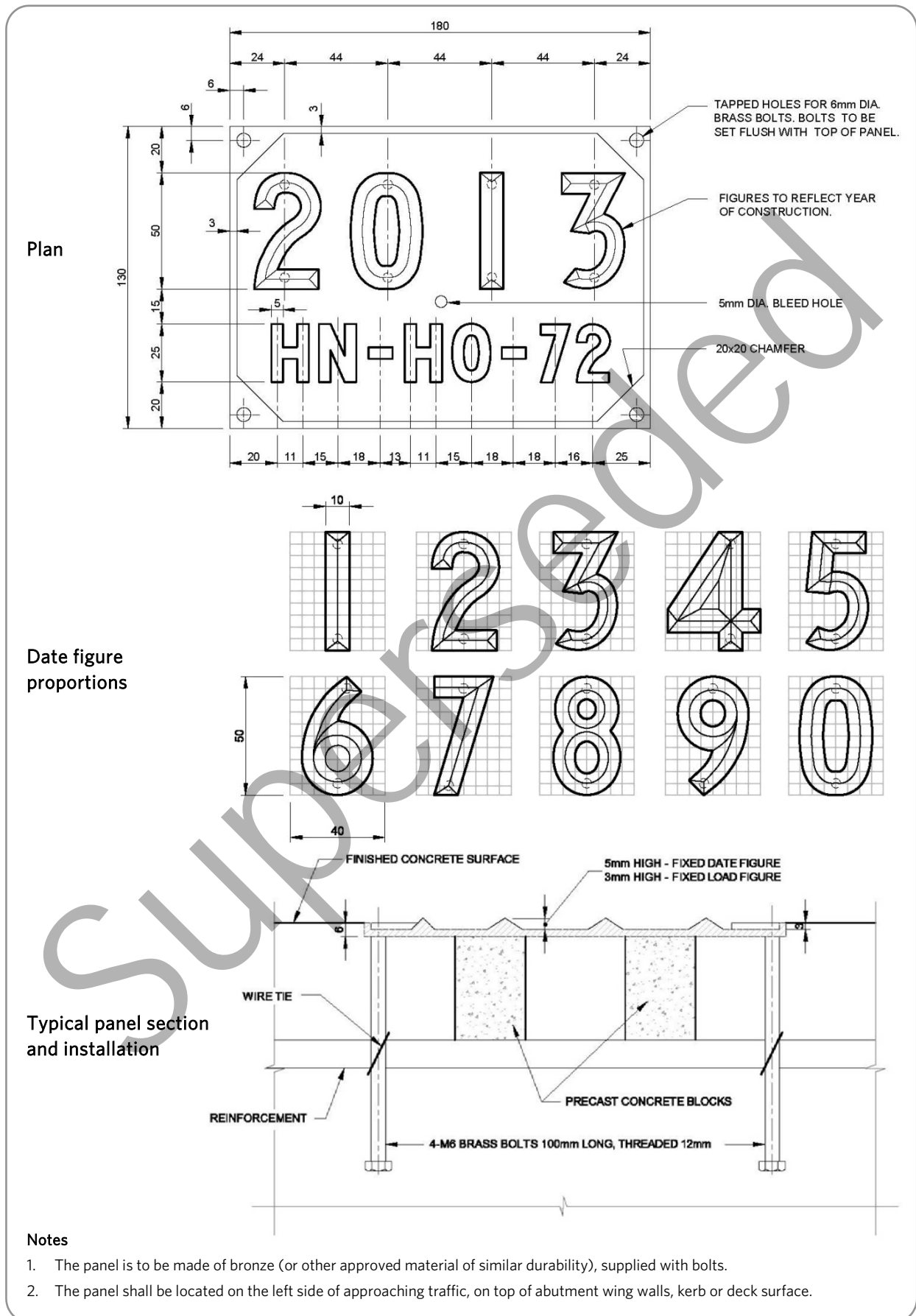
Environmentally and structurally friendly anti-graffiti coatings (either permanent or sacrificial) with a design life of at least 10 years shall be applied to all new structures if required by the road controlling authority. The coatings will require approval by the road controlling authority prior to use on the works. The extent of application for each element of the structures shall be:

- 1.2m from an accessible top edge
- 2.7m above adjacent ground level or base level, and
- 1.5m horizontally from an accessible substructure element
- both faces of a rigid traffic barrier.

The extent of the application shall be increased where required for urban design.

Superseded

Figure 4.4: Date and loading panel HN-HO-72 loading



4.13 References

- (1) Standards New Zealand NZS 3101.1&2:2006 *Concrete structures standard*.
- (2) Standards New Zealand NZS 3122:2009 *Specification for Portland and blended cements (General and special purpose)*.
- (3) Standards Australia and Standards New Zealand jointly AS 3582. _____ *Supplementary cementitious materials for use with Portland and blended cement*
 Part 1-1998 Fly ash (AS 3582.1)
 Part 2-2001 Slag - Ground granulated iron blast furnace (AS 3582.2)
 Part 3:2002 Amorphous silica (AS/NZS 3582.3).
- (4) Standards Australia and Standards New Zealand jointly AS/NZS 1170.0:2002 *Structural design actions*. Part 0 General principles.
- (5) Standards New Zealand NZS 3109:1997 *Concrete construction*.
- (6) Roads and Maritime Services (2013) *Concrete work for bridges*. QA specification B80, Sydney, NSW, Australia.
- (7) Standards Australia AS 3600-2009 *Concrete structures*.
- (8) Standards Australia AS 5100.5 (2012 draft revision) *Bridge design*. Part 5 Concrete.
- (9) Standards Australia AS 1012.13-1992 *Methods of testing concrete*. Part 13 Determination of the drying shrinkage of concrete for samples prepared in the field or in the laboratory.
- (10) National Institute of Water and Atmospheric Research *Cliflo - The national climate database*. Last accessed 10 May 2013.
<<http://cliflo.niwa.co.nz/>>.
- (11) Standards Australia AS 5100.5-2004 *Bridge design*. Part 5 Concrete.
- (12) Mackechnie JR *Properties of New Zealand concrete aggregates*. Report TR11, Cement & Concrete Association of New Zealand, Wellington.
- (13) Mackechnie JR (2003) *Hardened properties of concrete containing New Zealand aggregates*. Journal of the Structural Engineering Society New Zealand Inc., vol. 16, no. 2, September 2003, pp. 20-29.
- (14) Standards Australia and Standards New Zealand jointly AS/NZS 4671:2001 *Steel reinforcing materials*.
- (15) International Organization for Standardization ISO 15835-1:2009 *Steels for the reinforcement of concrete - Reinforcement couplers for mechanical splices of bars*. Part 1 Requirements.
- (16) International Organization for Standardization ISO 15835-2:2009 *Steels for the reinforcement of concrete - Reinforcement couplers for mechanical splices of bars*. Part 2 Test methods.
- (17) Standards Australia AS 1544.2-2003 *Methods for impact tests on metals*. Part 2 Charpy V-notch.
- (18) Standards Australia and Standards New Zealand jointly AS/NZS 3678:2011 *Structural steel - Hot-rolled plates, floorplates and slabs*.
- (19) American Association of State Highway and Transportation Officials (2012) *LRFD Bridge design specifications, customary U.S. units, 6th edition*. Washington DC, USA.

- (20) Standards New Zealand NZS 3101 Parts 1 and 2:1995 *Concrete structures standard – The design of concrete structures*. Replaced by NZS 3101.1&2:2006.
- (21) Concrete Institute of Australia (2007) *CIA Z3 Grouting of Prestressing Ducts*. Sydney, NSW, Australia.
- (22) Federation International du Béton (2000) *Corrugated plastic ducts for internal bonded post-tensioning*. fib Bulletin 7, Lausanne, Switzerland.
- (23) Federal Highway Administration (2004) *Post-tensioning tendon installation and grouting manual*. US Department of Transportation, Washington DC, USA.
- (24) The Concrete Society (2010) *Durable post-tensioned concrete structures*. Technical report 72, The Concrete Society, United Kingdom.
- (25) Standards New Zealand NZS 3404. _____ *Steel structures standard*. Parts 1 and 2:1997
Part 1:2009 Materials, fabrication and construction.
- (26) Standards Australia AS 5100.6-2004 *Bridge design*. Part 6 Steel and composite construction.
- (27) NZ Transport Agency (2013) *Steel-concrete composite bridge design guide*. Research report 525, Wellington.
- (28) Standards Australia AS 5100.1-2004 *Bridge design*. Part 1 Scope and general principles.
- (29) Standards Australia AS 5100.2-2004 *Bridge design*. Part 2 Design loads.
- (30) New Zealand National Society for Earthquake Engineering (1985) *Seismic design of steel structures*. Deliberations of the society's study group, Bulletin of New Zealand National Society for Earthquake Engineering, December 1985.
- (31) Standards Australia and Standards New Zealand jointly AS/NZS 2312:2002 *Guide to the protection of structural steel against atmospheric corrosion by the use of protective coatings*.
- (32) New Zealand Heavy Engineering Research Association (2011) *New Zealand steelwork and corrosion coatings guide*. Report R4-133, Manukau City.
- (33) New Zealand Heavy Engineering Research Association (2005) *New Zealand weathering steel guide for bridges*. Report R4-97, Manukau City.
- (34) Standards Australia AS 1112: _____ *ISO metric hexagon nuts*
Part 1-2000 Style 1 – Product grades A and B
Part 2-2000 Style 2 – Product grades A and B
Part 3-2000 Product grade C
Part 4-2000 Chamfered thin nuts – Product grades A and B.
- (35) Standards Australia AS 1237.1-2002 *Plain washers for metric bolts, screws and nuts for general purposes*. Part 1 General plan.
- (36) British Standards Institution BS 4486:1980 *Specification for hot rolled and hot rolled and processed high tensile alloy steel bars for the prestressing of concrete*.
- (37) Standards New Zealand NZS 3603:1993 *Timber structures standard*.
- (38) Standards Australia AS 1720.1-2010 *Timber structures*. Part 1 Design methods.
- (39) Standards Australia AS 1720.2-2006 *Timber structures*. Part 2 Timber properties.

- (40) Standards Australia and Standards New Zealand jointly AS/NZS 2878:2000 *Timber – Classification into strength groups*.
- (41) Standards Australia and Standards New Zealand jointly AS/NZS 1664.1:1997 *Aluminium structures*. Part 1 Limit State Design.
- (42) Standards Australia AS 5100.4-2004 *Bridge design*. Part 4 Bearings and deck joints.
- (43) Highways Agency (1994) BD 33/94 *Expansion joints for use in highway bridge decks*. TSO, London, United Kingdom.
- (44) Bruce SM and Kirkcaldie DK (2000) *Performance of deck expansion joints in New Zealand road bridges*. Research report 186, NZ Transport Agency, Wellington.
- (45) Burke MP (1989) *Bridge deck expansion joints*. National Cooperative Highway Research Program Synthesis of Highway Practice 141, Transportation Research Board, Washington DC, USA.
- (46) Highways Agency (2003) BA 42/96 Amendment No.1 *The design of integral bridges*. TSO, London, United Kingdom.
- (47) Applied Technology Council and Multidisciplinary Center for Earthquake Engineering Research (2003) *Recommended LRFD guidelines for the seismic design of highway bridges*, MCEER/ATC 49. Buffalo NY, USA.
- (48) Khalili-Tehrani P, Taciroglu E and Shamsabadi A (2010) *Backbone curves for passive lateral response of walls with homogenous backfills*. Published in *Soil-foundation-structure interaction – Orense, Chouw & Pender (eds)*, Taylor & Francis Group, London, United Kingdom.
- (49) Highways Agency (2001) BD 57/01 *Design for durability*. TSO, London, United Kingdom.
- (50) Highways Agency (2001) BA 57/01 *Design for durability*. TSO, London, United Kingdom.
- (51) Highways Agency (1987) BD 30/87 *Backfilled retaining walls and bridge abutments*. TSO, London, United Kingdom.
- (52) Highways Agency (2001) BD 31/01 *The design of buried concrete box and portal frame structures*. TSO, London, United Kingdom.
- (53) Highways Agency (1992) BD 24/92 *The design of concrete highway bridges and structures. Use of BS 5400: Part 4: 1990*. TSO, London, United Kingdom.
- (54) Highways Agency (2001) BD 37/01 *Loads for highway bridges*. TSO, London, United Kingdom.
- (55) National Institute of Water and Atmospheric Research *New Zealand mean annual temperature (°C), 1971 – 2000*. Last accessed 10 May 2013. <www.niwa.co.nz/node/98755>.
- (56) British Standards Institution BS 8002:1994 *Code of practice for earth retaining structures*. Withdrawn.
- (57) British Standards Institution BS EN 1997-1:2004 *Eurocode 7. Geotechnical design*. Part 1 General rules.
- (58) NZ Transport Agency (1997) TNZ F/01 *Earthworks construction*. Wellington.
- (59) NZ Transport Agency (2000) TNZ F/02 *Pipe subsoil drain construction*. Wellington.

- (60) NZ Transport Agency (2003) TNZ F/06 *Fabric wrapped aggregate subsoil drain construction*. Wellington.
- (61) Standards Australia and Standards New Zealand jointly AS/NZS 2041: _____ *Buried corrugated metal structures*
 Part 1:2011 Design methods
 Part 2:2011 Installation
 Part 3 Assessment of existing structures (In prep.)
 Part 4:2010 Helically formed sinusoidal pipes
 Part 5 Helically formed ribbed pipes (In prep.)
 Part 6:2010 Bolted plate structures
 Part 7 Bolted plate structures with transverse stiffeners (In prep.)
 Part 8 Metal box structures (In prep.).
- (62) Standards Australia and Standards New Zealand jointly AS/NZS 3725:2007 *Design for installation of buried concrete pipes*.
- (63) Standards Australia and Standards New Zealand jointly AS/NZS 4058:2007 *Precast concrete pipes (pressure and non-pressure)*.
- (64) Austroads (2011) *Guidelines for design, construction, monitoring and rehabilitation of buried corrugated metal structures*, AP-T196-11. Sydney, NSW, Australia.
- (65) New Zealand National Society for Earthquake Engineering (1980) *Papers resulting from the deliberations of the NZNSEE discussion group on seismic design of bridges*. Bulletin of the New Zealand National Society for Earthquake Engineering, September 1980.
 Also published in NZ Transport Agency (1981) Road Research Unit bulletin 56,
 Mathewson MB, Wood JH, and Berrill JB, *Section 9 Earth retaining structures*.
- (66) Standards New Zealand NZS 4402:1986 *Methods of testing soils for civil engineering purposes - Soil tests*.
- (67) Standards New Zealand NZS 4402.4.1.1:1986 *Soil compaction tests - Determination of the dry density/water content relationship - Test 4.1.1 New Zealand standard compaction test*.
- (68) Standards New Zealand NZS 4402.4.1.2:1986 *Soil compaction tests - Determination of the dry density/water content relationship - Test 4.1.2 New Zealand heavy compaction test*.
- (69) Standards New Zealand NZS 4402.4.1.3:1986 *Soil compaction tests - Determination of the dry density/water content relationship - Test 4.1.3 New Zealand vibrating hammer compaction test*.
- (70) Standards New Zealand NZS 4402.4.2.1:1988 *Soil compaction tests - Determination of the minimum and maximum dry densities and relative density of a cohesionless soil - Test 4.2.1 Minimum dry density*.
- (71) Standards New Zealand NZS 4402.4.2.2:1988 *Soil compaction tests - Determination of the minimum and maximum dry densities and relative density of a cohesionless soil - Test 4.2.2 Maximum dry density*.
- (72) Oakden GJ (1977) *Highway surface drainage: Design guide for highways with a positive collection system*. Roading Directorate, Ministry of Works and Development, Wellington.

- (73) National Institute of Water and Atmospheric Research *High intensity rainfall design system (HIRDS)* version 3. Last accessed 10 May 2013. <<http://hirds.niwa.co.nz/>>.
 - (74) Ministry for the Environment (2008) *Climate change effects and impacts assessment: A guidance manual for local government in New Zealand - 2nd edition*. Wellington.
 - (75) Tomlinson AI (1980) *The frequency of high intensity rainfalls in New Zealand, part 1*. Water and Soil Technical Publication 19, Ministry of Works and Development, Wellington.
 - (76) NZ Transport Agency (2010) *NZTA F3 Pipe culvert construction*. Wellington.
-

Superseded

Addendum 4A New Zealand average relative humidities

Relative humidity data is available from the NIWA CliFlo database which can be analysed to determine appropriate average relative humidities for locations throughout New Zealand for use in assessing the shrinkage and creep of concrete.

The following outlines the process that needs to be adopted to access and analyse the NIWA data through the internet, as the process is not obvious from the NIWA website:

Bring up the CliFlo database: <<http://cliflo.niwa.co.nz/>>.

Establish an On-Line Subscription to CliFlo, and then Login. The subscription will be valid for 2 years and allow the subscriber to download up to 2,000,000 lines of data, but with a limit of 40,000 lines of data per individual search.

Ensure that your internet browser has its security settings set to allow pop-up menus on the NIWA website.

In the Database Query form, make the following selections:

In panel 1: - Click "Select Datatype" and select "Daily and Hourly Observations" from the pop-up menu, then select "Hly Air T" as the option.

In panel 2: - Click "Choose Stations" and then on the pop-up menu click against "region" and from the drop-down list select the region closest to the site of interest. Then click on "Get Station List" This will open as a new webpage. From the listing of stations select an appropriate station near the site of interest to download the data for, by clicking on its "Select" tick box. Confirm that the stations start and end dates encompass the period of time for which data is sought. Then at the bottom of the screen click on "Replace Selected Stations".

Return to the Database Query form by clicking on its webpage tab at the top of the screen.

In panel 3: - Input the start and end dates for the period of time for which data is required. It is suggested that a recent ~5 year period be specified. (40,000 lines of hourly data = 4.566 years)

In panel 4: - Against "Split data into date and time columns" click against "No (single data column)", and against "File download option" select "Excel file" from the drop-down list.

Then click "Send Query" and wait. The website will eventually return an Excel file named wgenf.genform1_proc. Open the file using Microsoft Excel (ignoring any messages about inappropriate file naming). Check that the file contains RH data for each line of data supplied, and that the data is hour by hour for 24 hours of each day, as for some stations some RH data is missing. That data is missing is usually evident from inspection of the first and last few pages of output.

For datasets that are complete, calculate the average RH by summing the RH data column (column E) and dividing the sum by the number of data rows ($\leq 40,000$). It is suggested that, for each individual site, 2 data searches be undertaken for consecutive periods and averaged to provide an average RH across 9 years' worth of data.

Note that 40,000 lines of data equates to ~700 pages of A4 output, so printing the output file is not recommended.

Superseded

5.0 Earthquake resistant design of structures

In this section

	Section	Page
5.1	Design philosophy	5-2
5.2	Design earthquake loading and ductility demand	5-6
5.3	Analysis methods	5-13
5.4	Member design criteria and foundation design	5-16
5.5	Structural integrity and provision for relative displacements	5-20
5.6	References	5-23

Note

This section, *Earthquake resistant design of structures* incorporates the relevant text from previous draft and unpublished amendments of the *Bridge manual* and some limited recent developments to design methodology. Some previous content from this section, including guidance for the effects of liquefaction, has been moved to section 6, *Site stability, foundations, earthworks and retaining walls*.

The Canterbury earthquakes of 2010 and 2011 delayed other planned amendments. Understandably key people associated with the development of this section were called upon elsewhere for work associated with the earthquakes in both the immediate and longer term recovery phases.

Work on further developments for this section is, however, already underway. This includes the introduction of displacement-based design and a review of the existing force based design method. Future amendments will also take account of any relevant recommendations that have been or will be published subsequent to the Canterbury earthquakes.

In the mean time users of this manual are encouraged to review the findings of The Canterbury Earthquakes Royal Commission and to consider any relevant design guidance published by the Commission, the Ministry of Business, Innovation & Employment and learned societies such as the Structural Engineering Society New Zealand (SESOC) and the New Zealand Society for Earthquake Engineering (NZSEE).

5.1 Scope and design philosophy

5.1.1 Scope

This section applies to the structural design of structures for earthquake resistance where the structures are composed of reinforced or prestressed concrete, steel or aluminium, timber, or other advanced engineering materials such as fibre reinforced composites, and include bridges and retaining walls. This section excludes the design of earth embankments and slopes for earthquake resistance, which is covered by section 6.

Where the design of retaining walls is related to stability and the limitation of displacement, and as is dependent on the support and restraint provided by the soil associated with it, or is primarily geotechnical in nature, that design is covered by section 6.

5.1.2 Objective

The primary objective of seismic design shall be to ensure that the structure can safely perform its function of maintaining communications after a seismic event. The extent to which this is possible will depend on the severity of the event, and thus by implication on its return period.

For design purposes, structures shall be categorised according to their importance, and assigned a risk factor related to the seismic return period. This will then result in an equivalent design earthquake hazard and consequent loading as defined in 5.2. If the behaviour at this design intensity meets the criteria of (a), it is expected that with appropriate detailing, behaviour at other intensities as in (b) and (c) will also be satisfactory, and no further specific analytical check is required, except where there is the possibility of loss of ground strength or failure that could bring about structure collapse. However, performance expectations outlined below warrant philosophic consideration in design and detailing, and discussion in the structure options report and structure design statement.

The seismic performance requirements are as follows (and as summarised in table 5.1):

- a. After exposure to a seismic event of design severity, the structure shall be usable by emergency traffic, although damage may have occurred, and some temporary repairs may be required to enable use. Permanent repair to cater for at least one subsequent seismic event of design severity should be feasible.
- b. After an event with a return period significantly less than the design value, damage should be minor, and there should be no disruption to traffic.
- c. After an event with a return period significantly greater than the design value, the structure should not collapse, although damage may be extensive. It should be usable by emergency traffic after temporary repairs and should be capable of permanent repair, although a lower level of loading may be acceptable.

The design of any structure located in an area which is susceptible to earthquake induced liquefaction, or which is over an active fault with a recurrence interval of 2000 years or less, shall recognise the large movements which may result from settlement, rotation or translation of substructures. To the extent practical and economic, and taking into consideration possible social consequences, measures shall be incorporated to mitigate against these effects.

5.1.2 continued

Table 5.1: Seismic performance requirements

	Earthquake severity		
	Minor earthquake (as 5.1.2(b)) Return period factor = $R_u/4$	Design level earthquake (as 5.1.2(a)) Return period factor = R_u (ULS event)	Major earthquake (as 5.1.2(c)) Return period factor = $1.5R_u$
Post-earthquake function - immediate	No disruption to traffic	Usable by emergency traffic	Usable by emergency traffic after temporary repair
Post-earthquake function - after reinstatement	Minimal reinstatement necessary to cater for all design-level actions	Feasible to reinstate to cater for all design-level actions, including repeat design-level earthquake	Capable of permanent repair, but possibly with reduced load capacity
Acceptable damage	Damage minor	Damage possible; temporary repair may be required	Damage may be extensive; collapse prevented

5.1.3 Background
and commentary

The earthquake provisions included in this edition of the *Bridge manual* have been developed with reference to NZS 1170.5 *Structural design actions* part 5 Earthquake actions - New Zealand⁽¹⁾. Where appropriate, text has been included with or without modification. The reader is referred to NZS 1170.5 supplement 1 *Structural design actions* Part 5 Earthquake actions - New Zealand - Commentary⁽²⁾ for background information relating to NZS 1170.5⁽¹⁾.

5.1.4 Structural
action

For design purposes, each structure shall be categorised according to its structural action under horizontal seismic loading. Categories are defined in (a) to (h) below, with reference to the relationship between the total applied horizontal loading and the resulting displacement of the centre of mass of the whole superstructure. Figure 5.1 illustrates the force/displacement relationships, and defines yield force, yield displacement (Δ_y) and structural ductility factor (μ).

The maximum allowable values of design ductility (μ) are specified in 5.2.4.

In cases where large ductility demands are placed on concrete members due to flexibility of foundations or bearings, special analyses shall be made and steps taken to limit the likelihood of damage during less severe shaking.

a. Ductile structure

Under horizontal loading, a plastic mechanism develops. After yield, increasing horizontal displacement is accompanied by approximately constant total resisting force. A ductile structure must be capable of sustaining a ductility factor of at least six, through at least four cycles to maximum design displacement, with no more than 20% reduction in horizontal resistance. For the purpose of determining the design load, the design ductility value is restricted to six or less, as specified in 5.2.4 and table 5.3.

b. Partially ductile structure (types I and II)

Under horizontal loading, a plastic mechanism forms in only part of the structure, so that after yield there is a significant upward slope in the force/displacement relationship.

5.1.4 continued

In a type I structure, this continues up to design displacement.

In a type II structure, a complete mechanism will form after further displacement but the load at which this happens may not be predictable if it is due to hinging in piles.

c. Structure of limited ductility demand

This structure is subjected to limited ductility demand under the design earthquake. It may otherwise qualify as ductile or partially ductile, but its proportions are such that its yield strength exceeds the design load, and consequently the ductility demand is less than the maximum value of six.

d. Structure of limited ductility capacity

This structure may otherwise qualify as ductile or partially ductile, but its proportions or detailing mean that its ductility capacity is less than six. The design load shall be determined according to either 5.2.2 or 5.2.3, factored as specified in 5.2.6.

e. Elastic structure

This structure remains elastic up to or above the design load. It might have little or no reserve ductility after reaching its load capacity, which, while undesirable, may be unavoidable. In this case, detailing shall be such that while there may be a low standard of post-elastic behaviour, the risk of collapse is not greater than for a ductile structure.

f. Structure incorporating mechanical energy dissipating devices

This structure may be ductile, partially ductile, or of limited ductility demand, depending on the type of dissipator or mounting used.

g. Structure 'locked in' to the ground

This is an elastic structure which relies on the integrity of the abutment approach material, usually for longitudinal seismic resistance. It is assumed to move with ground acceleration.

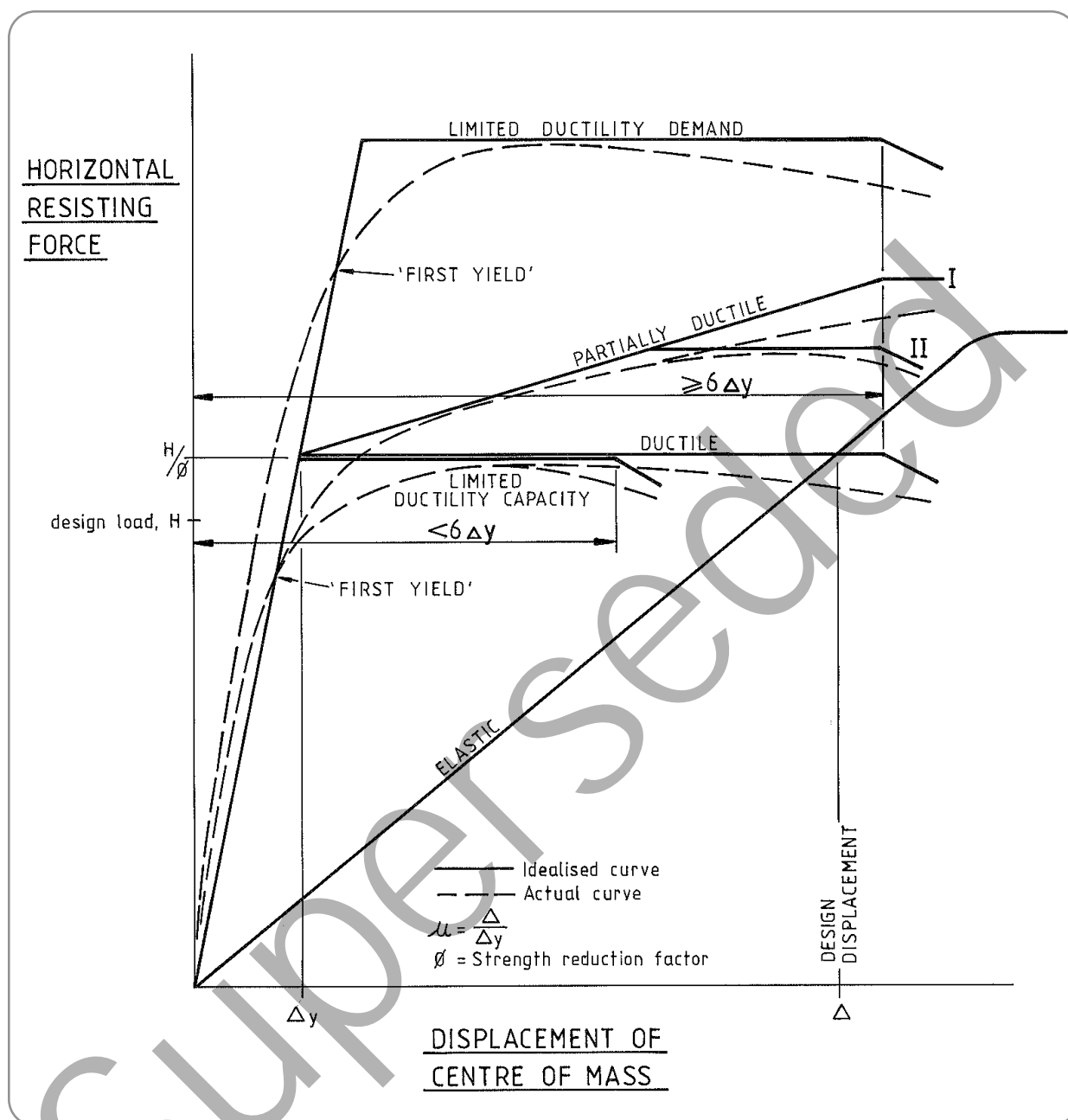
h. Structure on rocking piers

This is a special case of ductile structure, in which spread footing foundations tend to lift at alternate edges and the deformation of the soil and impact effects provide energy dissipation. Because of the lack of experimental or practical experience of the system, a maximum value of $\mu=3$ shall be adopted, unless a larger value can be specifically justified.

5.1.5 Retaining walls

For the earthquake resistant design of non-integral bridge abutments and retaining walls, overall stability shall comply with section 6 of this manual, whilst the structural design shall comply with this section.

Figure 5.1: Idealised force/displacement relationships for various structural categories



5.2 Design earthquake loading and ductility demand

5.2.1 Design earthquake loading

The design earthquake loadings are defined by response spectra appropriate to the site location, including proximity to major active faults, the site subsoil conditions, the specified annual probability of exceedance of the design earthquake, the structural performance factor and the modification factor for ductility.

Depending on the method of analysis to be applied, design earthquake response spectral accelerations are derived from the site hazard elastic spectra determined in accordance with either 5.2.2 or 5.2.3 factored as specified by 5.2.6(a), (b) or (c) by factors taking into account structural performance and structural ductility.

The need to increase the design earthquake loading due to possible local site effects or location shall be considered. Where significant these aspects and their implications for the design shall be discussed in the structure design statement.

5.2.2 Elastic site hazard spectra

The site hazard elastic response spectrum for horizontal loading ($C(T)$) shall be determined in accordance with section 3.1 of NZS 1170.5⁽¹⁾ and for vertical loading in accordance with section 3.2 of NZS 1170.5⁽¹⁾, modified by (a) and (b) below, for the annual probability of exceedance corresponding to the importance level of the structure specified in table 2.1.

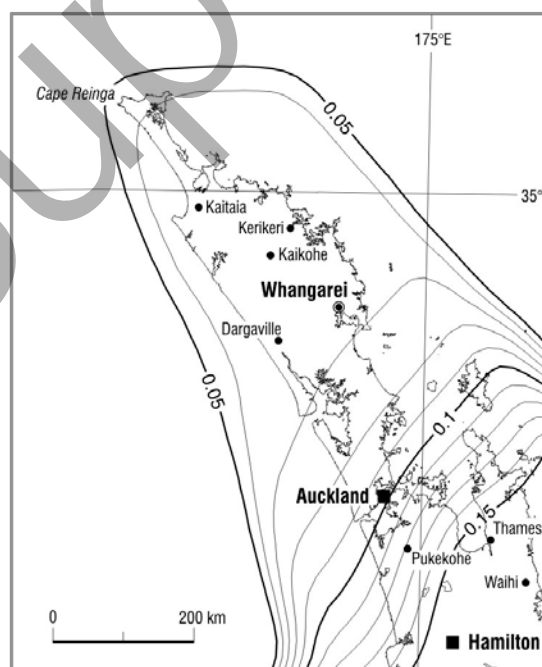
(Note that the peak ground acceleration values corresponding to $T=0$ in the NZS 1170.5⁽¹⁾ elastic site hazard spectra incorporate magnitude weighting.)

a. Hazard factor

Except for the Canterbury earthquake region, the hazard factor (Z) shall be derived from NZS 1170.5⁽¹⁾ figures 3.3 and 3.4, supplemented for Northland by figure 5.2 and table 5.2 of this manual. For the Canterbury earthquake region the hazard factor (Z) shall be derived from the *New Zealand building code verification method B1/VM1*⁽³⁾ (as effective from 19 May 2011 or later).

For the ultimate limit state, the product ZR_u shall not be taken as less than 0.13.

Figure 5.2: Hazard factors (Z) for Northland



5.2.2 continued

Table 5.2: Hazard factors (Z) for Northland

Location	Z Factor
Kaitaia	0.06
Paihia / Russell	0.06
Kaikohe	0.06
Whangarei	0.07
Dargaville	0.07
Warkworth	0.09
Auckland	0.10
Manakau City	0.12
Waiuku	0.11
Pukekohe	0.12

b. Return period factor

NZS 1170.5⁽¹⁾ clause 3.1.5, Return period factor, shall be amended to read as follows:

The return period factor R_u for the ultimate limit state, shall be obtained from table 3.5 of NZS 1170.5⁽¹⁾ for the annual probability of exceedance appropriate for the importance level of the structure as prescribed in tables 2.1 to 2.3 of this manual.

5.2.3 Site-specific seismic hazard studies

a. Basis for site-specific seismic hazard studies

The intensities of design ground motion specified by NZS 1170.5⁽¹⁾ and adopted by this manual have been derived from hazard analysis and are generally applicable to the design of bridges. However, at any given site the actual seismic hazard based on a probabilistic seismic hazard analysis may vary somewhat from the spectra specified by the standard due to a variety of factors. It should also be noted that the results of the hazard analysis have undergone modification in both regions of low seismicity and regions of high seismicity. In regions of low seismicity, the possibility of near proximity, low magnitude earthquakes has been considered and results in the specified minimum ZR_u combination values. In regions of high seismicity, the product ZR_u has been scaled down to reflect the maximum considered earthquake (MCE) motions. The MCE in the zone of highest seismicity represents the maximum motions considered by the NZS 1170.5⁽¹⁾ standard committee as likely to be experienced in New Zealand.

Special studies may be carried out to justify departures from the specific provisions of this manual and from NZS 1170.5⁽¹⁾. All such studies shall be undertaken in a manner consistent with the principles upon which NZS 1170.5⁽¹⁾ was developed and in accordance with the special studies principles outlined in AS/NZS 1170.0 *Structural design actions* part 0 General principles⁽⁴⁾ appendix A. In all cases the minimum provisions stated elsewhere, either below or in NZS 1170.5⁽¹⁾ shall still apply unless they too are included within the special study.

Where a special study is undertaken to develop site-specific design spectra or for the selection of earthquake records for time history analysis, then the following limitations shall apply:

5.2.3 continued

- The site hazard spectra shall be based on a seismic hazard model that reflects New Zealand seismic and attenuation conditions.
- The site hazard used shall be for the acceptable annual probability of exceedance based on the importance level of the structure.
- In areas of low seismicity, the requirement within NZS1170.5⁽¹⁾ to consider the 84th percentile motion resulting from a magnitude 6.5 earthquake located 20km from the site shall be included and may control design in some cases
- The site hazard spectrum for survival-level motions (under which collapse is to be avoided) need not exceed that calculated for 84th percentile motions from a magnitude 8.1 earthquake at zero distance. Usually these may be scaled by a factor of $\frac{2}{3}$ to obtain ultimate limit state design level motions corresponding to an assumed margin of safety of 1.5 resulting from the design procedures.
- Adopted spectra shall be within $\pm 30\%$ of the design spectrum determined for the specific site from NZS 1170.5⁽¹⁾ combined with this manual.
- The common practice of truncating peaked acceleration response spectra over the short period range (ie < 0.4 sec) may be applied with such truncation to be limited to not exceed 25% of the peak spectral values nor to be below the 0.4 second spectral ordinate.

b. Documentation of site-specific seismic hazard studies

The results from any special study undertaken shall be presented in an appendix to the structure design statement in accordance with 2.7. The minimum details required to be included within the appendix are:

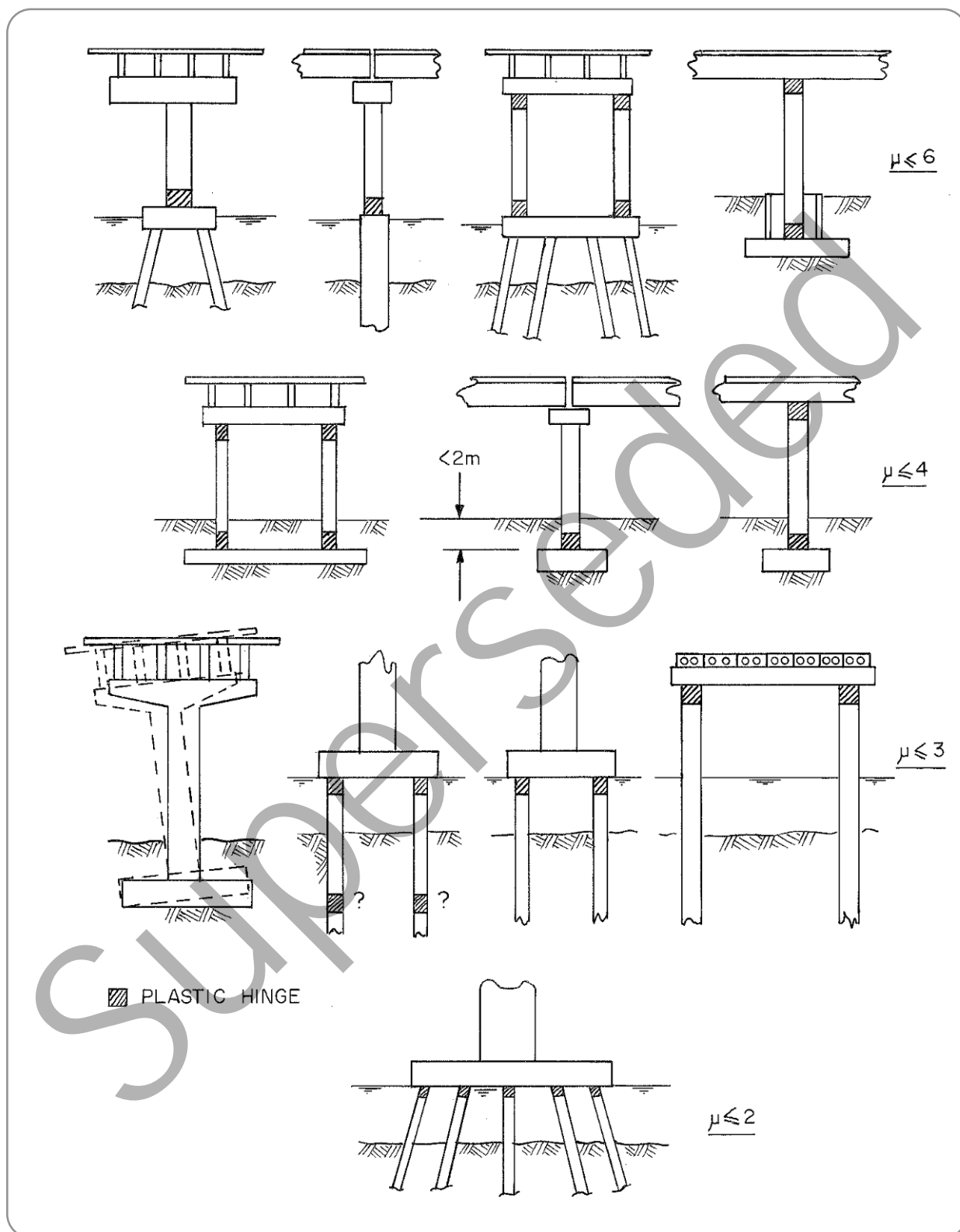
- the project geo-referenced coordinates
- the organisation/individual who has undertaken the special study
- a brief outline of the experience and capability of the agency and personnel undertaking the special study
- details of the seismicity model used as the basis of the study within which the seismic signature of faults of significance to the study are to be prescribed
- a description of how background seismicity has been incorporated in the model
- the attenuation relationships used within the model and, when international attenuation relationships are used, an explanation of their appropriateness for the New Zealand setting
- the raw spectral results of the study together with an explanation of any adjustments or spectral smoothing that may have been applied to arrive at the proposed design spectra
- the proposed design spectra, compared with the requirements of this manual, and
- where the study provides earthquake ground motion records that may be used for time history analysis, the basis upon which these records have been selected, how any record scale factors have been devised and the resulting spectra relating to these records, together with comment on the presence or otherwise of forward-directivity effects in any records selected.

5.2.4 Displacement ductility factor

Structure displacement ductility factor (μ) is defined in figure 5.1.

The maximum value of μ to be used for design of any structure is six. Under certain circumstances μ shall be restricted further. Maximum allowable values of μ for various structural forms are listed in table 5.3, and examples are shown diagrammatically in figure 5.3. In all cases, it shall be ensured that the structure as detailed is capable of sustaining the design value of μ .

Figure 5.3: Examples of maximum values of μ allowed by table 5.3



5.2.4 continued

Table 5.3: Design displacement ductility factor (μ) maximum allowable values

Energy dissipation system	μ
Ductile or partially ductile structure (type I), in which plastic hinges form at design load intensity, above ground or normal (or mean tide) water level.	6
Ductile or partially ductile structure (type I), in which plastic hinges form in reasonably accessible positions, eg less than 2m below ground but not below normal (or mean tide) water level.	4
Ductile or partially ductile structure (type I), in which plastic hinges are inaccessible, forming more than 2m below ground or below normal (or mean tide) water level, or at a level reasonably predictable. Partially ductile structure (type II). Spread footings designed to rock (unless a larger value can be specifically justified).	3
Hinging in raked piles in which earthquake load induces large axial forces.	2
'Locked-in' structure (T=0) Elastic structure.	1

Note:

The design ductility factor for structures of limited capacity or demand is to be determined from actual structure characteristics.

5.2.5 Structural performance factor

The value of the structural performance factor (S_p) shall be as specified in table 5.4.

Table 5.4: Structural performance factor (S_p)

Site sub soil category	S_p
A or B Strong rock and rock	0.90
C Shallow soil sites	0.80
D or E Deep or soft soils and very soft soil sites	0.70

When considering the lateral stability of a whole structure against sliding or toppling the structural performance factor (S_p) shall be taken as 1.0.

5.2.6 Design earthquake actions

Earthquake design actions shall be determined as set out in (a), (b) or (c) below, adopting section properties and values for the structural ductility factor (μ) appropriate to the limit state being considered.

a. Equivalent static force method

For a structure represented as a single-degree-of-freedom oscillator, the minimum horizontal seismic base shear force (V) for the direction being considered, shall be calculated as:

$$V = C_d(T_1)W_t$$

Where:

$C_d(T_1)$ = horizontal design action coefficient, determined as set out below

W_t = total dead weight plus superimposed dead weight (force units) assumed to participate in seismic movements in the direction being considered

5.2.6 continued

The horizontal design action coefficient ($C_d(T_1)$) shall be:

$$C_d(T_1) = \frac{C(T_1)S_p}{k_\mu}$$

For the ultimate limit state, $C_d(T_1)$ shall satisfy the following:

$$C_d(T_1) \geq \left(\frac{Z}{20} + 0.02\right)R_u \quad \text{but not less than } 0.03R_u$$

Where:

$C(T_1)$ = the ordinate of the elastic site hazard spectrum determined from 5.2.2 or 5.2.3, for the fundamental translational period of vibration

T_1 = the fundamental translational period of vibration

S_p = structural performance factor, determined from 5.2.5

Z = the hazard factor, determined from 5.2.2(a) and NZS 1170.5⁽¹⁾ clause 3.1.4

R_u = the return period factor at the ultimate limit state, determined from 5.2.2(b) and NZS 1170.5⁽¹⁾ clause 3.1.5

k_μ = the modification factor for ductility, determined as follows:

For soil classes A, B, C and D as defined by NZS 1170.5⁽¹⁾ clause 3.1.3:

$k_\mu = \mu$ for $T_1 \geq 0.7$ seconds

$$k_\mu = \frac{(\mu - 1)T_1}{0.7} + 1 \quad \text{for } T_1 < 0.7 \text{ seconds}$$

For soil class E as defined by NZS 1170.5⁽¹⁾ clause 3.1.3:

$k_\mu = \mu$ for $T_1 \geq 1.0$ seconds or $\mu < 1.5$

$k_\mu = (\mu - 1.5)T_1 + 1.5$ for $T_1 < 1.0$ seconds and $\mu \geq 1.5$

provided that for the purpose of calculating k_μ , for all soil types, T_1 shall not be taken less than 0.4 seconds

The design actions under vertical earthquake response shall be similarly derived as above, using $C_v(T_1)$ for the fundamental vertical period of vibration in place of $C(T_1)$.

b. Modal response spectrum method

The horizontal design response spectrum, $C_d(T)$, shall be given by:

$$C_d(T) = \frac{C(T)S_p}{k_\mu}$$

Where:

$C(T)$ = the elastic site response spectrum determined from 5.2.2 or 5.2.3

S_p = structural performance factor, as determined from 5.2.5

k_μ = the modification factor for ductility, determined as set out in (a) above

For each direction of earthquake attack considered, the combination of modal action effects shall be carried out using the complete quadratic combination (CQC) technique.

5.2.6 continued	<p>Where the base shear derived from the modal response spectrum analysis is less than the corresponding base shear derived from an equivalent static analysis the design seismic actions and displacements shall be scaled by the ratio of V_e/V where:</p> <p>V_e = the base shear found from the equivalent static force method</p> <p>V = the base shear found from the modal response spectrum method</p> <p>The design actions under vertical earthquake response shall be similarly derived as above, using $C_v(T)$ in place of $C(T)$.</p> <p>c. Numerical integration inelastic time history method</p> <p>Ground motion records for inelastic time history analysis shall comply with the requirements of NZS 1170.5⁽¹⁾ clause 5.5.</p> <p>In addition, the records shall contain at least 15 seconds of strong ground shaking or have a strong shaking duration of 5 times the fundamental period of the structure, whichever is greater.</p>
5.2.7 Combination of seismic actions from elastic analyses	<p>A combination of the effects of orthogonal seismic actions shall be applied to the structural elements to account for the simultaneous occurrence of earthquake shaking in two perpendicular horizontal directions. Seismic forces and moments on each of the principal axes of an element shall be derived as set out below. The absolute values of effects (forces or moments) resulting from the analyses in two orthogonal directions shall be combined to form two load cases as follows:</p> <p>LOAD CASE 1: 100% of the effects resulting from analysis in direction x (eg, longitudinal) plus 30% of the effects resulting from analysis in the orthogonal direction y (eg transverse).</p> <p>LOAD CASE 2: 100% of the effects resulting from analysis in direction y (eg transverse) plus 30% of the effects resulting from analysis in the orthogonal direction x (eg longitudinal).</p>
5.2.8 Vertical seismic response	<p>Bridge superstructures shall be designed to remain elastic under both positive and negative vertical acceleration. The vertical seismic response specified in 5.2.2 or determined from a site specific seismic hazard study shall be considered to act non-concurrently to horizontal seismic response.</p>
5.2.9 Limitations on displacement	<p>Deflections of the structure under the effects of the design earthquake shall not be such as to:</p> <ol style="list-style-type: none"> endanger life cause loss of function cause contact between parts if such contact would damage the parts to the extent that persons would be endangered, or detrimentally alter the response of the structure or reduce the strength of structural elements below the required strength cause loss of structural integrity.

5.2.10 P-delta effects

An analysis for P-delta effects shall be carried out unless any one of the following criteria are satisfied:

- a. the fundamental period does not exceed 0.45 seconds
- b. the height of the structure measured from its base (ie top of footing, pile cap or foundation cylinder) does not exceed 15m and the fundamental period does not exceed 0.8 seconds
- c. the structural ductility factor does not exceed 1.5
- d. the ratio of the design deflection at the level of the superstructure divided by the height above the base does not exceed

$$\frac{V}{(7.5W_d)}$$

Where:

V = horizontal shear force acting at the base of the structure

W_d = total dead weight plus superimposed dead weight assumed to participate in seismic movements in the direction being considered

Where an analysis for P-delta effect is required, a rational analysis, which takes into account the post elastic deflections in the structure, shall be used to determine the P-delta effects.

Unless otherwise included in the analysis method adopted, increases in displacements due to P-delta effects shall be added to the displacements calculated by the analysis method.

5.3 Analysis methods

5.3.1 General

Design forces on members shall be determined from analyses that take account of the stiffness of the superstructure, bearings, piers and foundations. The design load shall be applied to the whole structure. Consideration shall be given to the effects on structural response of likely variation in both structural and foundation material properties. Consideration shall also be given to the consequences of possible yielding of components of the foundation structure or soil and of rocking or uplift of spread footings on the response and energy dissipation characteristics of the structure. The type of analysis used shall be appropriate to the form of structure being designed.

5.3.2 Equivalent static force analysis

- a. Distribution of structural mass

Where the equivalent static force analysis is used, the mass of the superstructure plus the pier caps and half the mass of the piers shall be considered concentrated at the level of the superstructure centroid.

The horizontal distribution of mass shall be taken into account in the analysis for transverse earthquake.

- b. Horizontal torsion

Provision shall be made for variation in the seismic effect at supports, due to the centre of resistance and/or the centre of mass of the bridge not being in their calculated horizontal positions. A torsional moment in the horizontal plane, in either direction, shall be added to the seismic loading already described, equal to:

5.3.2 continued

$$V(1 + 0.025b)$$

Where:

V = as defined in 5.2.6(a)

b = the overall dimension, in metres, perpendicular to the applied seismic load, of the part of the structure considered to be continuous under that load

The design seismic effect at any support shall not be less than that obtained by ignoring the effects of torsion.

c. Rotational inertia effects

For superstructures supported on single-stem piers with wide hammerheads, the effects of superstructure and hammerhead rotational inertia in generating additional moments in the pier shall be considered, and provided for by appropriate detailing.

5.3.3 Dynamic analysis

a. Criteria under which dynamic analysis is recommended

Dynamic analysis to obtain maximum horizontal forces and displacements or ductility demand, should be carried out where it is not appropriate to represent the structure as a single degree of freedom oscillator. Such cases are:

- i. Bridges where the mass of any pier stem (including any allowance for hydrodynamic effects) is greater than 20% of the mass of that part of the superstructure assumed to contribute to the inertia loading on the pier.
- ii. For transverse analysis, where the bridge or an independent length of bridge between expansion joints has abrupt changes in mass distribution, horizontal stiffness or geometry along its length, or is substantially unsymmetrical.
- iii. Bridges which describe a horizontal arc subtending more than 45°.
- iv. Bridges in which the seismic load resistance is provided by structural systems other than conventional piers and abutments.
- v. Suspension, cable-stayed and arch bridges.
- vi. Bridges with piers designed to rock.

b. General

Consideration shall be given to the regularity of the structure and what directions of seismic attack are likely to yield the greatest demand on the structure. Dynamic analysis shall be undertaken for at least two orthogonal horizontal directions. For horizontally curved bridges one of these directions shall be the chord between the two abutments. Concrete member section properties shall be as defined in 5.3.4(a).

c. Modal response spectrum analysis

Modal response spectrum analysis shall comply with the requirements of NZS 1170.5⁽¹⁾ clause 6.3, as appropriate to the analysis of bridges.

d. Inelastic time history analysis

Inelastic time history analysis shall comply with the requirements of NZS 1170.5⁽¹⁾ clause 6.4, as appropriate to inelastic analysis and excluding requirements in respect to inter-storey deflection.

Inelastic moment curvature and force displacement idealisations shall be appropriate to the materials being considered and the likely structural performance.

5.3.3 continued

The overall damping in the bridge system expressed as a percentage of critical equivalent viscous damping shall generally be taken as 5%, to take account of the structural damping. The damping arising from radiation and inelastic behaviour in the foundation is included in the structural performance factor (S_p). For special structures such as long span steel cable supported bridges which remain elastic under earthquake loading, a lower value of damping may be appropriate.

The overall ductility demand computed by an inelastic time history analysis and accepted for the design shall not be greater than that permitted by table 5.3.

5.3.4 Member properties for analysis

In calculating natural period, forces and deflections under seismic loading the following values shall be used:

a. Concrete member section properties

For highly-stressed cracked sections (eg piers and piles), the sectional rigidity EI value equivalent to the member having just reached yield of tensile reinforcement shall be assumed to apply over its whole length.

For uncracked sections (eg prestressed concrete superstructures), the gross uncracked section value shall be assumed.

b. PTFE/stainless steel sliding bearings

The coefficient of friction to be used for analysis shall be assessed on a conservative basis for the situation being considered. 0.02 may be assumed as the coefficient of friction for situations where a minimum frictional force is appropriate. For situations where a maximum frictional force is appropriate, a coefficient of friction of at least 0.15 shall be used.

c. Variation of material properties

The effects of actual material properties varying significantly from those assumed for analysis and design shall be taken into account. The likely variation in foundation properties in particular shall be considered.

5.3.5 Seismic displacements

- a. Where the structural system can be simulated as a single-degree-of-freedom oscillator, the maximum seismic displacement (Δ) of the centre of mass shall be taken as follows, unless a more detailed study is undertaken:

$$\Delta = \frac{\mu C_d(T_1) g T_1^2}{4\pi^2}$$

Where:

Δ = in metres

T_1 = the fundamental natural period, in seconds

g = 9.81m/s²

$C_d(T_1)$ = as defined in 5.2.6(a)

Where required to be assessed by 5.2.10, displacement due to P-delta effects shall be added to the displacement calculated by the above equations.

Allowance shall be made at superstructure movement joints for out-of-phase response of two adjacent sections of a structure, by providing clearance derived from the square root of the sum of the squares of the maximum displacements.

-
- 5.3.5 continued
- b. Where a modal response spectrum analysis is used, displacements derived from the analysis based on the design seismic response spectrum specified in 5.2.6(b) shall be factored by μ .
 - c. Where time history analysis is used, displacements may be taken directly from the analysis results.
-

5.4 Member design criteria and foundation design

5.4.1 Ductile structure

In a ductile structure, where the ductility is provided by plastic hinges, the hinge design^{*} flexural strengths shall be at least equal to the moments from an analysis as described in 5.3. Hinge shear strength and design of members resisting the hinge moments shall be designed according to capacity design principles as defined in NZS 1170.5⁽¹⁾ and the additional requirements of the materials design standards.

Capacity design requirements will be considered satisfied if the over strength flexural capacity of a hinge is matched by at least its own nominal[†] shear strength and the nominal shear and moment strength of resisting members forming the balance of the structure.

Pile analysis shall also consider the consequences of flexure due to seismic ground distortions such as liquefaction and lateral spread. Pile caps and other members shall be designed to resist the vertical shear and other actions resulting from plastic hinging at pile tops, where this is considered likely.

5.4.2 Partially ductile structure

Plastic hinges that form near design loading, and their resisting members, shall be designed as in 5.4.1 where practicable. Members that resist forces from plastic hinges that form at greater than design loading shall be designed on the same basis.

The nominal shear strength of piles should preferably exceed the shear developed by a possible mechanism at over strength. Judgement shall be used, taking into account the economic effect of such provision. At positions of potential lower plastic hinges, these members shall be detailed to ensure that they can sustain the likely limited rotations without significant damage.

5.4.3 Structure remaining elastic at design earthquake loading

The pier and foundation member design forces shall be determined on the basis of an analysis as described in 5.3. If practicable or economically justifiable, to induce possible damage during seismic overload to occur in accessible locations, the design strengths of members below ground shall at least match the nominal flexural strengths of members above ground. If hinge formation is likely at greater than design loading, capacity design principles shall generally be applied, as in 5.4.1.

5.4.4 Structure anchored to a friction slab

- a. Friction slabs may be assumed to provide seismic anchorage to a bridge abutment only if the integrity of the embankment within which the friction slab is located can be relied upon under earthquake conditions. The effect of seismic load transmitted by the friction slab to the embankment shall be taken into account in assessing the integrity of the embankment.
-

^{*} Design Strength: The nominal strength multiplied by the strength reduction factor specified by the appropriate materials code.

[†] Nominal Strength: The theoretical strength of a member section, calculated using section dimensions as detailed and the lower 5 percentile characteristic material strengths.

5.4.4 continued

- b. The design value of horizontal restraint provided by a friction slab shall at least match the design force on the abutment (ie the seismic inertial forces due to the bridge superstructure, abutment, friction slab and overburden overlying the friction slab, plus the soil active pressure and the seismic increment of soil pressure acting on the abutment).
- c. The design value of horizontal restraint provided by a friction slab shall be calculated as the lesser of the design value of friction between the slab and the underlying bedding, and the design value of friction between the bedding and the underlying natural ground or fill. The design value of friction shall be calculated assuming an appropriate strength reduction factor (ϕ), derived in accordance with 6.5.3. Allowance shall be made for inertia forces arising from the weight of the friction slab and overlying soil.
- d. The design strength of the connection between the friction slab and the abutment shall be at least 1.2 times the nominal sliding resistance of the friction slab.

5.4.5 Structure 'locked in' to the ground longitudinally

A 'locked-in' structure shall have integral or semi-integral abutments, as described in 4.8 and be without movement joints within its length. The forces acting on the locked-in structure, that are to be designed for, are illustrated in figure 5.4. The peak horizontal ground acceleration coefficient (C_o) to be used in computing the seismic inertia force shall be not less than as follows:

$$C_o = C_h(T_0)ZR_uS_p$$

Where:

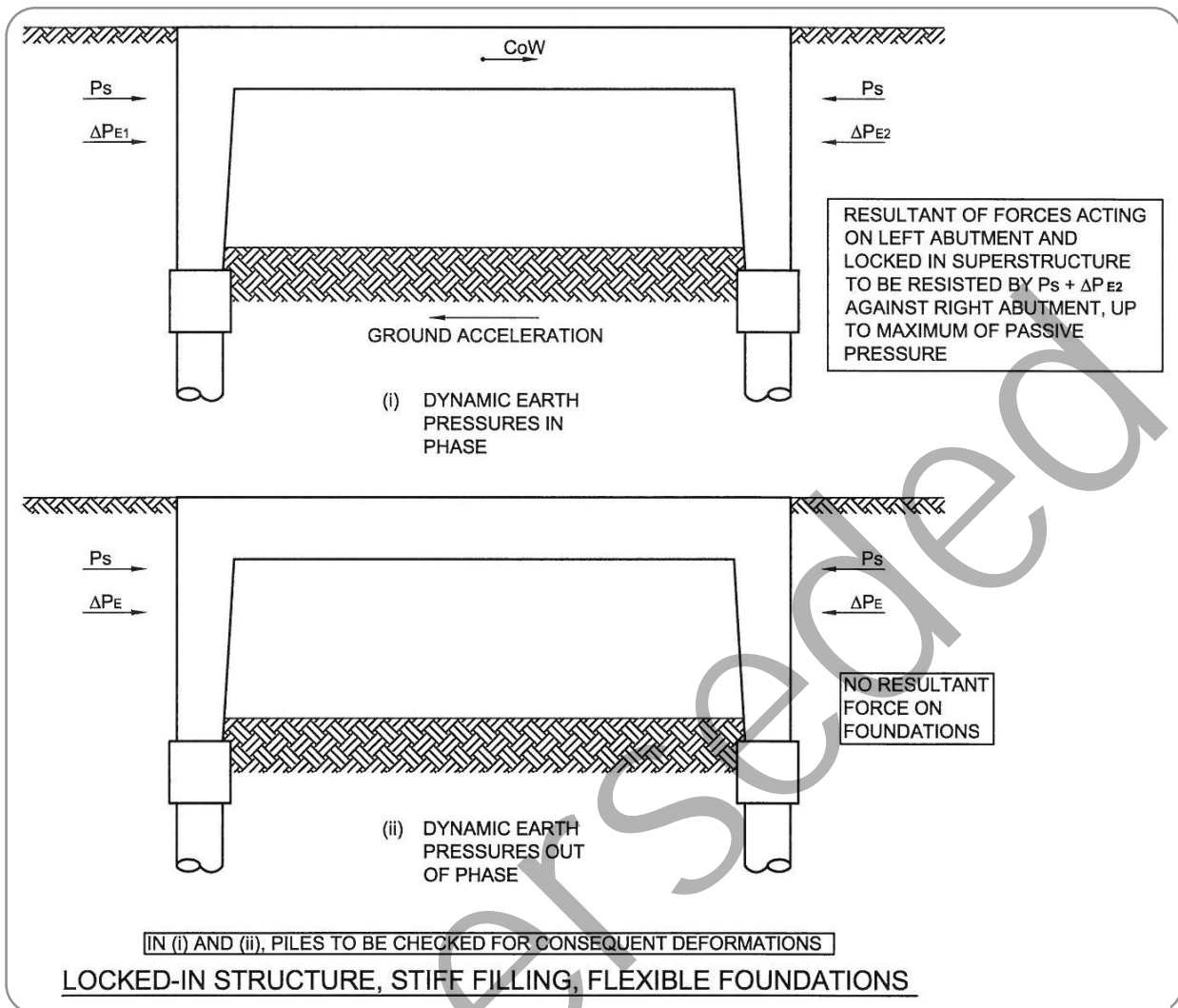
- $C_h(T_0)$ = spectral shape factor at $T=0$ applicable to modal response spectrum and numerical integration time history analysis from NZS 1170.5⁽¹⁾ clause 3.1.2
- Z = hazard factor from 5.2.2(a) and NZS 1170.5⁽¹⁾ clause 3.1.4
- R_u = return period factor from NZS 1170.5⁽¹⁾ clause 3.1.5
- S_p = structural performance factor from 5.2.5

Resistance to longitudinal seismic loads shall be provided by pressure of soil against each abutment alternately. Earth pressure shall be determined as in 6.2.4, but to allow for possible seismic overload, greater pressure shall be allowed for, up to a maximum equivalent to passive pressure, if practicable or economically justified.

Forces in the foundations due to consequent soil deformation shall be determined by an elastic analysis, including the effects of soil stiffness. Such a structure shall not be assumed to be locked-in for transverse earthquake, unless a specific resisting system is designed.

5.4.6 Structure on pile/cylinder foundations

- a. When estimating foundation stiffness to determine the natural period(s) of vibration of the structure and the curvature ductility demand on plastic hinges, a range of soil stiffness parameters typical for the site shall be considered. Allowance shall be made for:
- residual scour
 - pile/soil separation in cohesive soils to a depth of three times pile diameter
 - liquefaction of soil layers
 - potential uncertainties in soil stiffness
 - the potential for soil stiffness and strength degradation under repeated cyclic loading associated with earthquakes
 - the non-linear stress-strain properties of the resisting ground.

Figure 5.4: Seismic force combinations acting on a locked-in structure

5.4.6 continued

b. The design of pile foundations shall take account of:

- pile group action
- strength of the foundation as governed by the strength of the soil in which the piles are embedded
- the effect of liquefaction-induced lateral spreading of the ground
- additional loads on piles such as negative skin friction (down-drag) due to subsidence induced by liquefaction or settlement of the ground under adjacent loads (such as the approach embankment).

The horizontal support provided to piles by liquefied soil layers and overlying non-liquefied layers shall be assessed using appropriate current methods for determining liquefied or post-liquefied soil strength and stiffness. Alternatively, for liquefied soil layers their horizontal support to piles may be conservatively ignored.

c. The required strength of the piles, pile caps and the connection between these elements to resist the loads induced by seismic action shall be in accordance with the criteria above as appropriate. In addition:

- the design tensile strength of the connection between a pile and the pile cap shall not be less than 10% of the tensile strength of the pile

5.4.6 continued

- the region of reinforced concrete piles extending for the larger of the ductile detailing length defined by clause 10.4.5 of NZS 3101.1 *Concrete structures standard*⁽⁵⁾ or 500mm from the underside of the pile cap shall be reinforced for confinement as a plastic hinge.

- d. In the region of a steel shell pile immediately below the pile cap, the contribution of the shell (after deducting corrosion losses) may be included with respect to shear and confinement but shall be neglected in determining moment strength unless adequate anchorage of the shell into the pile cap is provided.

Where plastic hinging may occur in piles at the soffit of the pile cap the casing shall be terminated at least 50mm below the pile cap soffit and any associated blinding concrete. This is to prevent the casing acting as compression reinforcement, which can cause buckling of the casing and enhancement of the pile strength by an indeterminate amount affecting the capacity design of the structure. The plastic hinge length in this situation, arising from strain penetration both up into the pile cap and down into the pile, shall be taken to be:

$$L_p = g + 0.044f_y d_b$$

Where:

- L_p = plastic hinge length
- g = the gap between the pile cap soffit and the top of the casing (mm)
- f_y = yield strength of the pile flexural reinforcement (MPa)
- d_b = diameter of the pile flexural reinforcement bars (mm)

- e. Analyses of the effect of seismic loading on groups of raked piles shall take account of the simultaneously induced axial forces and flexure in the piles and rotation of the pile cap due to lateral displacements.

5.4.7 Structure on spread footing foundations

The soil stress induced by load combination 3A shall not exceed the product of the nominal bearing capacity of the soil and the appropriate strength reduction factor derived in accordance with 6.5.3. The foundations shall be considered under the combined static and earthquake loads.

5.4.8 Structure on rocking foundations

- a. If pier spread footings are expected to rock under design earthquake conditions, a time history dynamic analysis shall be performed to study the structure's behaviour, in accordance with 5.3.3. The structure shall be proportioned to limit the ratio of the total displacement of the centre of mass of the structure to the displacement of the centre of mass of the structure at initiation of rocking, to less than 3, unless evidence to justify a higher value can be produced.
- b. The nominal moment strength at the base of the pier stem shall be greater than 1.3 times the corresponding forces determined by analysis, as in 5.3. The footing and pier stem shall be designed on capacity design principles, to ensure that any yielding occurs in the pier stem, assuming design soil bearing strength. Capacity design requirements will be satisfied if the over strength flexural capacity of the pier hinge is matched by at least its own nominal shear strength, and the design moment and shear capacity of the footing.

The potential plastic hinge region at the base of the pier stem shall be detailed to ensure that it can sustain the possible limited rotation.

- c. The interaction of the structure and foundation during rocking shall be carefully considered in the assessment of a rocking foundation, and the potential for foundation strength and stiffness degradation shall be taken into account.

-
- 5.4.8 continued
- d. An assessment shall be made of the performance of both the structural and non-structural components of the bridge as a consequence of the vertical and horizontal movements associated with the rocking motion of the piers, to ensure that structural integrity will be maintained under both design, and more extreme earthquake conditions.
-

5.4.9 Structure with energy dissipating devices

A structure incorporating energy dissipating devices shall be designed in a similar manner to a ductile structure, as in 5.4.1. The energy dissipating devices shall be treated similarly to plastic hinges, and members resisting the forces induced in them designed using capacity design principles.

Energy dissipating devices shall have had their performance substantiated by tests. Their long-term functioning shall be assured by protection from corrosion and from water or debris build-up. The devices shall be accessible for regular inspection and maintenance, and to enable them to be removed and replaced if necessary.

Design guidance is contained in Road Research Unit bulletin 84, volume 3 *Seismic design of base isolated bridges incorporating mechanical energy dissipators*⁽⁶⁾.

5.5 Structural integrity and provision for relative displacements

5.5.1 Clearances

a. Structural clearances

At locations where relative movement between structural elements is designed to occur, sufficient clearance shall be provided between those elements and around such items as holding down bolts, to permit the calculated relative movement under design earthquake conditions to occur freely without inducing damage.

Where two components of earthquake movement may be out of phase, the earthquake component of the clearance provided may be based on the square root of the sum of the squares approach. Long-term shortening effects and one third of the temperature induced movement from the median temperature position shall be taken into account as implied by the load combinations in table 3.2.

On short skew bridges, consideration shall be given to increasing the clearance between spans and abutments by up to 25% to counter possible torsional movement of the span with respect to the substructure.

b. Deck joints

At temperature movement deck joints, clearances may be less than specified in (a), provided damage due to the design earthquake is limited to sacrificial devices (knock-up or knock-off devices), which have intentional weakness which permits localised damage to occur in a predetermined manner.

In such circumstances the range of movement to be accommodated by the joint shall not be less than one-quarter of the calculated relative movement under design earthquake conditions, plus long-term shortening effects where applicable, and one-third of the temperature induced movement from the median temperature position. Damage to deck joint seal elements due to the joint opening under this reduced earthquake movement is acceptable, provided mechanical damage is avoided (ie damage to jaws retaining seals, joint fixings or primary joint elements other than flexible glands).

5.5.2 Horizontal linkage systems

a. General

The security of all spans against loss of support during seismic movement shall be ensured either by a positive horizontal linkage system between the span and the support, or by specific provision for large relative displacements, as in the situations described below.

Linkage may be either tight or loose as described in (b) and (c), according to whether relative longitudinal movement is intended.

Requirements for provision of linkage are as follows:

- Longitudinal linkage is required between all simply supported span ends and their piers, and between the two parts of the superstructure at a hinge in the longitudinal beam system.
- Longitudinal linkage is not required at an abutment, provided that the overlap requirements of 5.5.2(d) are complied with.
- Longitudinal linkage is not required at a pier, for a superstructure with full moment continuity, provided the displacement of the reaction point would not cause local member distress.
- Transverse linkage is not required for any type of superstructure, provided that the transverse strength and stability of the span is sufficient to support an outer beam or truss if it should be displaced off the pier or abutment.

Acceptable means of longitudinal linkage are linkage bars (see appendix C for design details). Shear keys and bearings are not an acceptable means. Linkage elements shall be ductile, in order to ensure integrity under excess relative movement.

b. Tight linkage

A tight linkage shall be used, where relative horizontal movement is not intended to occur under either service loads or seismic loading. The linkage system shall be designed to have a design strength not less than the force induced therein under design seismic conditions, nor less than that prescribed below for loose linkage. Where applicable, rubber pads shall be provided between the two elements of the bridge linked together in this fashion, to enable relative rotation to occur.

c. Loose linkage

At a position where relative horizontal movement between elements of the bridge is intended to occur under earthquake conditions, the linkage shall be designed to be 'loose', ie sufficient clearance shall be provided in the system so that it does not operate until the relative design seismic displacement is exceeded. Loose linkage is intended to act as a second line of defence against span collapse in earthquakes more severe than the design event or in the event of pier top displacement resulting from excessive pier base rotation.

Toroidal rubber buffers as shown in appendix C shall be provided between the elements of the bridge which are loosely linked. The elements of loose linkage between a span and its support shall have a design strength not less than that required to resist a force equal to at least 0.2 times the dead load of the contributing length of superstructure. The contributing length of superstructure shall generally be the smaller of two unequal lengths, except in the case of a short length (eg a suspended span) between two longer lengths. In this case, the strength shall be based on the longer lengths.

5.5.2 continued

d. Overlap requirements

Overlap dimensions are defined in figure 5.5. They apply in both longitudinal and transverse directions.

To minimise the risk of a span being displaced off either its bearings or the pier or abutment under earthquake conditions in excess of the design event, the bearing overlap at sliding or potentially sliding surfaces and the span/support overlap given in table 5.5 shall be provided.

On short skew bridges, overlap requirements shall be increased by up to 25%. Where there are two components of earthquake movement which may be out of phase, the earthquake component of the overlap requirements may be based on the square root of the sum of the squares approach.

Figure 5.5: Overlap definition

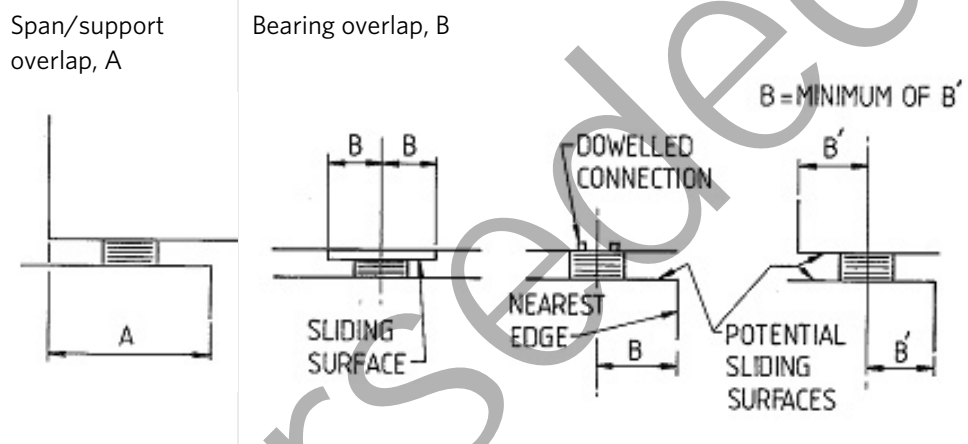


Table 5.5: Minimum overlap requirements

Linkage system	Span/Support overlap	Bearing overlap
No linkage system	$2.0E + 100\text{mm}$ (400mm minimum)	$1.25E$
Loose linkage system	$1.0E' + 100\text{mm}$ (300mm minimum)	$1.0E'$
Tight linkage system	200mm	-

Where:

E = relative movement between span and support, from median temperature position at construction time, under design earthquake conditions, $EQ+SG+TP/3$

E' = equivalent relative movement at which the loose linkage operates, ie $E' \geq E$.

EQ , SG and TP are displacements resulting from load conditions described in section 3 and combined as in table 3.2.

5.5.3 Holding down devices

See 2.1.7.

5.5.4 Effects of concurrent orthogonal movement

Provision shall be made for the effects on linkage and bearing assemblies of relative horizontal seismic movement between bridge members occurring concurrently in the longitudinal and transverse directions.

5.6 References

-
- (1) Standards New Zealand NZS 1170.5:2004 *Structural design actions*. Part 5 Earthquake actions - New Zealand.
 - (2) Standards New Zealand NZS 1170.5 Supplement 1:2004 *Structural design actions*. Part 5 Earthquake actions - New Zealand - Commentary.
 - (3) Ministry of Business, Innovation & Employment (2011) *Compliance document for New Zealand building code*. Clause B1 Structure. Wellington.
 - (4) Standards Australia and Standards New Zealand jointly AS/NZS 1170.0:2002 *Structural design actions*. Part 0 General principles.
 - (5) Standards New Zealand NZS 3101.1&2:2006 *Concrete structures standard*.
 - (6) Chapman HE and Kirkcaldie DK (1990) *Seismic design of base isolated bridges incorporating mechanical energy dissipators*. Road Research Unit Bulletin 84, Volume 3. NZ Transport Agency, Wellington.
-

Superseded

6.0 Site stability, foundations, earthworks and retaining walls

In this section		Page
6.1	Scope	6-2
6.2	Design loadings and analysis	6-2
6.3	Earthquake induced liquefaction, slope instability and ground deformation	6-16
6.4	Design of earthworks	6-19
6.5	Foundations	6-22
6.6	Earth retaining systems	6-25
6.7	Geofoam road embankments	6-35
6.8	Geosynthetic soil reinforcement	6-36
6.9	References	6-38
Addendum 6A	Table 6A.1	6-41

6.1 Scope

This section presents design philosophy and design criteria for the following:

- assessment of slope stability, liquefaction and lateral spreading in earthquakes
- design of mitigation measures for liquefaction and slope instability
- foundation design
- design of embankments and cut and fill slopes
- design of earth retaining structures including mechanically stabilised earth (MSE).

It includes the assessment and design under both non-seismic conditions and earthquake shaking and specifies minimum post-earthquake performance standards.

Acceptable methods of assessment are stated within this section. Alternative methods may be adopted but shall be suitably established, internationally recognised, widely used methods and shall be noted in the structure options report or structure design statement.

The term "soil structures" used in this section combines cut and fill slopes (including stabilised slopes), embankments and earth retaining structures (including MSE).

6.2 Design loadings and analysis

6.2.1 General

Design loads to be considered shall be as specified in section 3 of this manual. In particular, earth loads are specified in 3.4.12 and load combinations in 3.5.

6.2.2 Earthquake loads and analysis for the assessment of liquefaction and of the stability and displacement of slopes and retaining walls

The design earthquake loading to be applied to soils, rock and independent earth retaining structures shall be derived as set out herein.

Methods for the assessment of liquefaction, slope stability, and slope and retaining wall displacements referred to within this section require the application of peak ground accelerations in combination with a corresponding earthquake magnitude. The peak ground accelerations (PGA) to be applied shall be 'unweighted' and derived for the relevant return period as follows:

$$PGA = C_{0,1000} \times \frac{R_u}{1.3} \times f \times g$$

Where:

$C_{0,1000}$ = 1000 year return period PGA coefficient for a subsoil Class A or B rock site or Class C shallow soil site derived from figure 6.1(a), or for subsoil Class D deep or soft soil site or Class E very soft soil site from figure 6.1(b).
Alternatively, for the locations listed, PGA coefficients may be taken from table 6A.1 contained in addendum 6A

R_u = return period factor derived from table 3.5 of NZS 1170.5 *Structural design actions* part 5 Earthquake actions – New Zealand⁽¹⁾ corresponding to the design return period determined from tables 2.2 or 2.3, as appropriate

f = Site subsoil class factor, where

$f = 1.0$ for a Class A, B, D and E soil sites

$f = 1.33$ for a Class C shallow soil site

6.2.2 continued

The earthquake magnitude shall be derived for the relevant return period from table 6A.1 contained in addendum 6A or figures 6.2(a) to (f).

As a lower bound, the ultimate limit state effects to be designed for shall not be taken to be less than those due to a 6.5 magnitude earthquake at 20km distance, for which the peak ground acceleration coefficients shall be derived from table 6.1.

Table 6.1: Peak ground acceleration coefficients corresponding to a magnitude 6.5 earthquake at 20 km distance

Site subsoil class	Class A/B rock	Class C shallow soil	Class D deep or soft soil	Class E very soft soil
PGA coefficient (g)	0.14	0.19	0.16	0.16

Note that PGAs derived using NZS 1170.5⁽¹⁾ are magnitude weighted to correspond to an earthquake magnitude of 7.5. Given that the performance of soils, earth structures, slopes and retaining walls exhibit a step-wise behaviour (where a critical acceleration results in a sudden loss of stability, ie dramatic change in behaviour), use of these values may be unconservative. Therefore unweighted PGAs are to be used in the assessment and design of these soil structures for earthquakes.

Unweighted PGAs are to be derived as specified herein. They are not to be back-calculated from NZS 1170.5⁽¹⁾ magnitude weighted PGAs as doing so will give rise to inconsistencies due to the approximations that are inherent in the NZS 1170.5⁽¹⁾ site hazard spectra.

The effective magnitudes presented by figures 6.2(a) to (f) have been derived from the NZS 1170.5⁽¹⁾ hazard analysis results for the overall set of earthquakes affecting each location by inverting the PGA magnitude weighting equation on which the magnitude weighted PGAs presented in NZS 1170.5⁽¹⁾ are based. Caution should be exercised in the use of these effective magnitudes as appropriately matching peak ground accelerations with earthquake magnitudes, representing the duration of shaking, lacks precision. Peak ground accelerations attenuate rapidly with distance and so their estimation is influenced most by local sources. Shaking duration may often be indicated in spectra by longer period components of motion, which are often contributed to most by larger magnitude more distant earthquakes.

For liquefaction analysis, an earthquake magnitude should be used in combination with the PGA.

Dependent on the value of the project soil structures and earthworks to be designed for earthquake resistance, a site specific seismic hazard study shall be undertaken as a special study, as follows:

- less than \$3 million - a site specific study is not required
- \$3 million to \$7 million - a site specific study is advisable
- more than \$7 million - a site specific study is mandatory (values at December 2012^(*))

Where the site is formed by potentially liquefiable materials, NZTA may instruct the designer to carry out a site specific seismic study for projects with values of less than \$7 million, especially for soil structures with importance levels 3 and 4.

* Values shall be adjusted to current value. For the relevant cost adjustment factor refer to the NZTA's *Procurement manual*, Procurement manual tools, Latest cost index values for infrastructure, table 1 Cost adjustment factors, part 2 - Construction⁽²⁾

6.2.2 continued

Deaggregation of seismic hazard shall be carried out as part of a site specific seismic study. The individual sources contributing the most to the seismic hazard of the site should be considered. The PGA and magnitude values representing realistic ground motions that could actually occur at the site due to known active faults in the area should be used in the assessment of liquefaction. This process may yield more than one magnitude-PGA pair for liquefaction analysis in some areas of New Zealand. Each magnitude-PGA pair should be evaluated individually in the liquefaction analysis. If liquefaction is estimated for any given magnitude-PGA pair, the evaluation of that pair should be continued through the slope stability and lateral deformation evaluation processes.

The effects to be designed for shall not be less severe than those due to the lower bound event of a magnitude 6.5 earthquake at 20km distance.

Where site specific seismic hazard studies are undertaken as permitted or required for any of the cases described above, such studies shall comply with the requirements of 5.2.3, except that magnitude weighting shall not be applied.

Loads derived in accordance with this clause are also applicable to the design of MSE walls and slopes for both their external and internal stability and for the design of their facing panels.

Using the relevant ultimate limit state load combinations specified in 3.5, bridge foundations and soil structures shall be checked for stability subject to the appropriate load combinations and strength reduction factors.

The stability of the supporting ground to bridge structures (either slopes or retained ground) shall be such that:

- the performance requirements specified in 5.1.2 for a minor earthquake, a design level earthquake and a major earthquake are satisfied
- the collapse of bridge structures is avoided under a maximum considered event (MCE) combined with a peak ground acceleration of 1.5 times the maximum peak ground acceleration derived as above.

Where a site specific seismic hazard analysis has been undertaken, the magnitude associated with maximum considered motions (ie those associated with 1.5 times the maximum design peak ground accelerations) shall be adopted as the MCE. In the absence of such an analysis, the figure shown in the relevant coloured region of figure 6.3 shall be adopted as the default MCE magnitude to be used in conjunction with 1.5 times the design peak ground accelerations.

For the assessment of the seismic performance of embankments, slopes, cuttings, and earth retaining structures, and in the assessment of liquefaction potential, a structural performance factor (S_p) or any other reduction factor shall not be applied to the design earthquake loads unless otherwise specified herein.

Where time-history analysis is applied to the analysis of the response of features and structures falling within the scope of this section 6, the requirements pertaining to the application of time-history analysis set out in 5.2.6(c) and 5.3.3(d) shall be complied with.

Figure 6.1(a): Unweighted peak ground acceleration coefficients, $C_{0,1000}$, corresponding to a 1000 year return at a subsoil Class A or B rock site or Class C shallow soil site



Note: For Class C sites a scale factor of $f=1.33$ needs to be applied to the PGA coefficients derived from this figure.

Figure 6.1(b): Unweighted peak ground acceleration coefficients, $C_{0,1000}$, corresponding to a 1000 year return at a subsoil Class D or E deep or soft soil site

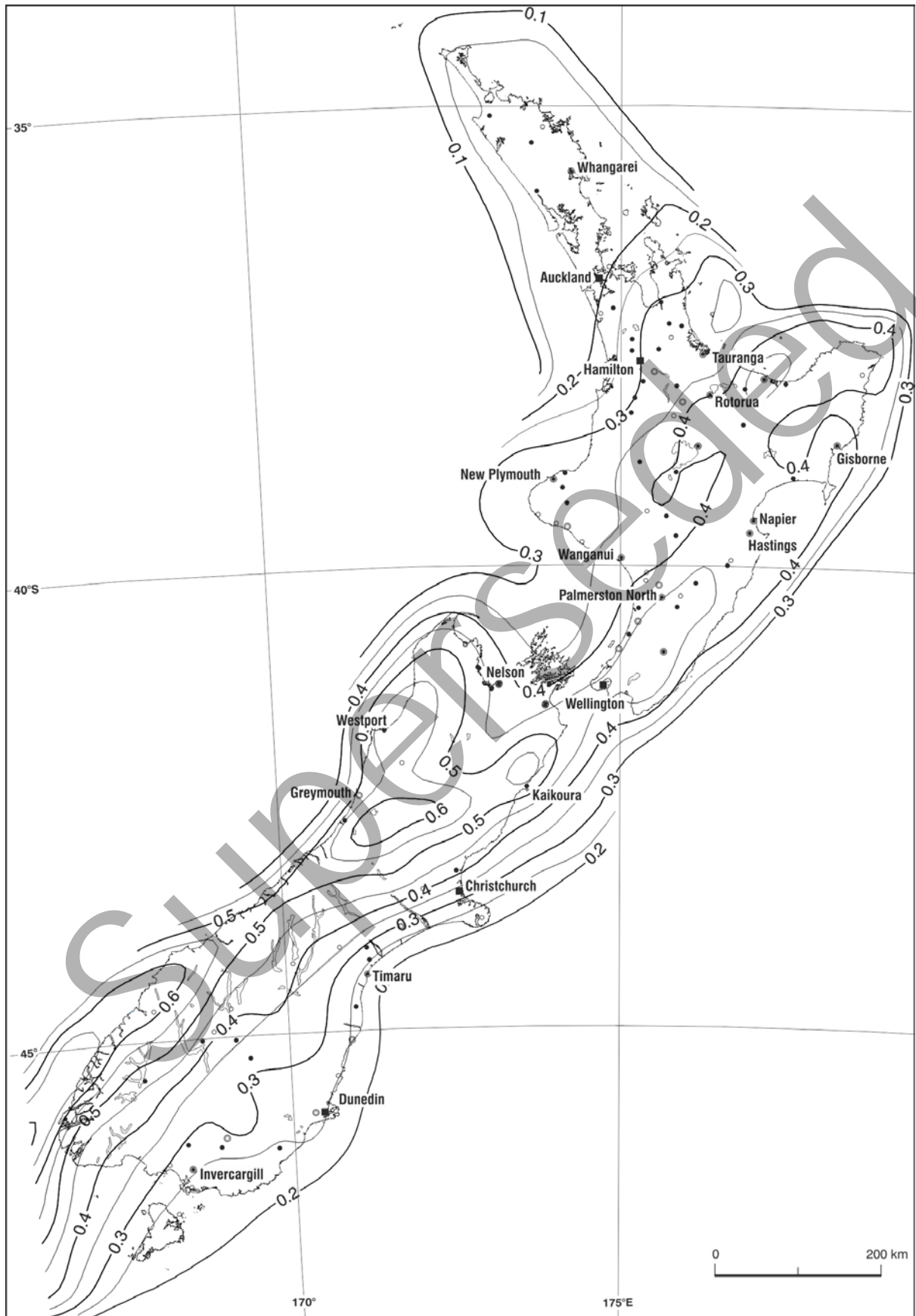


Figure 6.2(a): Effective magnitudes for use with unweighted peak ground accelerations (2500 year return period)

Note - Figure 6.2(b): Not used

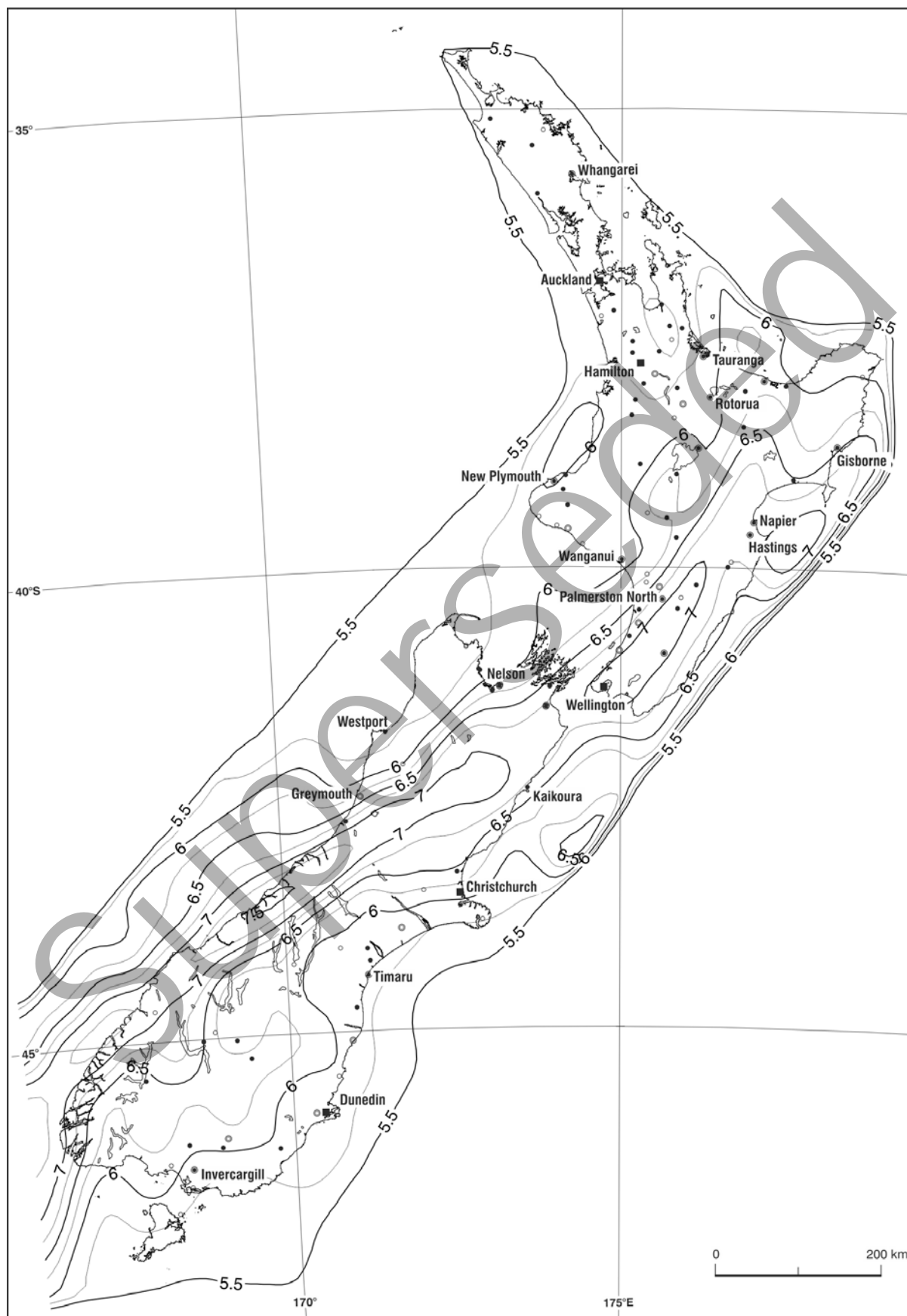


Figure 6.2(c): Effective magnitudes for use with unweighted peak ground accelerations (1000 year return period)

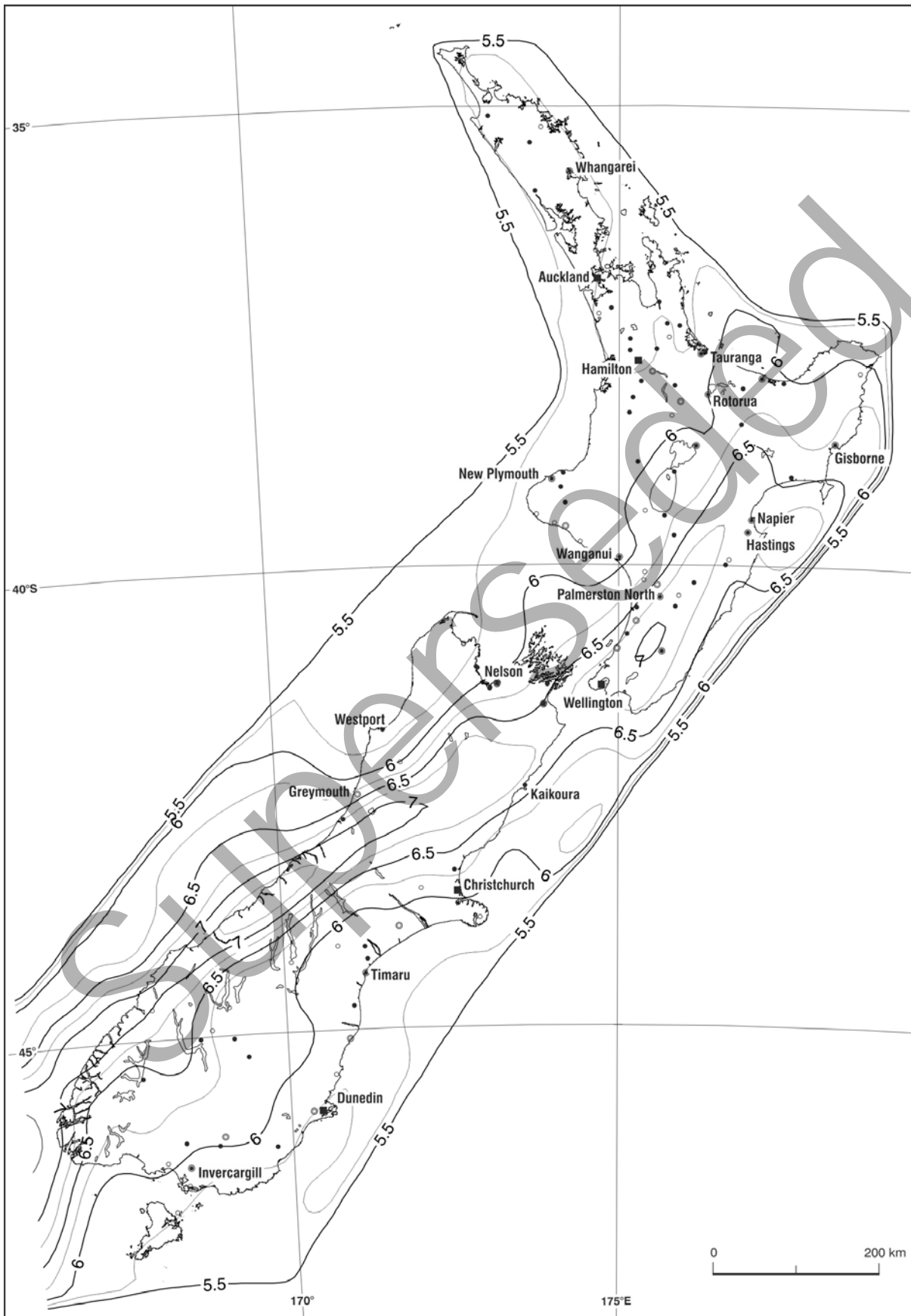


Figure 6.2(d): Effective magnitudes for use with unweighted peak ground accelerations (500 year return period)

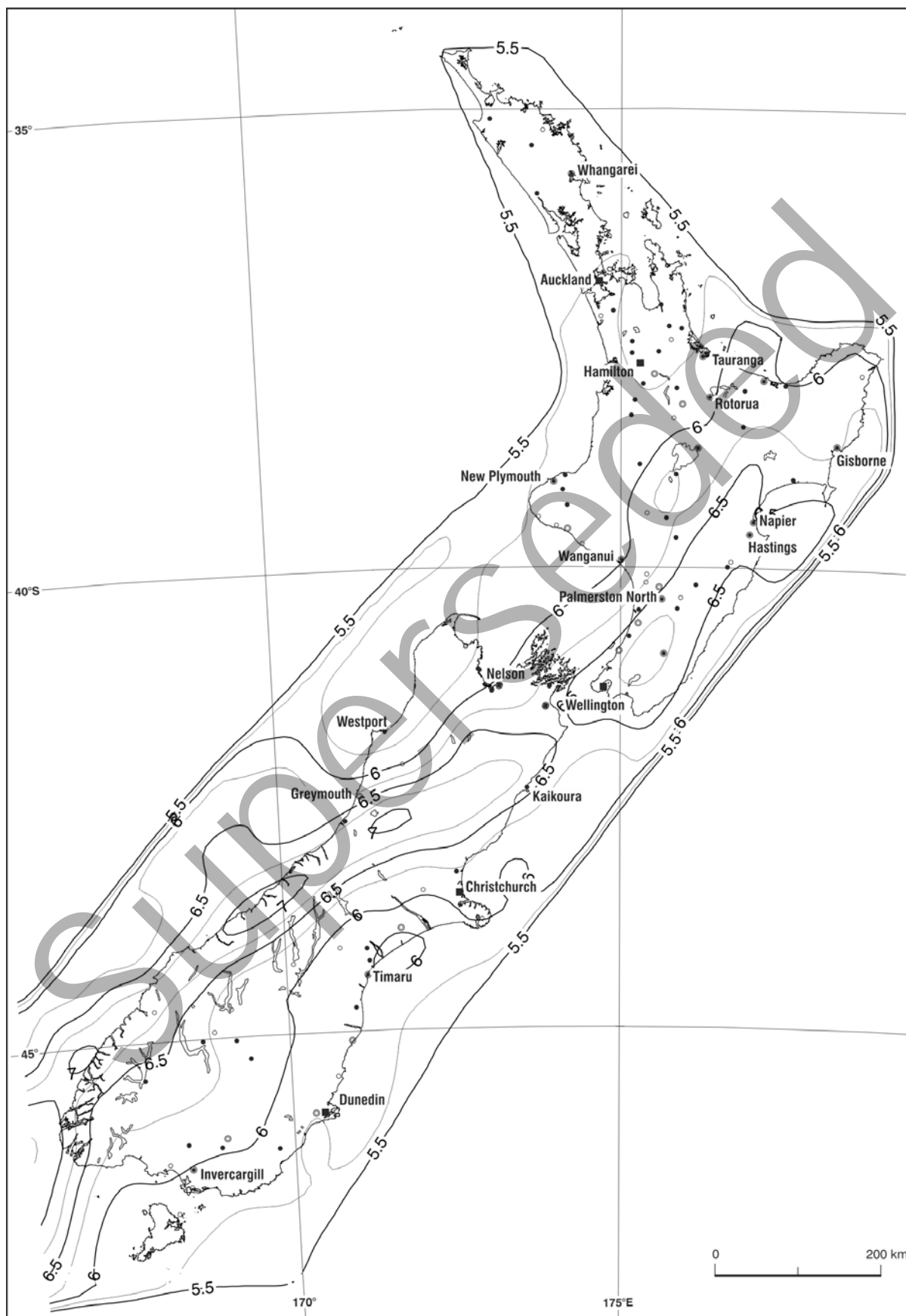


Figure 6.2(e): Effective magnitudes for use with unweighted peak ground accelerations (100 year return period)

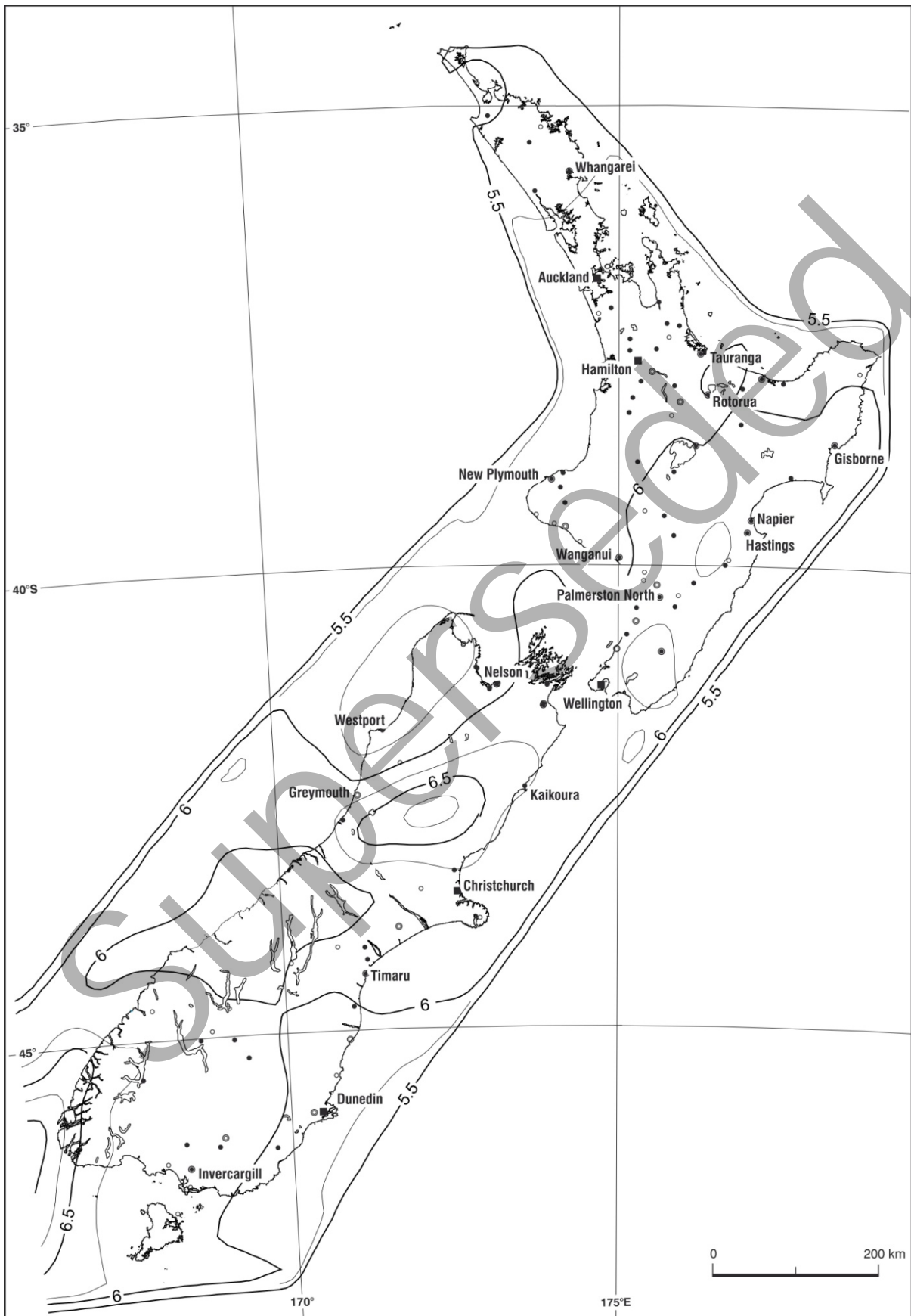


Figure 6.2(f): Effective magnitudes for use with unweighted peak ground accelerations (50 year return period)

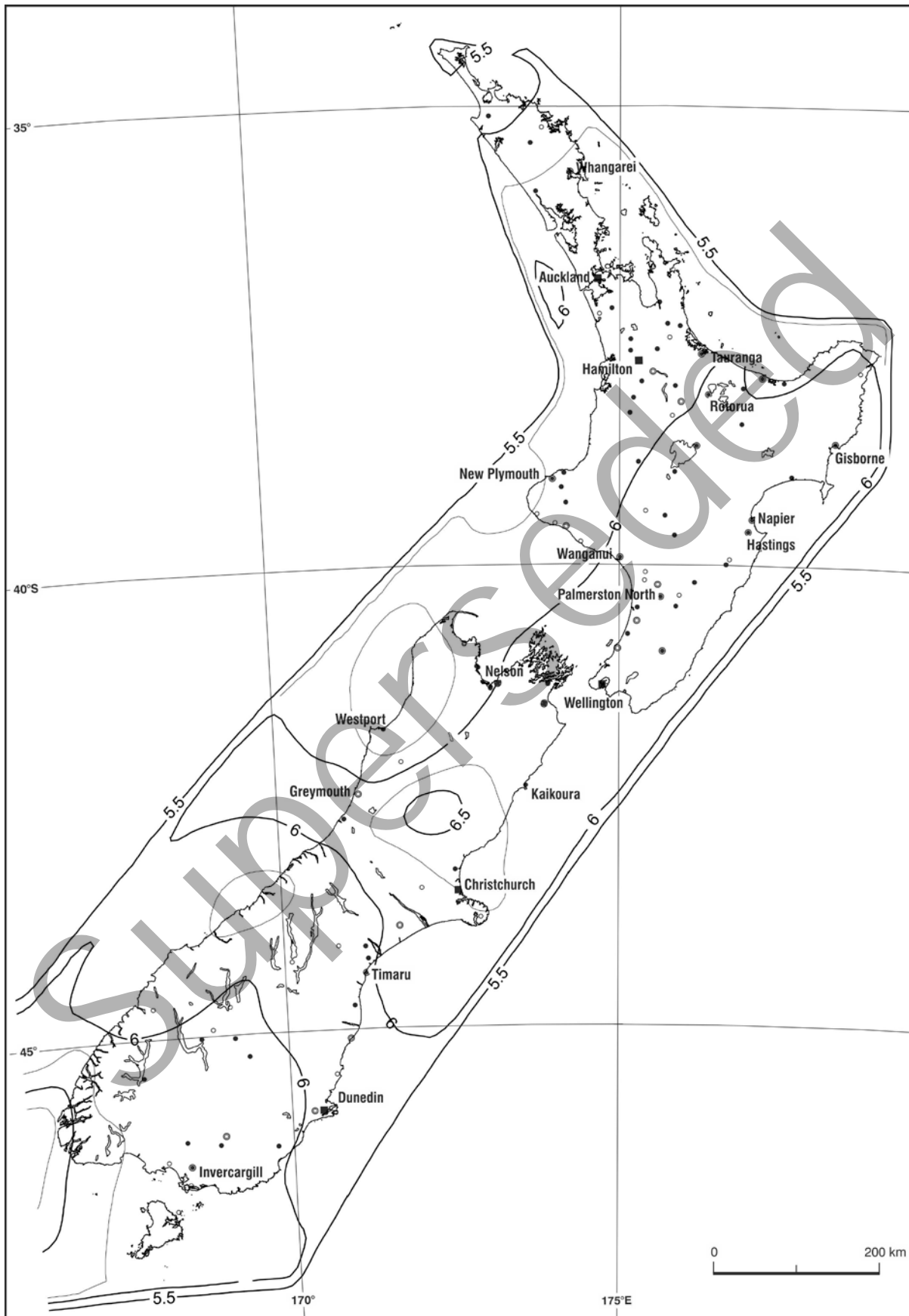
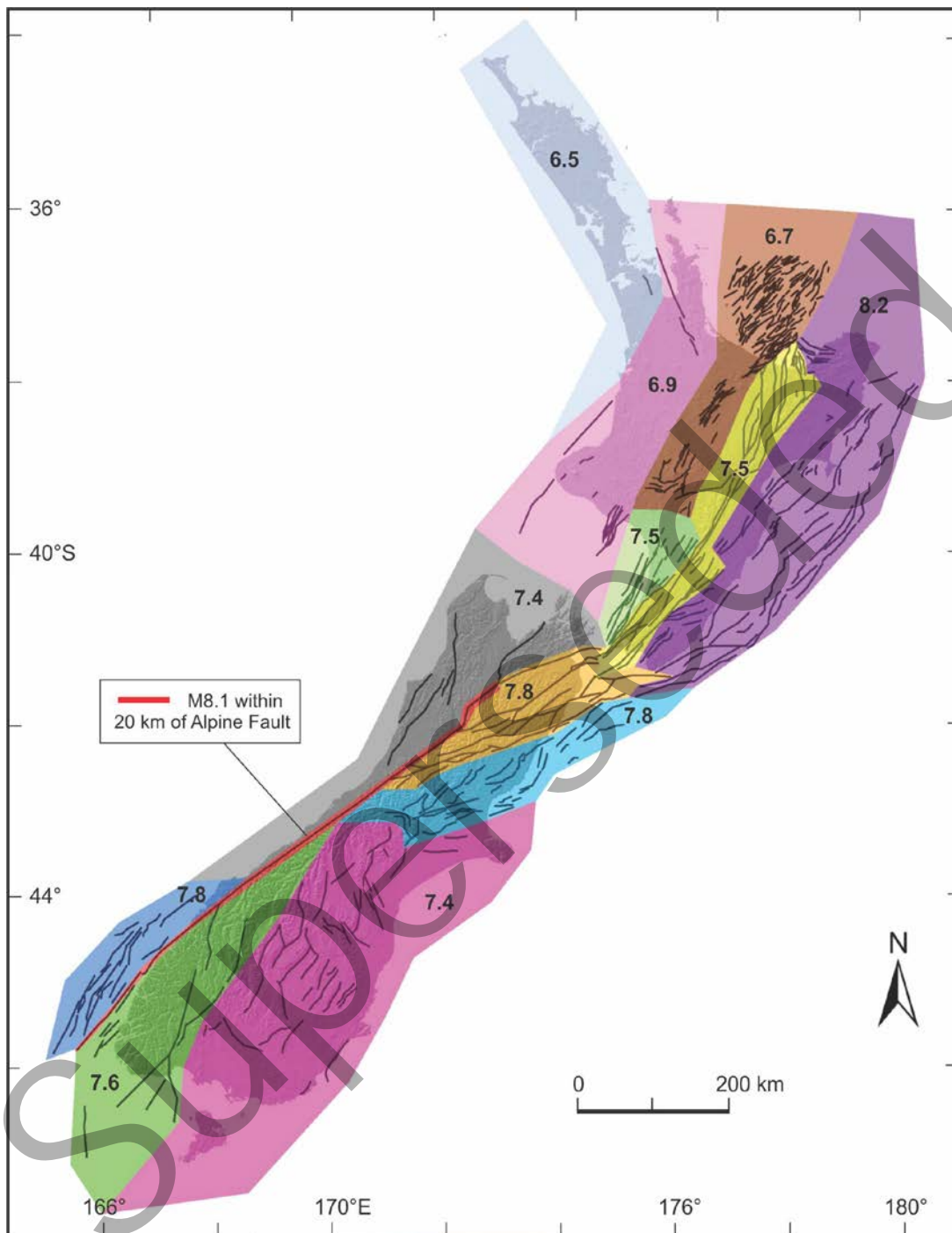


Figure 6.3: Default magnitudes for application in considering bridge structure collapse avoidance in the absence of magnitude deaggregation analysis from a site-specific hazard analysis



Notes:

- (i) Ideally, magnitudes associated with the maximum motions to be considered for collapse avoidance should be derived from deaggregation analyses performed as part of site-specific hazard analyses. The magnitudes from figure 6.3 shall be used in the absence of such analyses.
- (ii) The magnitudes in each region have been derived from consideration of the magnitudes associated with faults in the region that have estimated average recurrence intervals of rupture less than 10,000 years, the approximate return period associated with collapse avoidance for the most important (ie importance level 4) structures. They are likely to be larger than derived from site-specific analyses, especially for structures of lower importance level than importance level 4. The magnitudes may also be lower in locations remote from those faults associated with the magnitudes assigned to the region as a whole.
- (iii) The northern part of the North Island has been assigned the magnitude of 6.5 associated with the event that governs the minimum ultimate limit state ZR_u factor of 0.13.

6.2.3 Design earthquake loads for the structural design of earth retaining structures

- a. Design earthquake loads given in this clause should not be used for the assessment of liquefaction, lateral spreading, deep-seated instability, seismic settlements and displacements of slopes and retaining walls, and for design of MSE structures. Seismic loads for these cases are given in 6.2.2.

For the structural design of earth retaining structures comprised of concrete, steel or timber elements, the design horizontal ground acceleration to be used in computing seismic inertia forces of non-integral abutments and independent walls and of the soil acting against them shall be as follows:

$$\text{Design acceleration } C_o g = C_h(T_0) Z R_u S_p g$$

Where:

C_o = design ground acceleration coefficient

g = acceleration due to gravity

$C_h(T_0)$ = spectral shape factor at $T=0$ from NZS 1170.5⁽¹⁾ table 3.2, (given in brackets in the table), for the appropriate site subsoil category

S_p = structural performance factor as determined from 5.2.5

Z = hazard factor, determined from 5.2.2 and NZS 1170.5⁽¹⁾ clause 3.1.5

R_u = return period factor at the ultimate limit state, determined from NZS 1170.5⁽¹⁾ table 3.5 for the annual probability of exceedance appropriate for the importance level of the structure as prescribed in table 2.2

For the ultimate limit state, the product $Z R_u$ shall not be taken as less than 0.13.

Non-integral abutments and independent walls are defined in 6.6.1(a).

- b. All structural components of abutments and walls shall have a design strength not less than the forces calculated using the relevant ultimate limit state load combinations specified in 3.5.

6.2.4 Earth pressures and structure inertia forces on earth retaining structures

The forces discussed in 6.2.4(a) and (b) are illustrated in figure 6.4.

- a. The following earth pressure effects shall be taken into account:

P_s - force due to static earth pressure (including compaction force, where appropriate).

ΔP_E - increment or decrement in earth pressure due to earthquake.

P_F - increment of force on wall due to its displacement towards the static backfill (force by the seismic response from a bridge superstructure).

In assessing earth pressure effects, due account shall be taken of the relative stiffnesses of the wall, backfill, foundations and any tie-back anchors.

The earthquake increment of earth pressure (ΔP_E) shall be derived using the 'rigid', 'stiff' or 'flexible' wall pressure distributions, where the wall classifications of 'rigid', 'stiff' or 'flexible' depend on the wall movements, all as given in the Road Research Unit bulletin 84, volume 2 *Seismic design of bridge abutments and retaining walls*⁽³⁾. As recommended in the document, the widely used Mononobe-Okabe earthquake pressure increments shall be used only when there is sufficient wall movement for the wall to be 'flexible'. Passive earth pressure decrements due to earthquake shaking shall be applied for the earthquake load case where passive pressures are relied on to provide stability, and these can be derived using the approach provided in the bulletin.

6.2.4 continued

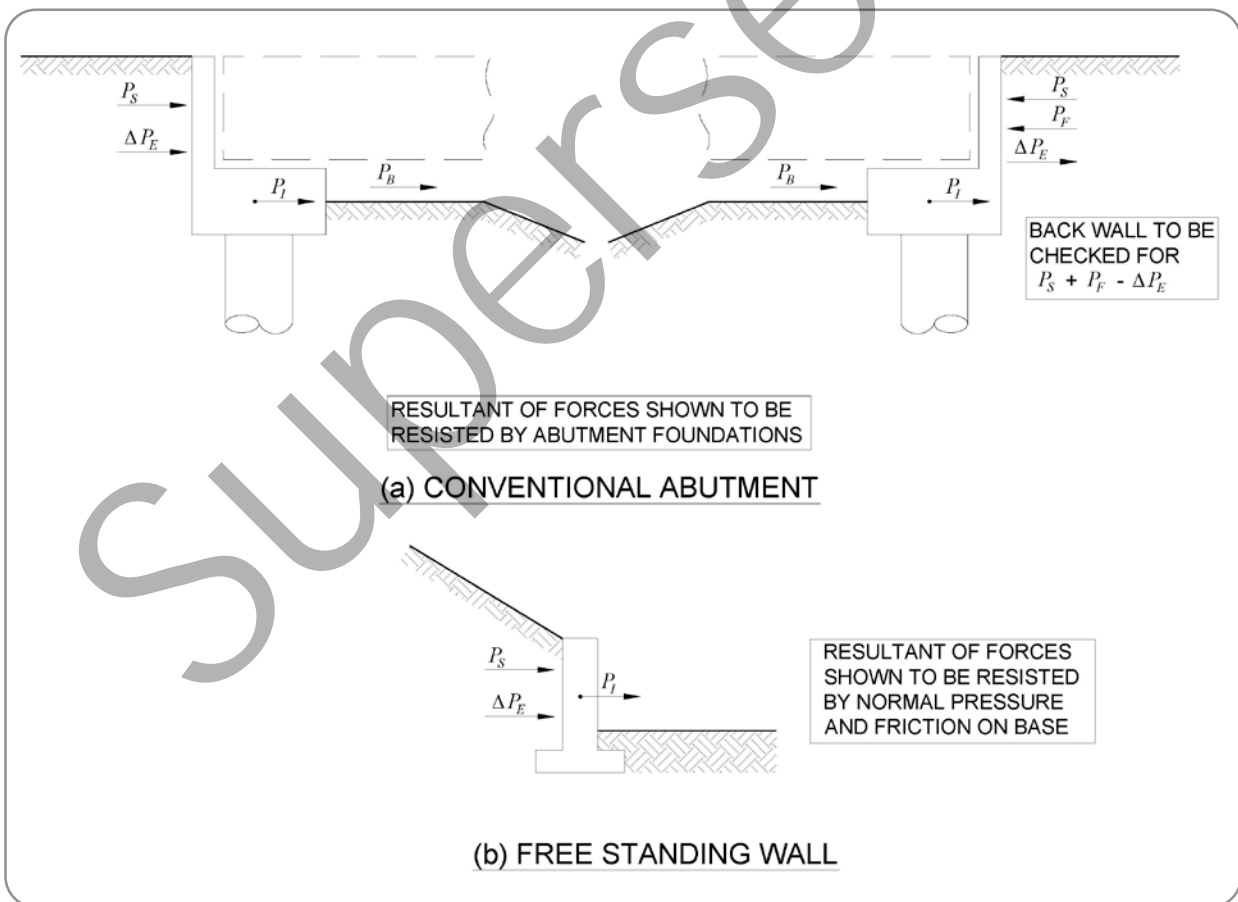
b. The structural inertia forces to be taken into account shall include:

- P_I - The inertia force on the abutment or wall due to ground acceleration acting on the wall, and the soil block above the heel of the wall;
- P_B - The force, if any, transmitted between the superstructure and the abutment. This force is the sum of that transmitted by the bearings, and that transmitted by a load limiting device if any.

The force due to sliding bearings shall be calculated assuming the maximum likely friction coefficient. A value of at least 0.15 shall be assumed as specified by 5.3.4(b). The force due to other bearings shall be the product of the total support stiffness and the seismic displacement, Δ . The calculation of Δ shall take account of the relative stiffness of the various supports, and the relative stiffness of the abutment bearings and foundations.

c. The appropriate forces shall be combined as shown in figure 6.4. The structure shown in (a) represents extremes of relative resistance provided by the abutment piles and the backfill. Designs shall take account of intermediate conditions applying as appropriate. In both abutment cases the probability of P_B being out of phase with $\Delta P_E + P_I$ may be taken account of by applying the square root of the sum of the squares of the forces.

Figure 6.4: Seismic force combinations on non-integral abutments and retaining walls



6.2.5 Groundwater levels, pressures and effects

Groundwater pressures, and the effect of groundwater on the stability and seismic performance of the site and soil structures, such as liquefaction, shall be considered. These should be based on groundwater levels recorded from site investigations with consideration given to the seasonal fluctuation of groundwater levels; potential for higher groundwater conditions in storm or rainfall events; the fluctuation of groundwater levels with river levels and tidal conditions; artesian water heads; and any potential for changes to groundwater level as a result of the construction or other anticipated changes during the life of the structures or slopes. The effects of climate change or other local changes in the area shall be taken into account.

6.2.6 Serviceability limit state

In addition to the ultimate limit state specified herein, soil structures shall also satisfy the following serviceability limit state requirements:

- a. Where the serviceability of structures (bridges, major culverts, major sign gantries, etc) is dependent on, or influenced by associated or adjacent soil structures, the soil structures shall be designed to ensure that their performance does not deleteriously affect the structure from satisfying its serviceability requirements, as specified elsewhere within this manual.
- b. All soil structures associated with roads shall remain undamaged following earthquake events with an annual exceedance probability of 1/25.
- c. The operational continuity of routes shall not be significantly impeded following earthquake events of relatively low annual exceedance probabilities. The road controlling authority shall be consulted and should define the operational performance expectations for the section of road to be designed, taking into consideration the redundancy in the regional road network, and the resilience required for the proposed road to ensure the desired functionality of the road network. This should provide the access resilience expectations in terms of degree of access required on the road after different levels of events and the time for restoration of access.

The following default values are provided in the absence of such considered definition:

- i. 1/100 for routes of importance level 4, and routes of importance level 3 as identified in figures 2.1(a) to (c)
- ii. 1/50 for routes of importance level 2, being a route not falling into other levels
- iii. 1/25 for minor routes of importance level 1, being no exit or loop rural roads, not serving a through route function and serving populations of <50.
- d. Operational continuity is defined as:
 - i. full live load capacity is maintained
 - ii. the road shall be useable by emergency traffic
 - iii. full vehicle access is restorable within 24 hours
 - iv. any necessary repairs shall be of such a nature that they can be completed within one month.

6.3 Earthquake induced liquefaction, slope instability and ground deformation

6.3.1 Causes

Ground rupture, instability and deformation can result from:

- earthquake shaking
- earthquake induced liquefaction
- lateral spreading with or without associated liquefaction or cyclic softening
- fault rupture associated with earthquakes
- subsidence from other causes, such as groundwater changes, mining, etc. These effects are not considered in this section, but should be assessed where they could occur.

Earthquakes can give rise to ground rupture, slope instability, liquefaction, cyclic softening, deformation, tectonic subsidence and liquefaction/lateral spreading induced subsidence due to extensive liquefaction, and the potential for such effects to occur, and their effect on the road and the associated structures, should be considered.

6.3.2 Assessment of slope or land stability in earthquakes

Potential slope instability and displacements shall be assessed using geotechnical principles, as follows:

- The factor of safety against instability shall be assessed using conventional slope stability analysis with load and strength reduction factors of one, and the relevant earthquake accelerations as set out in 6.2.2. Average groundwater conditions or maximum tide levels should be assumed for this assessment.
- If the factor of safety is less than 1 and the failure mechanism is not brittle (such as in rocks where the initiation of failure could substantially reduce the strength of the materials), then the critical ground acceleration at which the factor of safety is one shall be assessed using large strain soil parameters consistent with the likely displacements due to earthquake shaking.
- The displacement likely at the design ultimate limit state seismic response, and under the MCE associated with bridge collapse avoidance, shall be assessed using moderately conservative soil strengths consistent with the anticipated strain and a Newmark sliding block displacement approach. Displacements may be assessed using the methods described by Ambraseys and Srbulov⁽⁴⁾ or Jibson⁽⁵⁾, or as outlined in *Geotechnical earthquake engineering practice*, module 1 – Guideline for the identification, assessment and mitigation of liquefaction hazards⁽⁶⁾ (*Geotechnical earthquake engineering practice*) using the relevant peak ground accelerations (see 6.2), and the distance to the dominant earthquake sources in the area. Where a Newmark sliding block method is applied, the 84th percentile displacement shall be derived for the ultimate limit state event and 50th percentile for the MCE. At least three different commonly accepted methods for the assessment of the displacement shall be used and the range of predicted displacements (rather than a single value) should be used in the design process.
- The serviceability limit state requirements of 6.2.6 shall be satisfied.
- The effects of the design ultimate limit state seismic response displacement on any affected structures, shall be assessed, and compared against the performance criteria specified in 5.1.2. Allowance shall be made for the cumulative displacement arising from at least two design ultimate limit state seismic events occurring in sequence.

6.3.3 Earthquake induced liquefaction

a. Soils susceptible to liquefaction and cyclic softening

The liquefaction of saturated predominantly cohesionless soils (generally sand, silt and loose sandy gravels) and cyclic softening of clays and plastic silts during strong earthquake shaking shall be taken into consideration in the design of structures, including highway bridges and their approaches, retaining walls and embankments and the stability assessment of natural slopes.

b. Site investigations

Sufficient geotechnical investigations, field and laboratory tests shall be carried out to assess the potential for liquefaction, cyclic softening and consequential effects at the site. This will typically include drilling of boreholes with standard penetration tests to obtain samples for laboratory testing and static cone or piezocone penetration tests.

Where liquefaction susceptible soils containing gravels are present, where static cone penetration tests and standard penetration test results would be influenced by gravel particles, the use of in-situ shear wave velocity tests should be considered. Laboratory testing will typically comprise particle size distribution tests and, where there is significant silt content, Atterberg Limits tests.

Additional dynamic triaxial tests should be considered if the potential for liquefaction or cyclic softening is uncertain but is critical to the performance of a significant structure. The results of the site investigations are to be documented in a site investigation report.

c. Liquefaction and cyclic softening triggering assessment

Liquefaction and cyclic softening assessment shall be carried out using appropriate methods such as those recommended in *Geotechnical earthquake engineering practice*⁽⁶⁾. Peak ground accelerations with the appropriate earthquake magnitude (see 6.2) shall be used to assess the critical acceleration to cause liquefaction of each susceptible soil layer, and the potential for liquefaction of the site at each of the limit states.

Where significant embankments are proposed on liquefaction susceptible ground, the potential for liquefaction with and without the overburden contribution of the embankment shall be assessed.

The assessment of liquefaction and cyclic softening, together with all the assumptions, methods, and analysis results shall be documented.

d. Assessment of the effects of liquefaction and cyclic softening

The following effects of liquefaction shall be taken into consideration in the development of design concepts and design of the project:

- Reduction in soil strength and stiffness due to liquefaction and cyclic softening resulting in a reduction in pile lateral capacity and stiffness leading to modification of the flexibility of the structure and an increase in damping and the fundamental period of the structure.
- Loss or reduction in foundation capacity for bearing, uplift or lateral loading.
- Subsidence of the ground. Subsidence shall be assessed using the methods of Ishihara & Yoshimine⁽⁷⁾ or Zhang, Robertson and Brachman⁽⁸⁾.

6.3.3 continued

- Negative skin friction or down-drag on piles due to subsidence associated with liquefaction, and the downward movement of liquefiable soil and any overlying or interbedded liquefaction resistant layers.
- Uplift and flotation of buried structures (eg culverts and tunnels) or structural members such as piles.
- Lateral spreading and flow failure of natural ground towards free surfaces such as river banks and of approach embankment slopes.
- Instability of the embankment due to liquefaction or cyclic softening of layers of soil underlying and adjacent to embankments.

6.3.4 Mitigation of liquefaction and site instability hazards

a. General

The design shall mitigate the risks associated with potential damage to the highway and associated structures from liquefaction, cyclic softening or site instability, through ground improvement or provision of sufficient strength or ductility in the structures to resist liquefaction and site instability effects. Such mitigation shall ensure that the performance requirements of 5.1.2 and 6.2.6 are achieved, unless agreed with the road controlling authority to be impractical or uneconomic.

b. Liquefaction mitigation by ground improvement

Measures to mitigate liquefaction hazard by ground improvement, such as using densification by dynamic compaction or vibroflotation, deep mixing, drainage, or combined densification and drainage using vibro-replacement or stone columns, shall be considered to reduce the risk to the highway from liquefaction of the soils. Where the ground is densified, testing shall be undertaken following construction to confirm that the required level of ground improvement has been achieved.

c. Foundations in liquefiable soils

Shallow foundations shall not be founded in liquefiable layers, or within a zone of thickness equivalent to twice the width of the footing, above liquefiable layers, or in any way where liquefaction will adversely affect the performance of the foundation. Additional reinforcement of the foundation subgrade shall be incorporated to minimise differential subsidence effects on the foundations.

Foundations below liquefiable layers shall be located to ensure that under liquefaction they continue to achieve acceptable performance and that the bearing capacity is not diminished or settlements increased to unacceptable levels. Piles shall be founded a minimum of three pile diameters below the base of soil layers prone to liquefaction. The reduction in pile lateral capacity, bearing or uplift capacity (such as due to reduction in pile shaft friction) shall be taken into consideration in the design.

d. Isolation of the structure from ground displacement

Where separation of the structure from the ground (eg by the sleeving of piers or piles) is adopted to isolate the structure from the effects of ground displacement the degree of separation provided shall be sufficient to protect the structure from the cumulative displacement effects of at least two successive design earthquake events.

6.3.5 Optimisation of ground improvement

Ground improvement is costly. Where liquefaction or cyclic softening problems are identified as potentially causing lateral spreads that may damage the structure, the following options should be considered:

- For new structures: relocate the structure to another less vulnerable site. This option should be considered at the concept design stage. If the risk of liquefaction or cyclic mobility is identified for a proposed route, alternative routes with better ground conditions at structure sites should be considered.
- For new and existing structures on liquefiable sites: soil-foundation structure interaction analysis should be undertaken to determine whether the deformation and load capacity of the foundation/structure system is adequate to accommodate the ground deformation demands and meet the performance criteria specified by 5.1.2 as well as the serviceability criteria specified by 6.2.6 (assuming no ground improvement); and where the foundation/structure system is found to be inadequate the most cost-efficient options of the two following options should be used:
 - foundation/structure system should be strengthened to accommodate the predicted liquefaction and related ground deformation demands
 - ground improvement should be undertaken to reduce liquefaction potential of soils and minimise ground displacement to acceptable levels.

This analysis will require close interaction between the structural and the geotechnical designers and shall be undertaken in accordance with ATC/MCEER *Liquefaction study report*⁽⁹⁾ guidelines or similar methodology approved by the road controlling authority.

Where ground improvement is specified by the structure designer, the road controlling authority will require the designer to submit evidence of ground improvement optimisation analysis in accordance with this methodology. For projects where the cost of ground improvement is more than \$1 million (price at December 2012^{*}), consideration should be given to the use of inelastic time history finite element analysis of soil-foundation structure interaction to optimise the extent of ground improvement.

For design and construct type projects on sites prone to liquefaction, cyclic mobility or lateral spreading, optimisation of ground improvement should be carried out at the stage of specimen design and clear requirements should be included in the principal's requirements for the project.

6.4 Design of earthworks

6.4.1 Design of embankments

a. Philosophy

The design of embankments shall be based on adequate site investigations and shall ensure acceptable performance of the embankment under gravity, live and earthquake loads, under flood and post-flood drawdown conditions, under conditions of changing groundwater levels and where water mains are present under the eventuality of them rupturing. Appropriate measures shall be specified to ensure that post-construction settlements will be within acceptable limits compatible with the performance expectations for the road. Such limits shall be agreed with the road controlling authority.

^{*} Values shall be adjusted to current value. For the relevant cost adjustment factor refer to the NZTA's *Procurement manual*, Procurement manual tools, Latest cost index values for infrastructure, table 1 Cost adjustment factors, part 2 – Construction⁽²⁾

6.4.1 continued

b. Static behaviour

Under static conditions (including appropriate live load surcharge) completed embankments shall have a minimum design long term factor of safety against all modes of failure of 1.5 based on moderately conservative effective stress soil strengths under moderately conservative design operating piezometric conditions. This shall apply unless specific justification for a lower value set out in the geotechnical report has been accepted by the road controlling authority.

A suitable monitoring programme shall be implemented by the designer to check embankment performance during and after construction. The designer shall specify acceptable limits for monitoring measurements.

During construction, embankments shall possess a minimum design static short term factor of safety against all modes of failure of 1.2 based on moderately conservative effective stress soil strengths or undrained shear strength parameters, under moderately conservative design operating piezometric conditions.

Where preloading, surcharging, staged loading, vertical drains or other techniques are required to permit construction of embankments or to accelerate settlement, a suitable monitoring programme shall be specified and the results shall be reviewed by the designer.

Factors of safety shall be calculated using loads and combinations for the serviceability limit state as specified in table 3.1.

c. Behaviour in seismic and flood events

Assessments shall be made of the potential for embankment materials and underlying foundation materials to lose strength during or after flooding or earthquake. The presence of liquefiable, collapsible, sensitive or erodible materials shall be determined by appropriate site investigations and testing. Where such materials are present, assessments shall be made of the risk presented by them and the feasibility and cost of eliminating or reducing risks and/or damage.

Unless it is accepted by the road controlling authority to be impractical or not economically viable to significantly reduce the risk of embankment failure due to earthquake or flooding, the following design criteria shall apply:

i. For seismic events

For the assessment of the stability of embankments using pseudo-static seismic analysis the peak ground acceleration to be applied shall be derived in accordance with 6.2 for the annual probability of exceedance associated with the importance of the slope as defined in 2.1.3. In applying the pseudo-static analysis, the PGA shall not be factored down by a structural performance factor or any other factor.

Where embankments are designed on the basis of permitting displacement under earthquake response, the requirements of 6.6.9 shall also be satisfied.

For the following situations the minimum factors of safety and supporting requirements shall be satisfied under the ultimate limit state earthquake event:

- Embankment stability not affecting bridges

In situations where liquefaction either does not occur or prior to liquefaction occurring:

Factor of safety ≥ 1.0 , or

Factor of safety < 1.0 and permanent displacements less than the limits given in table 6.4.

6.4.1 continued

- Embankment stability and liquefaction not affecting bridges

Where liquefaction is anticipated under the design seismic event, the design criteria for embankment stability not affecting bridges are to be met with post-liquefaction soil strengths and the embankment subjected to the design ultimate limit state PGA.

- Embankment stability affecting bridges

In situations where liquefaction either does not occur or prior to liquefaction occurring:

Factor of safety ≥ 1.0 ; and

- o The seismic performance requirements for structures as specified in this manual are met.

Where a factor of safety of 1.0 cannot be achieved, the bridge shall be either isolated from the ground movement or designed to withstand the loads and effects imposed on it by the ground movement so that the seismic performance of this manual are met.

- Embankment stability and liquefaction affecting bridges

Where liquefaction is anticipated under the design seismic event, the design criteria for embankment stability affecting bridges are to be met for either the factor of safety ≥ 1.0 or the factor of safety < 1.0 , whichever is appropriate, with post-liquefaction soil strengths and the embankment subjected to the design ultimate limit state PGA.

All displacements referred to in this item (i) should be assessed as described in 6.3.2.

- ii. For flood events

Where embankments may act as water retaining structures during flooding, the embankment shall remain stable under the lateral pressure and the ability of the embankment to sustain the effects of seepage and drawdown shall be examined. In such cases the embankment shall have a minimum factor of safety against failure of 1.25 unless there is potential for significant downstream damage or loss of life, in which case a minimum factor of safety of 1.5 shall apply. The *Dam safety guidelines*⁽¹⁰⁾ provides guidance on embankments that may act as water retaining structures.

Where lightweight embankments are constructed utilising geofabric materials (polystyrene or similar) a factor of safety of not less than 1.1 against flotation shall be provided under the ultimate limit state design flood event.

Factors of safety shall be calculated using loads and combinations for serviceability limit state as specified in table 3.1.

Adequate protection from erosion during flooding or from adjacent waterways shall be incorporated into the design of embankments.

Where it is not practical or economically justifiable to significantly reduce the risk of embankment failure due to earthquake or flooding, and the effect of such failure on the performance of the road network, considering the required levels of service and lifeline requirements, is acceptable to the road controlling authority, then the design may allow for failure to occur in such large events. In such cases the manner and extent of such failure shall be assessed and, where bridges are affected, the bridge structure and foundations shall be designed to accommodate the embankment failure without damage to the structure.

6.4.1 continued

Where it is proposed to accept failure of the embankment under the design earthquake, or under flood conditions, in order to adopt a factor of safety of less than specified above, justification for doing so shall be set out in a design statement for the road controlling authority's consideration and acceptance in writing, before the proposal is adopted.

d. Loadings on associated bridge structures

Earth pressure loadings, lateral loads due to ground deformation or displacement and negative friction effects on foundations that arise from the presence of the embankment shall be taken into account. Appropriate load factors shall be applied in accordance with 3.5.

6.4.2 Design of cuttings

Cuttings shall be designed in accordance with recognised current highway design practice with provision of benches, and appropriate measures to mitigate the effects of rock fall and minor slope failures. As appropriate, design shall generally comply with 6.4.1 and the factors of safety for embankments given in 6.4.1 shall also be applied to the global stability of cuttings. Slope geometry shall be designed to ensure that any slope failure material will not be deposited against or over any bridge or gantry structure. Where this is not practicable, provision shall be made in the design of these structures for additional dead load or earth pressure to represent the effect of slope failure material.

Where it is proposed to accept a significant risk of instability, justification for doing so shall be set out in the design statement for the road controlling authority's consideration and acceptance before the proposal is adopted.

Where cutting slopes are designed on the basis of permitting displacement under earthquake response, the requirements of 6.6.9 shall also be satisfied.

6.4.3 Natural ground instability

Where any structure or the highway can be affected by instability or creep of natural ground, measures shall be taken to isolate the structure or highway, remedy the instability, or design the structure or highway to accommodate displacements and loads arising from the natural ground. As appropriate, design shall generally comply with 6.4.1, and the factors of safety given in 6.4.1 shall be used.

Where slopes are designed on the basis of permitting displacement under earthquake response, the requirements of 6.6.9 shall also be satisfied.

6.5 Foundations

6.5.1 Loads on foundations

Foundations shall be designed for bearing capacity and stability to resist combined horizontal and vertical loadings with acceptable displacements and settlement. Consideration shall be given to the behaviour of the founding soils under static and dynamic loading and during construction.

Foundations shall be designed to resist loads that may arise from settlement or ground subsidence and associated negative friction (down-drag). Lateral loads associated with slope movements, lateral spreading and liquefaction shall be considered, although wherever practicable the designer shall isolate the structure and foundations from such forces.

6.5.1 continued

The effects of live load may normally be ignored in the evaluation of foundation settlement, except in special cases where the live load is sustained over long periods of time. The repetitive nature of live load shall be taken into consideration, where it has the potential to affect foundation performance.

6.5.2 Design standards

- a. Foundation design shall be based on appropriate sound design methods and shall satisfy the *Building code*⁽¹¹⁾.
- b. The following standards and codes of practice provide guidance on the design of foundations:
 - *Compliance document for New Zealand building code clause B1 Structure*⁽¹²⁾, Verification Method B1/VM4.
 - BS EN 1997-1 *Eurocode 7 Geotechnical design part 1 General rules*⁽¹³⁾, plus BS EN 1998-5 *Eurocode 8 Design of structures for earthquake resistance part 5 Foundations, retaining structures and geotechnical aspects*⁽¹⁴⁾.
 - CAN/CSA-S6 *Canadian highway bridge design code*⁽¹⁵⁾.
 - AASHTO *LRFD Bridge design specifications*⁽¹⁶⁾.
 - AS 2159 *Piling – Design and installation*⁽¹⁷⁾.
- c. The NZTA's *Bridge manual* shall take precedence where there is a conflict.

6.5.3 Strength reduction factors for foundation design

Strength reduction factors shall be applied in the strength design of foundations for their bearing capacity and resistance to sliding. The strength reduction factors for sliding of shallow foundations shall be derived from table 1 of B1/VM4⁽¹²⁾. The strength reduction factors for bearing capacity of shallow and pile foundations shall be derived using the risk based methodology set out in AS 2159⁽¹⁷⁾ section 4.3, and shall be presented in the structure design statement for acceptance by the road controlling authority.

The strength reduction factors adopted for bearing capacity of shallow foundations shall be taken as $\phi_g = \phi_{gbr}$, where ϕ_{gbr} is defined in AS 2159⁽¹⁷⁾ and shall not exceed a maximum value of $\phi_g = 0.6$ for all load combinations, excluding earthquake overstrength where higher strength reduction factors, up to $\phi_g = 0.75$, may be adopted.

Strength reduction factors adopted for bearing capacity of both shallow and piled foundations shall not exceed a maximum value of $\phi_g = 0.75$, regardless of whether static, dynamic, or gravitational loading, or seismic loading induced by overstrength capacities developing are being considered.

6.5.4 Capacity design of foundations

The principles of capacity design are outlined in section 5.

The foundations should not compromise the seismic performance of the superstructure (above foundation level structure). Increasing flexibility in the foundations generally has the effect of increasing the curvature ductility demand imposed on plastic hinges or the element ductility demand on elements such as mechanical energy dissipating devices in the superstructure and exceeding the capacity of these elements needs to be avoided.

The foundations must be capable of transmitting the largest feasible actions to the supporting soil, and the soils must be capable of resisting the pressures applied by the foundations, otherwise the intended seismic response of the superstructure cannot eventuate. For structures designed using capacity design principles, the capacity of the footings, piles or caissons shall be such that deformations developed in the supporting soil under actions corresponding to the over-strength of the superstructure are limited in terms of their magnitude, so that the intended seismic response of the superstructure can eventuate.

6.5.4 continued

In general, foundation systems shall be designed to preclude foundation failure, or uplift of an entire foundation element, at loadings corresponding to yielding of the earthquake energy dissipating elements, taking concurrency effects into account where applicable. Where it is intended to allow the rocking of foundations, inelastic time history analyses shall be performed to study the structure's behaviour as required by 5.4.8 and bearing areas within the foundation shall be so proportioned as to protect the soil against excessive plastic deformations that would be difficult to predict and which may result in premature misalignment of the otherwise undamaged superstructure.

Since there is greater uncertainty in the strength and stiffness properties of the ground, and their contribution to either increased loads or reduced resistance, as compared to other structural materials and depending on the case, it is not appropriate to use a single factored down strength for the soils and rocks. Upper and lower bound strength and stiffness properties of the soils shall be applied in order to assess the most adverse performance likely of the structure, which is to be adopted as the basis for its capacity design.

6.5.5 Foundation capacity determination

The load capacity of foundations shall be assessed using geotechnical parameters from geotechnical investigations and tests, and soil/rock mechanics theory or semi-empirical geotechnical methods. The ultimate capacity of foundations shall be assessed in accordance with the recommendations of the Verification Method B1/VM4 of the *Compliance document for New Zealand building code* clause B1 Structure⁽¹²⁾. The capacity shall be confirmed during construction as specified in 6.5.6.

6.5.6 Confirmation of foundation conditions during construction

The designer shall clearly state on the drawings and in the specifications, the foundation conditions assumed in the design, or ensure that the designer is consulted during construction to ensure that the design requirements are being met.

The foundation conditions shall always be verified during construction, against the ground conditions assumed in the design, as site investigations cannot fully define the actual ground conditions at each foundation. The designer shall specify measures to be used to verify the ground conditions.

Appropriate measures to confirm foundation conditions may comprise one or more of the following, depending on the particular situation:

- Inspection, logging and possibly testing of the ground by a geotechnical engineer or engineering geologist.
- Plate bearing tests.
- Static pile load tests.
- Pilot hole drilling and testing.
- Down-hole inspection of pile shaft, particularly in bedrock.
- Dynamic pile load tests.
- Pile capacity assessment based on pile driving analysis.

The Hiley formula has traditionally been used to confirm the pile capacities in cohesionless soils, by relating the pile driving energy and the pile set (displacement per hammer blow) to pile capacities. The limitations of this method are now recognised. A more sophisticated method involves analysis of the pile response to hammer driving, using a pile driving analyser. Usually the pile response data should be further interpreted using a signal matching program such as CAPWAP or similar. Such methods still have their limitations and these should be recognised by the designer.

6.5.6 continued

- Pile integrity tests to confirm the structural integrity of the pile, the relative shape of the pile shaft or the continuity of the pile.

Pile integrity tests shall be specified where the piles are not permanently cased and where there is a risk of collapse of the ground during construction of bored piles, particularly below the water table, or where there is significant potential for damage to the pile shaft during pile driving.

The type of pile integrity testing to be used shall be specified by the designer.

6.6 Earth retaining systems

6.6.1 General

a. Scope

This section covers:

- Non-integral bridge abutments (as compared with integral or semi-integral abutments defined in 4.8) and independent retaining walls associated with bridges. An abutment is defined as a substructure system that incorporates earth retaining members, and also supports part of the superstructure. Wing walls are part of the abutment if they are integral with it. Independent walls that are associated with bridges are defined as those walls that are not integral with the bridge abutment and which retain ground that provides support to bridge substructure elements and also walls that support approach fills at the bridge.
- Walls not associated with bridges.
- Earth retaining structures (eg mechanically stabilised walls and slopes).
- Slopes designed on the basis of undergoing displacement.

b. Loads, displacements and settlement

Earth retaining systems shall be designed to ensure overall stability, internal stability and bearing capacity under appropriate combinations of horizontal and vertical loads, with acceptable displacements and settlement.

The designer shall derive the design loads on the structure in accordance with 6.2, taking into consideration the flexibility and likely deformation of the structure, and the allowable displacement or deformation of the system. Careful consideration shall be given to the interaction between the structure, the ground and foundations, under static, dynamic, earthquake and construction conditions. The deformation and displacement of the structure shall be compatible with the performance requirements for the structure and its interaction with adjacent or supported structures and facilities. Earthquake displacement criteria are specified in 6.6.9.

The design of all types of retaining wall shall consider the effects of total and differential settlement and designs shall accommodate all resulting effects. In particular, movement gaps and other measures may be necessary to prevent structural damage or to prevent unsightly cracking or spalling.

c. Side protection

Where traffic barriers are positioned close to tops of earth retaining structures and can affect the performance of or apply additional load to the earth retaining structure, the earth retaining structure and its facing shall be designed to withstand the forces imposed on it by the design vehicle impact forces acting on the barrier.

6.6.1 continued

Road safety barriers shall not be fixed to the face of reinforced soil walls.

For walls greater than 1m in height, protection from falling shall be provided where required by the *Building code*⁽¹¹⁾. Means of compliance can be found in the *Compliance document for New Zealand building code*, clause F4, Safety from falling⁽¹⁸⁾.

6.6.2 Design standards

The following standards and codes of practice provide guidance on the design of retaining structures:

- Road Research Unit bulletin 84, volume 2⁽³⁾.
- BS EN 1997-1 *Eurocode 7 Geotechnical design part 1 General rules*⁽¹³⁾, plus BS EN 1998-5 *Eurocode 8 Design of structures for earthquake resistance part 5 Foundations, retaining structures and geotechnical aspects*⁽¹⁴⁾.
- AS 4678 *Earth-retaining structures*⁽¹⁹⁾.
- CAN/CSA-S6 *Canadian highway bridge design code*⁽¹⁵⁾.
- AASHTO *LRFD Bridge design specifications*⁽¹⁶⁾.
- FHWA NHI-99-025 *Earth retaining structures*⁽²⁰⁾.
- CIRIA C580 *Embedded retaining walls – guidance for economic design*⁽²¹⁾.

Road Research Unit bulletin 84⁽³⁾ shall be used in preference to the other documents, particularly for earthquake resistant design.

The NZTA's *Bridge manual* shall take precedence over all other documents.

6.6.3 Factors of safety

Free-standing retaining structures shall be designed using loads and combinations as specified in tables 3.1 and 3.2 and section 6.2. The strength reduction factor for sliding shall be derived from table 1 of B1/VM4⁽¹²⁾. The strength reduction factors for bearing capacity of retaining structure foundations shall be derived using the risk based methodology set out in AS 2159⁽¹⁷⁾ section 4.3, and shall be presented in the structure design statement for acceptance by the road controlling authority.

The strength reduction factors adopted for bearing capacity of retaining structure foundations shall be taken as $\phi_g = \phi_{gb}$, where ϕ_{gb} is defined in AS 2159⁽¹⁷⁾ and shall not exceed a maximum value of $\phi_g = 0.6$ for all load combinations, excluding earthquake overstrength where higher strength reduction factors, up to $\phi_g = 0.75$, may be adopted.

Strength reduction factors adopted for bearing capacity shall not exceed a maximum value of $\phi_g = 0.75$, regardless of whether static, dynamic, or gravitational loading, or seismic loading induced by overstrength capacities developing are being considered.

Potential deep-seated failure surfaces behind a retaining structure and extending below the toe of the retaining structure shall be analysed. Both circular arc and sliding wedge methods shall be used.

A number of slope stability analysis computer programs are available most of which use unfactored loads and soil parameters. Therefore, unfactored loads and soil parameters shall be used for the deep-seated failure analysis.

The minimum acceptable factors of safety against deep-seated failure shall be as follows:

- for static conditions: factor of safety = 1.5
- for seismic conditions: factor of safety = 1.25

If a retaining structure is designed for permanent displacement under earthquake loads, the above recommendations on the reduction factors and factors of safety will not apply. Requirements for structures designed for permanent displacement are specified in 6.6.9.

6.6.4 Common highway retaining structures

Different common retaining wall systems used for highway construction are listed in table 6.2.

Table 6.2: Retaining wall categories

Retaining wall category	Retaining wall systems
Gravity and reinforced concrete cantilever walls	<ul style="list-style-type: none"> • gravity walls (concrete, gabion, crib) • reinforced concrete cantilever walls
Anchored walls	<ul style="list-style-type: none"> • anchored gravity walls • anchored cantilever walls • anchored soldier pile walls
Mechanically stabilised earth (MSE) walls	<ul style="list-style-type: none"> • soil-nailed walls • reinforced soil walls <ul style="list-style-type: none"> – inextensible reinforcement – extensible reinforcement

MSE walls comprise reinforcement elements in the ground to stabilise the soil against failure. A wall face (eg reinforced concrete panels or blocks) connected to the reinforcement is generally provided.

MSE walls can be divided into two types:

- Soil-nailed walls, where the reinforcement is inserted into the ground, with top-down construction as excavation for the wall face proceeds.
- Reinforced soil walls, where the reinforcement is incorporated within fill as the fill is placed and compacted, to build the wall using bottom-up construction.

Specific requirements for different retaining wall systems in common use are specified in the following sections.

6.6.5 Gravity and reinforced concrete cantilever walls

Gravity and reinforced concrete cantilever walls are relatively rigid and are less tolerant of settlements. Therefore they shall be founded on an appropriate competent stratum to minimise settlements.

These walls may be designed to undergo limited sliding displacement under strong earthquake shaking as specified in 6.6.9.

6.6.6 Anchored walls

- a. Walls that are restrained using anchors are designed to transfer some of the loads on walls to the ground outside the zone of influence of the wall.

Anchors transfer the loads into the ground through:

- deadman structures
- grouting anchors into drilled holes
- mechanical systems.

- b. Anchors shall only be allowed to intrude into property outside the road reserve, if subsurface rights for the design life of the structure are obtained to prevent disturbance of the reinforced soil block by future subsurface (eg foundation, drainage) construction activities.

6.6.6 continued

- c. Anchored walls are generally rigid systems, and shall be designed to resist the full ground, groundwater and earthquakes forces on the walls. They shall not be designed to allow outward displacement by sliding in earthquakes or other conditions. An exception may be when the wall is anchored to a deadman that is designed to undergo limited displacement under strong earthquake shaking.
- d. Ground anchors shall generally be designed and installed in accordance with established design standards such as BS 8081 *Code of practice for ground anchors*⁽²²⁾, BS EN 1537 *Execution of special geotechnical work – ground anchors*⁽²³⁾ and FHWA-IF-99-015 *Ground anchors and anchored systems*⁽²⁴⁾, except as provided in this document.
- e. The anchor system shall be designed to ensure a ductile failure of the wall, under earthquake overloads as discussed in 6.6.9.
- f. The anchor system shall be corrosion protected to ensure its durability over the design working life of the structure.

Two classes of protection are provided for general use for anchors, as defined in table 6.3.

The class of corrosion protection shall be chosen based on the decision tree shown in figure 6.5.

In figure 6.5, a 'serious' consequence of failure shall arise when failure of the anchor and wall could:

- affect nearby buildings or other structures
- lead to closure of one or more lanes of the road causing major traffic disruption
- lead to disruption to a road that has a lifeline function
- lead to destabilisation of a landslide or slope that has experienced past instability.

In figure 6.5 'aggressive' shall be defined as where:

- the maximum pitting corrosion rate of unprotected steel is greater than 0.1mm/year or,
- soil resistivity is less than 2000ohm-cm or,
- pH of either the groundwater or soil is less than 5.0 or,
- total SO₃ in the soil is greater than 1% or,
- sulphates in groundwater is above 2500ppm, or
- chlorides in the groundwater are above 2000ppm.

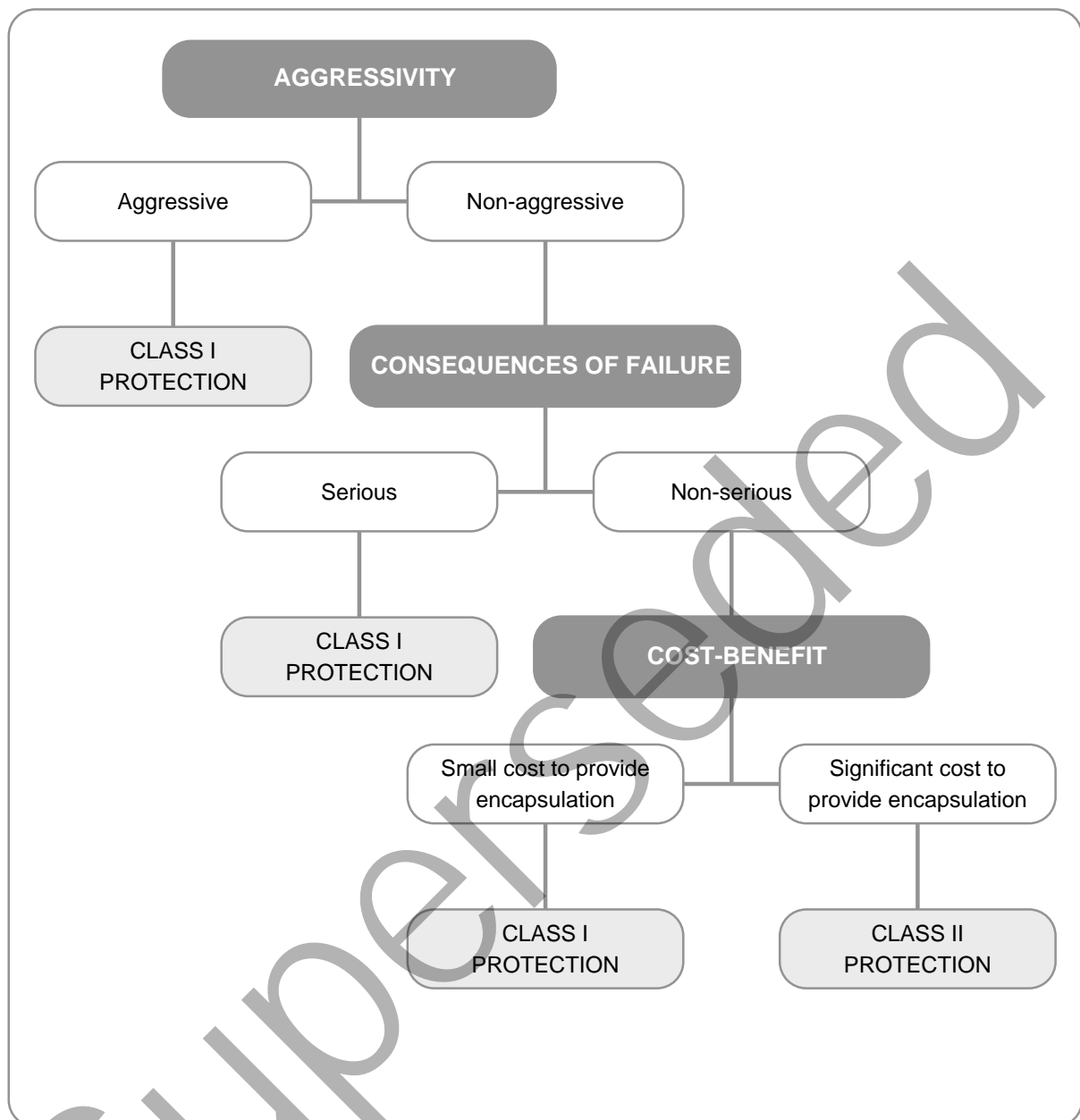
Table 6.3: Class of corrosion protection for anchors and soil nails

Class of protection	Corrosion protection standard
Class I	Double corrosion protection by encapsulation of the tendon or bar pre-grouted under factory conditions inside a corrugated plastic sheath to minimise crack widths in the pre-grouted grout as defined in BS 8081 ⁽²²⁾ . The whole assembly is grouted into the anchor hole.
Class II	Single corrosion protection using a galvanized (to AS/NZS 4680 ⁽²⁵⁾) or fusion bonded epoxy-coated (to ASTM A934 ⁽²⁶⁾ or ASTM D3963 ⁽²⁷⁾) bar grouted into the anchor hole.

Note :

A higher class of protection, such as using multiple sheaths, may be chosen, depending on the aggressiveness of the environment, the consequences of anchor failure and the importance of the structure.

Figure 6.5: Guide to selection of corrosion protection for ground anchors



6.6.6 continued

- g. Pull-out tests shall be specified to be carried out on trial anchors to be installed prior to the final wall anchors being constructed. The pull-out tests shall be used to confirm the design grout-ground bond strengths. The number of tests shall be chosen and specified by the designer based on the variability of the ground conditions and the number of anchors required.
- h. On-site suitability tests shall be carried out on a selected number of initially installed special anchors or production anchors in accordance with BS EN 1537⁽²³⁾ to confirm the performance of the anchors and their suitability to ensure performance of the wall. A small number of representative full-scale anchors shall be installed and tested to confirm the suitability and performance of the anchors, prior to installation of the remainder of the anchors.
- i. On-site acceptance tests shall be carried out on all anchors installed in accordance with BS EN 1537⁽²³⁾.
- j. The designer shall provide for future inspection, re-testing and replacement of the anchors supporting structures, if there is any reason for concern about their long-term performance. The long term monitoring and instrumentation should be carried out in accordance with FHWA-RD-97-130 *Design manual for permanent ground anchor walls*⁽²⁸⁾.

6.6.7 Soil-nailed walls

Soil-nailed walls shall be designed and constructed in accordance with appropriate design codes such as FHWA-SA-96-069R *Manual for the design and construction monitoring of soil nailed walls*⁽²⁹⁾, except as provided for in this *Bridge manual*.

Soil-nailed walls are acceptable subject to the following criteria:

- a. Soil nailing shall be carried out only on drained slopes free of groundwater, or with an adequate level of drainage to ensure that the facing and the soil-nailed block are fully drained.
- b. Soil-nailed walls shall not support abutments of bridges, except where it can be demonstrated that the deformation associated with mobilisation of the soil nail capacities, or any displacements associated with earthquakes can be tolerated or catered for in the design of the bridge structure.
- c. Overall limited block displacement in strong earthquakes may be allowed subject to the criteria in 6.6.9.
- d. Soil nails shall only be allowed to intrude into property outside the road reserve, if subsurface rights for the design life of the structure are obtained to prevent disturbance of the reinforced soil block by future subsurface (eg foundation, drainage) construction activities.
- e. The soil nail reinforcement shall be subject to the corrosion protection requirements specified in 6.6.6 for anchors.
- f. Pull-out tests shall be specified to be carried out on trial soil nails to be installed prior to the final wall anchors being constructed. The pull-out tests shall be used to confirm the design grout-ground bond strengths. The number of tests shall be chosen and specified by the designer based on the variability of the ground conditions and the number of anchors required.

6.6.7 continued

- g. On-site suitability tests shall be carried out on a selected number of production soil nails as per BS EN 1537⁽²³⁾ to confirm the performance of the soil nails and their suitability to ensure performance of the wall. A small number of representative full-scale soil nails shall be installed and tested to confirm the suitability and performance of the soil nails, prior to installation of the remainder of the soil nails.
- h. On-site acceptance tests shall be carried out in accordance with BS EN 1537⁽²³⁾ on at least 25% of all installed soil nails. A higher proportion of nails shall be tested if the ground conditions are variable and the consequences of failure are high.

The designer shall provide for future re-testing of the soil nails supporting structures, if there is any concern about their long-term performance.

6.6.8 Reinforced soil walls and slopes

Reinforced soil walls and slopes usually comprise either 'inextensible' (usually steel) or 'extensible' (usually geogrid) reinforcement. Reference should also be made to requirements with respect to earthquake design given in 6.6.9.

The following criteria shall be used in the design and construction of reinforced soil walls and slopes:

- a. Inextensible (steel) reinforcement shall be used for reinforced soil walls and slopes supporting bridge abutments or where limiting the deformation of the wall is critical due to the presence of adjacent structures. Geogrid reinforcement may be used, provided that the bridge abutment seat is supported on piles, and the design takes into account the expected deformation of the wall system.
- b. Design of geosynthetic-reinforced structures shall comply with appropriate design codes or manuals such as the recommendations of the NZTA research report 239 *Guidelines for design & construction of geosynthetic-reinforced soil structures in New Zealand*⁽³⁰⁾, except as otherwise provided in this manual.
- c. The long-term durability, strength and creep performance of the reinforcement, and the environmental conditions associated with the site, backfill and groundwater shall be considered in the selection and use of appropriate types of reinforcement and backfill.

In considering the rate of corrosion of the buried steel reinforcement, guidance may be obtained from AS/NZS 2041.1 *Buried corrugated metal structures part 1 Design methods*⁽³¹⁾, and from the New Zealand Heavy Engineering Research Association (HERA) report R4-133 *New Zealand steelwork corrosion and coatings guide*⁽³²⁾.

- d. Steel reinforcement shall have an adequate level of corrosion protection and/or sacrificial steel content to ensure the required performance over the design life of the structure.
- e. The strength of the connections between the soil reinforcement and the facing panels or blocks of reinforced soil walls shall exceed by a suitable margin the upper bound pull-out strength of the reinforcement through granular fill, or the post-yield over-strength capacity of the reinforcement, whichever is lower. Design shall ensure that brittle failures of the connections will not occur.
- f. Any capping blocks provided shall be adequately fixed in position to resist dislodgement due to earthquake actions or vandalism.

6.6.9 Design performance of earth retaining structures and slopes

a. Permanent displacement of walls and slopes in earthquakes

Retaining structures and slopes may be designed to remain elastic under the design earthquake load specified in 6.2.2 or to allow limited controlled permanent outward displacement under strong earthquake shaking.

Walls designed on the basis of permissible permanent outward displacement under strong earthquake shaking shall comply with all relevant recommendations of the Road Research Unit bulletin 84⁽³⁾.

The displacement likely at the design ultimate limit state seismic response, and under the MCE, shall be assessed using moderately conservative soil strengths consistent with the anticipated strain and a Newmark Sliding Block displacement approach. Displacements may be assessed using the methods described by Ambraseys and Srbulov⁽⁴⁾, or Jibson⁽⁵⁾ or as outlined in *Geotechnical earthquake engineering practice*⁽⁶⁾ using the relevant peak ground accelerations (see 6.2), and the distance to the dominant earthquake sources in the area. Where a Newmark sliding block method is applied, the 84th percentile displacement shall be derived for the ultimate limit state event and 50th percentile for the MCE. At least three different commonly accepted methods for the assessment of the displacement shall be used and the range of predicted displacements (rather than a single value) should be used in the design process.

It shall be noted that significant vertical accelerations shall be taken into consideration in the design of retaining structures. The energy and frequency content of earthquake shaking as well as the vertical earthquake motions (which tend to be high particularly in near field situations) have a significant effect on retaining wall performance in strong earthquakes. The effects of vertical shaking have been observed in recent earthquakes as well as in research sponsored by the Earthquake Commission Research Foundation (Brabhaharan et al, 2003⁽³³⁾). (Vertical accelerations of up to 2.2g were observed in the Christchurch earthquake of 22 February 2011.)

The uncertainty in the assessment of wall and slope displacements using peak ground accelerations shall be taken into consideration in the assessment of likely wall and slope displacements, although the peak ground acceleration based estimates remain the only quantitative estimation methods currently available.

In the design of retaining structures and slopes that are allowed limited permanent outward displacement in the design earthquake:

- i. The soil strength parameters used for assessment of sliding displacement shall be large strain soil strength parameters (and not peak strengths), consistent with large soil strains from the predicted displacements.
- ii. The probable ranges of soil parameters shall be considered when estimating the upper and lower bounds of threshold acceleration to cause wall or slope displacement.
- iii. Walls shall be proportioned to ensure sliding, rather than overturning or internal instability (in the case of MSE structures).
- iv. The expected displacement due to the design earthquake shall not encroach into minimum clearances from road carriageways and railway tracks or infringe property boundaries, or cause damage to services that may exacerbate movements or cause instability.

6.6.9 continued

- v. It shall be recognised that, in near-field situations, the vertical accelerations associated with strong earthquake shaking would lead to larger displacements than assessed using peak ground accelerations alone. The design shall cater for larger displacements than those predicted using horizontal peak ground accelerations alone, to account for the effect of vertical seismic accelerations.
- vi. The assessed likely displacements of the structure or slope that would arise from sliding due to the design earthquake shall not exceed the values given in table 6.4.

Table 6.4: Maximum allowable displacement

Wall and slope situation	Wall and slope type	Maximum displacement
Wall or slope supporting or containing bridge abutments or piers	All types	Refer to 6.6.9(b)
Walls or slopes above road level supporting structures within 2H of wall face at top of wall or bottom of the slope	All types	25mm
Walls or slopes supporting road carriageway with AADT \geq 2500	Rigid wall	100mm
	Flexible wall or slope capable of displacement without structural damage	150mm
Walls or slopes supporting road carriageway with AADT < 2500	Rigid wall	100mm
	Flexible wall or slope capable of displacing without structural damage	200mm

Notes:

1. H is the height of the retaining wall including the height of any slope above, or the height of the slope.
2. AADT is the annual average daily traffic count.
3. The designer shall ensure that the displacements will not cause damage to adjacent structures or services.

b. Walls and earth structures (including slopes) supporting abutments or piers

In locations of relatively lower seismicity with a hazard factor $Z < 0.3$, walls or earth retaining structures supporting abutments or piers shall be designed to prevent permanent displacement under the design earthquake load.

Subject to obtaining the agreement of the road controlling authority, in zones of higher seismicity ($Z \geq 0.3$), where the bridge abutment and superstructure can be designed to remain serviceable with limited abutment displacement and without damage to the bearings or piles, and can retain adequate allowance for temperature change, vibration etc, walls or earth retaining structures supporting abutments or piers may be designed on the basis of sustaining permanent displacement under the design ultimate limit state earthquake event subject to the limitations below. This shall be substantiated in the structure design statement, which shall include quantification of the damage due to the movements and the consequences for the use of the bridge and its permanent repair to full capacity for design loading and movements.

In zones of higher seismicity, the following absolute limits on displacement of the walls or earth retaining structures supporting abutment or pies shall not be exceeded:

- In locations with a hazard factor $0.3 \leq Z < 0.4$: vertical displacement shall not exceed 25mm and longitudinal and transverse horizontal displacements shall not exceed 50mm.

6.6.9 continued

- In locations with a hazard factor $Z \geq 0.4$: vertical displacement shall not exceed 40mm and longitudinal and transverse horizontal displacements shall not exceed 100mm.

These displacements limits shall apply to displacements determined in accordance with 6.3.2 and 6.6.9(a).

In addition:

- where the structure has non-integral abutments, the clearance between the abutment back wall and the end of the end span in the longitudinal direction shall be sufficient to accommodate the full ultimate limit state seismic movement of the bridge superstructure plus one third of the thermal movement, plus 200% of the assessed 84th percentile permanent abutment displacements. The abutment back wall shall be designed to accommodate reinstatement of the knock-off element at a position displaced further back from its original position by an amount of 200% of the abutment permanent displacement due to the design ultimate limit state earthquake event, without need to strengthen or reconstruct the abutment back wall. The same general principles shall be applied during consideration of the transverse earthquake loads.
- Where the bridge is supported by piles and columns at the abutments, the piles and columns shall be protected from displacement of the wall, earth retaining structure or slope, for example by use of a sleeve with adequate space to accommodate at least 200% of the assessed 84th percentile displacements. Alternatively the bridge shall be capable of withstanding the forces applied by soil translating past the piles and columns due to two sequential design earthquake events.

c. Gravity and reinforced concrete cantilever walls

Gravity and reinforced concrete cantilever walls may be designed so that either:

- the wall remains elastic and does not suffer any permanent displacement under the design earthquake load specified in 6.2.2 and 6.2.3, or
- limited permanent outward movement due to soil deformation is accepted (see 6.6.9(a)) and the wall is designed to avoid yielding of the structural elements wherever practicable. In this case provision shall be made to accommodate the calculated displacement with minimal damage, and without encroaching on clearances. Walls other than those supported on piles shall be proportioned to slide rather than rotate. Due account shall be taken of the probable range of soil strength when estimating the upper and lower bounds of the threshold acceleration to cause wall displacement. The resistance to overturning shall be greater than 1.25 times the overturning moment derived from the upper bound combination of forces that act to cause sliding.

d. Anchored walls

Anchored walls shall be designed to remain elastic under the seismic loading specified in 6.2.2 and 6.2.3. Consideration shall be given to the consequences of anchor and wall flexibilities under design conditions. Walls shall be detailed to ensure that under seismic overload, controlled displacement of the wall will occur through yielding of the anchor material, and sudden failure will be avoided. All anchors bars shall have ductile post-yield behaviour up to at least 5% strain.

Particular attention shall be given to the post-earthquake effectiveness of the anchor corrosion protection.

6.6.9 continued

e. Mechanically stabilised earth walls

The Road Research Unit bulletin 84⁽³⁾ provides a basis for the seismic design of MSE walls and shall be complied with. The NZTA research report 239⁽³⁰⁾ also provides guidelines for the seismic design of such walls.

Section 6.6.7 provides guidance on the design of soil-nailed walls and design codes such as FHWA-SA-96-069R⁽²⁹⁾ also provide guidance.

A wall required to avoid permanent displacement shall be designed to remain elastic and stable under the design loading specified in 6.2.2.

The connection strengths between the reinforcements and the facing shall be such that the failure under earthquake overload is always ductile, that is, by either pull out of the reinforcement through granular materials without loss of pull-out capacity with displacement, or by yielding or deformation of the reinforcement, and not by failure of the connections. The strength margin over connection failure shall be at least 1.3.

A wall intended to undergo permanent displacement shall be designed so that the outward movement results from block sliding of the reinforced block as a whole and not due to internal instability or pull out of the reinforcement.

Using strip reinforcement, under earthquake overload, deformation shall preferably be by pull out of the reinforcement strips or, where this is impractical, by ductile extension of the reinforcement strips.

Using grid reinforcement, particularly geogrids with closely spaced transverse members, under earthquake overload, any internal deformation shall be through ductile elongation of the reinforcement rather than pull out of the reinforcement through the soil.

Where design is for pull-out, the nominal strength of the connection between the reinforcement and the wall facing shall be at least twice the pull-out force calculated from the probable apparent coefficient of friction. Upper and lower bounds of the threshold acceleration required to produce incipient failure shall be calculated by considering the reinforcement acting both horizontally and along the failure surface and allowing for probable variations in the pull-out resistance and yield strength of the reinforcement. Stability shall be checked under the upper bound acceleration. Design displacements shall not encroach on required clearances.

6.7 Geofoam road embankments

Geofoam is any manufactured geosynthetic material produced by an internal expansion process that results in a material with a texture of numerous, closed, gas-filled cells using either a fixed plant or an in situ expansion process. Expanded polystyrene-block (EPS-block) geofoam is a material that is widely used as lightweight fill in road construction.

The following documents provide guidance on the design of geofoam applications on roading projects:

- *Guidelines for geofoam applications in slope stability projects*⁽³⁴⁾
- *Guideline and recommended standard for geofoam applications in highway embankments*⁽³⁵⁾
- *Geofoam applications in the design and construction of highway embankments*⁽³⁶⁾.

6.8 Geosynthetic soil reinforcement

6.8.1 Product approval

Geosynthetic soil reinforcement and systems employed in the reinforcement of soil structures (embankments, slopes, reinforced soil walls, etc) are relatively new materials with widely varying properties and a relatively limited history of application and proven performance.

Where geosynthetic soil reinforcement is proposed to be used, the specific geosynthetic reinforcement material and supplier shall be subject to the approval of the road controlling authority. Documentation to be submitted in support of an application for approval shall include the following:

- For geosynthetic reinforced soil wall (GRS) systems and their components (including geosynthetic reinforcement):
 - GRS system or component development and the year it was commercialised.
 - GRS system or component supplier organisational structure, engineering and construction support staff.
 - Limitations and disadvantages of the system or component.
 - A representative list of previous and current projects with the same application in areas with similar seismicity, as well as the names of the project owners, including names, addresses and telephone numbers of representatives of the owners who hold the authority to provide references on behalf of the owner.
 - Sample material and control specifications showing material type, quality, certification, test data, acceptance and rejection criteria and placement procedures.
 - A documented field construction manual.
 - Design calculations and drawings for the proposed application.
- For geosynthetic reinforcement, the following additional information is also required:
 - Polymer and additive composition of the geosynthetic material, including polymer and additive composition of any coating materials.
 - Past practical applications of the geosynthetic material use with descriptions and photos.
 - Limitations and disadvantages of the geosynthetic material.
 - Sample long-term design strength and interaction values, and index property specifications.
 - Laboratory test results documenting creep performance over a range of load levels, for a minimum duration of 10,000 hours.
 - Laboratory test results, along with a comprehensive literature review, documenting extrapolation of creep data to a 100-year design life.
 - Field and laboratory test results, along with a literature review, documenting reduction factors for installation damage.
 - Laboratory test results and extrapolation techniques, along with a comprehensive literature review, documenting chemical resistance of all material components of the geosynthetic and reduction factors for chemical degradation.
 - Susceptibility of the geosynthetic to degradation by hydrolysis, which may lead to premature failure.

6.8.1 continued

- Where a potential for biological degradation exists, laboratory test results, extrapolation techniques, along with a comprehensive literature review, documenting biological resistance of all material components of the geosynthetic and reduction factors for biological degradation.
- Laboratory test results documenting the test method and the value of short-term strength.
- Laboratory test results documenting joint (seams and connection) strength and values for reduction factor for joints and seams.
- Laboratory tests documenting long-term pullout interaction coefficients for the project site-specific soils.
- Laboratory tests documenting the direct sliding coefficients for various soil types or for the project site-specific soils.
- Robustness of the geosynthetic against damage during construction, including test results for use with similar reinforced fill materials as proposed, and adequate junction strength in the case of geogrids.
- The manufacturing quality control programme and data indicating minimum test requirements, test methods, test frequency etc. Minimum conformance requirements shall be indicated. Data shall be from a laboratory qualified and registered by IANZ for the testing. Data from an equivalent international laboratory may also be accepted, at the discretion of the road controlling authority.
- The reduction factors applied in the design. These shall be as recommended by the manufacturer/supplier (based on product-specific testing) or a combination of manufacturer/supplier recommended values and default values recommended by the NZTA research report 239⁽³⁰⁾.

The approval by the road controlling authority should include establishment of a set of index criteria for the purpose of quality assurance testing during construction (refer to 6.8.3).

6.8.2 Material Properties

The geosynthetic reinforcement shall be a regular network of integrally connected polymer tensile elements with aperture geometry sufficient to permit significant mechanical interlock with the surrounding soil or rock. The geosynthetic reinforcement structure shall be dimensionally stable and able to retain its geometry under construction stresses and shall have high resistance to damage during construction, to ultraviolet degradation, and to all forms of chemical and biological degradation encountered in the soil being reinforced. The geosynthetic reinforcement shall be sufficiently durable to ensure that it continues to fulfil its intended function throughout the design life of 100 years.

The geosynthetic reinforcement shall have a design tensile strength, pullout and direct shear parameters and other properties adequate to satisfy the performance requirements of earth structure in which it is being utilised.

The permeability of the geosynthetic reinforcement shall be greater than the permeability of the fill soil in which it is being placed.

6.8.3 Quality assurance and index properties

Testing procedures for measuring design properties require elaborate equipment, tedious set-up procedures and long durations for testing. These tests are inappropriate for quality assurance (QA) testing of geosynthetic reinforcements received on site. A series of index criteria shall be established for QA testing of geosynthetic reinforcement materials received on site during construction. These index criteria should include mechanical and geometric properties that directly impact the design strength and soil interaction behaviour of the geosynthetics.

6.9 References

- (1) Standards New Zealand NZS 1170.5:2004 *Structural design actions*. Part 5 Earthquake actions - New Zealand.
- (2) NZ Transport Agency (2010) *Procurement manual: for activities funded through the National Land Transport Programme*, Procurement manual tools, Latest values for 1991 infrastructure cost indexes. Last accessed 4 September 2014
<www.nzta.govt.nz/resources/procurement-manual/procurement-tools.html>.
- (3) Wood JH and Elms DG (1990) *Seismic design of bridge abutments and retaining walls*. Road Research Unit bulletin 84, volume 2. NZ Transport Agency, Wellington.
- (4) Ambraseys N and Srbulov M (1995) *Earthquake induced displacements of slopes*. Soil Dynamics and Earthquake Engineering volume 14.
- (5) Jibson RW (2007) *Regression models for estimating co-seismic landslide displacements*. Engineering Geology, 91.
- (6) New Zealand Geotechnical Society (2010) *Geotechnical earthquake engineering practice*, Module 1 - Guideline for the identification, assessment and mitigation of liquefaction hazards.
- (7) Ishihara K and Yoshimine M (1992) *Evaluation of settlements in sand deposits following liquefaction during earthquakes*. Soils and Foundations, vol.32, no.1, pp.173-188
- (8) Zhang G, Robertson PK, and Brachman RWI (2002) *Estimating liquefaction-induced ground settlements from CPT for level ground*. Canadian Geotechnical Journal, 2002, 39(5).
- (9) ATC/MCEER joint venture (2003) *Liquefaction study report. Recommended LRFD guidelines for the seismic design of highway bridges*. Report MCEER-03-SPO8. University at Buffalo, State University of New York, Buffalo, NY, USA.
- (10) New Zealand Society on Large Dams (2000) *Dam safety guidelines*. Wellington.
- (11) Parliamentary Counsel Office (1992) *Building Regulations 1992. Schedule 1 The building code*. Wellington.
- (12) Ministry of Business, Innovation & Employment (2014) *Compliance document for New Zealand building code*. Clause B1 Structure. Wellington.
- (13) British Standards Institution BS EN 1997-1:2004 *Eurocode 7 Geotechnical design part 1 General rules*.
- (14) British Standards Institution BS EN 1998-5:2004 *Eurocode 8 Design of structures for earthquake resistance part 5 Foundations, retaining structures and geotechnical aspects*.
- (15) Canadian Standards Association (2006) *CAN/CSA-S6-06 Canadian highway bridge design code*, and (2006) *S6.1-06 Commentary on CAN/CSA-S6-06 Canadian highway bridge design code*. (Note 2014 revision in prep.)
- (16) American Association of State Highway and Transportation Officials (2014) *LRFD Bridge design specifications, customary U.S. units, 7th edition*. Washington DC, USA.

- (17) Standards Australia AS 2159-2009 *Piling – Design and installation*.
- (18) Ministry of Business, Innovation & Employment (2007) *Compliance document for New Zealand building code*. Clause F4 Safety from falling. Wellington.
- (19) Standards Australia AS 4678-2002 *Earth-retaining structures*.
- (20) Munfakh GA, Samtami NC, Castelli RJ and Wang JN (1999) *Earth retaining structures*. Publication FHWA NHI-99-025, Federal Highway Administration of the US Department of Transport, Washington DC, USA.
- (21) Construction Industry Research and Information Association (2003) CIRIA C580 *Embedded retaining walls – guidance for economic design*. London, UK.
- (22) British Standards Institution BS 8081: 1989 *Code of practice for ground anchorages*.
- (23) British Standards Institution BS EN 1537:2013 *Execution of special geotechnical work – ground anchors*.
- (24) Federal Highway Administration (1999) *Ground anchors and anchored systems*. Geotechnical Engineering Circular 4, publication FHWA-IF-99-015, US Department of Transportation, Washington DC, USA.
- (25) Standards Australia and Standards New Zealand jointly AS/NZS 4680:2006 *Hot-dip galvanized (zinc) coatings on fabricated ferrous articles*.
- (26) ASTM A934/A934M-13 (2013) *Standard specification for epoxy-coated prefabricated steel reinforcing bars*. ASTM International, West Conshohocken, PA, USA.
- (27) ASTM D3963/D3963M-01 (2007) *Standard specification for fabrication and jobsite handling of epoxy coated steel reinforcing bars*. ASTM International, West Conshohocken, PA, USA.
- (28) Federal Highway Administration (1998) *Design manual for permanent ground anchor walls*. Publication FHWA-RD-97-130, US Department of Transportation, Washington DC, USA.
- (29) Federal Highway Administration (1998) *Manual for the design and construction monitoring of soil nailed walls*. Publication FHWA-SA-96-069R, US Department of Transportation, Washington DC, USA.
- (30) Murashev AK (2003) *Guidelines for design & construction of geosynthetic-reinforced soil structures in New Zealand*. Research report 239, NZ Transport Agency, Wellington.
- (31) Standards Australia and Standards New Zealand jointly AS/NZS 2041.1:2011 *Buried corrugated metal structures part 1 Design methods*.
- (32) New Zealand Heavy Engineering Research Association (2011) *New Zealand steelwork and corrosion coatings guide*. Report R4-133, Manukau City.
- (33) Brabhaharan P, Fairless GJ and Chapman HE (2003) *Effect of vertical earthquake shaking on displacement of earth retaining structures*. Proceedings of the Pacific conference on earthquake engineering, New Zealand Society for Earthquake Engineering, Christchurch.
- (34) National Cooperative Highway Research Program (2011) *Guidelines for geofoam applications in slope stability projects*. Final report for project no. 24-11(02), Transportation Research Board, Washington DC, USA.

- (35) National Cooperative Highway Research Program (2004) *Guideline and recommended standard for geofoam applications in highway embankments*. Report 529, Transportation Research Board, Washington DC, USA.
 - (36) National Cooperative Highway Research Program (2004) *Geofoam applications in the design and construction of highway embankments*. Web document 65 (Project 24-11), Transportation Research Board, Washington DC USA.
-

Superseded

Addendum 6A Table 6A.1

Table 6A.1: Unweighted peak ground acceleration coefficients, $C_{0,1000}$, corresponding to a 1000 year return at a subsoil Class A or B rock site and subsoil Class D or E deep or soft soil site, and effective magnitude, M_{eff} , for various return periods for New Zealand towns and cities

Note: For a Class C shallow soil site refer to note 1 at the end of the table.

Town/City	$C_{0,1000}$		Effective magnitudes (M_{eff}) for design return period (years)		Town/City	$C_{0,1000}$		Effective magnitudes (M_{eff}) for design return period (years)	
	Class A/B rock	Class D&E deep/ soft soil	500 - 2500	50 - 100		Class A/B rock	Class D&E deep/ soft soil	500 - 2500	50 - 100
Kaitiāia	0.12	0.15	5.75		Opotiki	0.40	0.44	6.1	
Paihia/Russell	0.13	0.16	5.75		Ruatoria	0.34	0.41	6.1	
Kaikohe	0.12	0.15	5.75		Murupara	0.42	0.41 ²	6.3	
Whangarei	0.13	0.16	5.8		Taupo	0.38	0.42	6.1	
Dargaville	0.13	0.16	5.8		Taumarunui	0.32	0.36	6.0	
Warkworth	0.13	0.17	5.9		Turangi	0.36	0.40	6.25	
Auckland	0.15	0.19	5.9		Gisborne	0.37	0.41	6.4	
Manakau City	0.17	0.21	5.9		Wairoa	0.35	0.41	6.5	
Waiuku	0.16	0.20	5.9		Waitara	0.27	0.32	6.0	
Pukekohe	0.18	0.22	5.9		New Plymouth	0.28	0.33	6.0	
Thames	0.26	0.30	5.8		Inglewood	0.27	0.32	6.1	
Paeroa	0.28	0.33	5.8		Stratford	0.27	0.32	6.2	
Waihi	0.29	0.34	5.9		Opunake	0.27	0.32	6.1	
Huntly	0.23	0.28	5.8		Hawera	0.26	0.32	6.2	
Ngaruawahia	0.23	0.27	5.8		Patea	0.27	0.34	6.2	
Morrinsville	0.27	0.32	5.8		Whanganui	0.31	0.37	6.0	
Te Aroha	0.29	0.34	5.9		Raetihi	0.35	0.37	6.2	
Tauranga	0.29	0.34	5.9		Ohakune	0.35	0.38	6.2	
Mount Maunganui	0.29	0.34	5.9		Waiouru	0.35	0.39	6.25	
Hamilton	0.24	0.28	5.9		Napier	0.41	0.43	6.9	6.2
Cambridge	0.26	0.32	5.9		Hastings	0.40	0.43	6.9	6.2
Te Awamutu	0.24	0.29	5.9		Waipawa	0.40	0.44	6.75	6.25
Matamata	0.27	0.34	5.9		Waipukurau	0.40	0.44	6.75	6.25
Te Puke	0.30	0.35	6.0		Taihape	0.35	0.41	6.3	
Putaruru	0.29	0.34	6.0		Marton	0.35	0.40	6.25	
Tokoroa	0.31	0.35	6.0		Bulls	0.36	0.41	6.3	
Otorohanga	0.25	0.27	5.9		Feilding	0.40	0.43	6.7	6.1
Te Kuiti	0.26	0.27	5.9		Palmerston North	0.42	0.44	6.9	6.1
Mangakino	0.31	0.36	6.0		Dannevirke	0.43	0.46	7.0	6.2
Rotorua	0.35	0.39	6.0		Woodville	0.44	0.46	7.0	6.2
Kawerau	0.41	0.43	6.2		Pahiatua	0.45	0.47	7.1	6.2
Whakatane	0.43	0.46	6.1		Masterton	0.50	0.45 ²	7.0	6.3

Table 6A.1: continued

Town/City	$C_{0,1000}$		Effective magnitudes (M_{eff}) for design return period (years)		Town/City	$C_{0,1000}$		Effective magnitudes (M_{eff}) for design return period (years)	
	Class A/B rock	Class D&E deep/ soft soil	500 - 2500	50 - 100		Class A/B rock	Class D&E deep/ soft soil	500 - 2500	50 - 100
Foxton	0.40	0.42	6.7	6.1	Christchurch ³	-	-	-	-
Levin	0.43	0.44	6.8	6.1	Akaroa ^{3,4}	-	-	5.8	6.25
Otaki	0.42	0.44	6.8	6.2	Ashburton	0.25	0.29	6.1	
Paraparaumu	0.42	0.44	6.9	6.2	Geraldine	0.25	0.28	6.0	
Wellington	0.44	0.45	7.1	6.2	Temuka	0.22	0.24	6.0	
Porirua	0.43	0.44	7.0	6.2	Fairlie	0.32	0.32	6.1	
Lower Hutt	0.45	0.45	7.1	6.2	Mt Cook	0.45	0.48	6.9	6.2
Upper Hutt	0.47	0.45 ²	7.1	6.25	Timaru	0.20	0.23	6.0	
Eastbourne - Point Howard	0.44	0.45	7.1	6.2	Waimate	0.20	0.24	6.0	
					Twizel	0.39	0.37 ²	6.1	
Wainuiomata	0.47	0.44 ²	7.1	6.2	Wanaka	0.39	0.42	6.1	
Takaka	0.42	0.46	5.8		Cromwell	0.33	0.37	6.25	
Motueka	0.42	0.46	5.9		Alexandra	0.29	0.32	6.3	
Nelson	0.40	0.43	6.1		Arrowtown	0.39	0.42	6.4	
Picton	0.35	0.38	6.6	6.1	Queenstown	0.40	0.42	6.5	
Blenheim	0.40	0.42	6.75	6.1	Milford Sound	0.62	0.62	7.1	6.1
St Arnaud	0.46	0.48	6.9	6.1	Oamaru	0.22	0.24	6.0	
Westport	0.54	0.52 ²	5.7		Palmerston	0.22	0.25	6.0	
Reefton	0.53	0.56	6.0		Mosgiel	0.23	0.26	6.0	
Murchison	0.51	0.54	6.2		Dunedin	0.22	0.25	6.0	
Hanmer Springs	0.55	0.53 ²	7.0	6.5	Te Anau	0.43	0.42 ²	6.4	
Kaikoura	0.55	0.53 ²	6.7	6.1	Riverton	0.26	0.30	6.2	
Cheviot	0.43	0.42 ²	6.6		Winton	0.26	0.28	6.2	
Greymouth	0.50	0.50	6.5		Gore	0.26	0.27	6.2	
Hokitika	0.52	0.54	6.75	6.3	Mataura	0.24	0.26	6.1	
Arthurs Pass	0.65	0.62 ²	7.0	6.3	Balclutha	0.22	0.24	6.0	
Otira	0.65	0.60 ²	7.1	6.4	Invercargill	0.21	0.26	6.1	
Darfield ³	0.40	0.37 ²	6.25		Bluff	0.20	0.24	6.1	
Rangiora ³	0.37	0.38	6.4		Oban	0.19	0.23	6.1	

Notes:

1. Shallow soil PGAs are determined from the rock values by multiplying by 1.33.
2. The deep soil PGAs are less than the rock values at some high-hazard locations because of nonlinear site-response effects built into the modelling.
3. The Canterbury earthquake region values are to be determined from a new seismic hazard model for the region in 2014.
4. The M_{eff} decreases with return period for Akaroa because its estimated hazard has a larger contribution from the Alpine Fault at low acceleration values which is replaced by contributions from local earthquakes as the PGAs increase.
5. M_{eff} values given in this table may vary slightly from those derived from the maps as they have been assessed conservatively to apply across a range of return periods.

7.0 Evaluation of bridges and culverts

In this section	Section	Page
	7.1 Introduction	7-2
	7.2 Inspection and dynamic load factors	7-5
	7.3 Material strengths	7-6
	7.4 Main member capacity and evaluation	7-11
	7.5 Deck capacity and evaluation	7-18
	7.6 Proof loading	7-24
	7.7 References	7-28
	Addendum 7A Guidance note – Estimating the characteristic strength of a group of reinforcing bars	7-29

7.1 Introduction

7.1.1 General

a. Objective

The objective of evaluation of an existing bridge or culvert is to obtain parameters which define its load carrying capacity. Two parameters are required – one for main members and one for the deck.

The overall procedure is summarised in 7.1.5. The process shall take account of the actual condition of the structure and the characteristics of the traffic and other loads. If at some future date any of the conditions change significantly, the structure shall be re-evaluated accordingly.

b. Rating and posting

Evaluation may be carried out at four load levels (see definitions in 7.1.2):

- Rating evaluation

Rating parameters define the bridge capacity using overload load factors or stress levels that are appropriate for overweight vehicles.

- Posting evaluation

Posting parameters define the bridge capacity using live load factors or stress levels that are appropriate for Class 1 conforming vehicles.

- HPMV evaluation

HPMV evaluation defines the bridge capacity under the effects of high-productivity motor vehicle (HPMV) conforming vehicles using the same live load factors or stress levels as posting.

- 50MAX evaluation

50MAX evaluation defines the bridge capacity under the effects of 50MAX conforming vehicles using the same live load factors or stress levels as posting.

Because much of the procedure is identical for these types of evaluation, the criteria are presented together and where appropriate, the different procedures are set out side by side on the page.

c. Culverts

Culverts shall be treated on the same basis as bridges, except that further evaluation of a culvert is not required, provided the following apply:

- it has a span less than 2m, and
- it has more than 1m of fill over it, and
- it is undamaged, and
- there are no unusual circumstances.

For most culverts, evaluation of the top slab as a deck will be sufficient.

7.1.2 Definitions

Class 1 conforming vehicle:	A vehicle that is loaded to the general mass limits set out for heavy motor vehicles in part A of schedule 2 in the Land Transport Rule: Vehicle Dimensions and Mass 2002 ⁽¹⁾ and is thus able to travel on Class 1 roads as defined in section 3: <i>Classification of roads</i> of the Heavy Motor Vehicle Regulations 1974 ⁽²⁾ without restriction.
-----------------------------	--

7.1.2 continued

50MAX conforming vehicle:	A proforma vehicle that is loaded to the general mass limits set out for heavy motor vehicles in part A of schedule 2 in the Land Transport Rule: Vehicle Dimensions and Mass 2002 ⁽¹⁾ , but with table 6 thereof amended to allow a vehicle mass varying linearly between 44,000kg at 16.5m wheelbase to a maximum of 50,000kg at 20.0m wheelbase. This is a variant high-productivity motor vehicle.
50MAX evaluation load:	<p>A load consisting of 50MAX conforming vehicles in some or all load lanes on the bridge, taken to be:</p> <ul style="list-style-type: none"> • for loaded lengths up to and including 25m: 0.85HN, including dynamic load factors, and • for loaded lengths greater than 25m: 0.90HN, including dynamic load factors. <p>See 7.4.4 for further details.</p>
HPMV conforming vehicle:	A vehicle carrying a divisible load that is loaded to the mass limits set out for high-productivity motor vehicles (HPMVs) in part B of schedule 2 in the Land Transport Rule: Vehicle Dimensions and Mass 2002 ⁽¹⁾ .
HPMV evaluation load:	<p>A load consisting of HPMV conforming vehicles in some or all load lanes on the bridge, taken to be:</p> <ul style="list-style-type: none"> • for loaded lengths up to and including 25m: 0.90HN, including dynamic load factors, and • for loaded lengths greater than 25m: 0.95HN, including dynamic load factors. <p>See 7.4.4 for further details.</p>
Live load capacity:	The section capacity, in terms of the net unfactored service load, of a critical member or group of members at load factors, or stress limits appropriate to conforming vehicles. See 7.4.2.
Load lane:	Lanes used for the positioning of elements of live loading on the bridge. The number of load lanes shall generally equal the number of marked lanes on the bridge. See 7.4.4 for further details.
Loaded length:	The length over which loads may be applied. See 7.4.4 for further details.
Overload capacity:	The section capacity, in terms of the net unfactored service load, of a critical member or group of members at load factors, or stress limits appropriate to overweight vehicles. See 7.4.2.
Overweight vehicle:	A vehicle carrying an indivisible load that exceeds the load limits set out in the Land Transport Rule: Vehicle Dimensions and Mass 2002 ⁽¹⁾ and therefore requires an overweight permit.
Posting:	The proportion of the Class 1 posting load which the bridge can withstand under live load criteria. It is expressed as a percentage of Class 1 for main members and as a specific axle load for decks.
Posting load:	A load consisting of Class 1 conforming vehicles in some or all load lanes on the bridge, taken to be 0.85HN, including dynamic load factors. See 7.4.4 for further details.

7.1.2 continued	<p>Rating: The proportion of the rating load which the bridge can withstand under overload criteria. It is expressed as a percentage, defined as the class for main members, and an alphabetic symbol defined as the grade for decks.</p> <p>Rating load: A load consisting of one lane containing an overweight vehicle loaded to the maximum which would be allowed to cross a Class 100 Grade A bridge unsupervised, as set out in the <i>Overweight permit manual</i>⁽³⁾ (taken as 0.85HO), plus, where critical, some or all other load lanes on the bridge loaded with HPMV evaluation load including dynamic load factors. See 7.4.4 for further details.</p>
-----------------	---

7.1.3 Rating requirements

- a. These requirements apply to all bridges on roads controlled by authorities participating in the NZ Transport Agency's (NZTA) policy for overweight permits as set out in the *Overweight permit manual*⁽³⁾. This requires an inventory of structural capacity for overload to be maintained for each bridge. This is expressed as the rating, defined in 7.1.2. By comparing a specific overweight vehicle with the rating load, and use of the bridge rating, an estimate of the effect of the vehicle on the bridge can be made, as described in the *Overweight permit manual*⁽³⁾.
- In the case of state highways and some of the major alternative routes, the inventory is in the form of basic moment and shear, or other capacities of bridge members stored in the overweight permit system (OPermit)⁽⁴⁾. This enables the effects of a specific overweight vehicle on any bridge to be determined more accurately than by use of the rating alone.
- b. The procedures set out in section 7 are intended to be used for existing bridges which require evaluation. New bridges designed to HN-HO-72, and fully complying with the design requirements of this document, also require rating and the methods could be used for this. However, unless rating information is readily available, or there are unusual circumstances, all new bridges shall be evaluated on their design capacities. Since the rating load is 0.85 times the design load, the class is $100/0.85 =$ (say) 120%, and the grade is A. Capacities entered into OPermit should be the design values of HO or HO + HN moment, shear or other parameters as appropriate, with dynamic load factors and eccentricity.

7.1.4 Posting requirements

If a bridge has insufficient capacity to sustain loads up to the maximum allowed for heavy motor vehicles by the general mass limits specified in part A of schedule 2 of the Land Transport Rule: Vehicle Dimensions and Mass 2002⁽¹⁾ at normal live load factors or stress levels, or at higher stress levels as permitted by 7.4.3, it is required to be posted with a notice showing its allowable load, or posting, as defined in 7.1.2.

Posting of a bridge shall comply with section 11: *Protection of bridges* of the Heavy Motor Vehicle Regulations 1974⁽²⁾.

7.1.5 Evaluation procedure

The steps necessary for a full evaluation, either for rating or posting, are shown in table 7.1. Details of each step will be found in the clauses referenced.

The evaluation of bridges for their capacity for HPMVs and 50MAX vehicles shall adopt the same procedure as for a posting evaluation.

Table 7.1: Evaluation procedure

Step 1	Carry out site inspection (7.2.1).		
Step 2	Determine appropriate material strengths (7.3).		
Step 3	Identify critical section(s) of the main supporting members and the critical effect(s) on them (7.4.1).		
Step 4	Determine the overload capacity and/or the live load capacity at each critical main member section (7.4.2).		
Step 5	If rating is being done manually: <ul style="list-style-type: none"> Analyse the structure for effects of rating or posting load at each critical section (7.4.4). 	If data is to be entered into OPermit: <ul style="list-style-type: none"> Follow the requirements for main member element data in the <i>OPermit bridge structural data guide</i>⁽⁴⁾ (7.4.7). 	
Step 6	Determine rating or posting (7.4.6).		
Step 7	Concrete deck: <ul style="list-style-type: none"> Determine if the criteria for empirical design based on assumed membrane action are satisfied (7.5.2). Determine if the simplified evaluation method is applicable (7.5.3(a)). 	Timber deck	
Step 8	If simplified method is applicable: <ul style="list-style-type: none"> determine ultimate wheel load (7.5.3(b)). 	If simplified method is not applicable: <ul style="list-style-type: none"> determine section capacity per unit width at critical locations in slab (7.5.4(a)). 	Determine section capacity of the nominal width of deck considered to carry one axle (7.5.5(a)).
Step 9		Analyse the deck for rating or posting loads (7.5.4(b)).	Determine moments due to rating or posting axle loads (7.5.5(b)).
Step 10	Determine deck capacity factor (DCF) and/or allowable axle load. (7.5.3(c))	(7.5.4(c))	(7.5.5(c))
Step 11	If data is to be entered into OPermit, follow the requirements for deck element data in the <i>OPermit bridge structural data guide</i> ⁽⁴⁾ .		

7.2 Inspection and dynamic load factors

7.2.1 Inspection

Appropriate inspection shall be carried out as a part of the evaluation of the load carrying capacity of any bridge. This is required to determine member condition and to verify dimensions. Where necessary, the extent of corrosion or decay shall be determined by physical measurement.

The following significant characteristics of the carriageway and traffic shall be assessed:

- position of lane markings
- roughness of deck and approaches
- mean speed of heavy traffic
- heavy traffic type and proportion of the total vehicle count.

7.2.2 Dynamic load factors

Appropriate dynamic load factors shall be determined for the various bridge members. Each value shall be:

- either the design value from 3.2.5 or in the case of timber elements from 4.4.2, or
- a value derived from site measurements.

A measured value shall be used if the design value is considered to be unrealistic.

7.2.2 continued

Dynamic measurements shall be made under heavy loads which are representative of actual traffic, in terms of both mass and speed, at either rating load level or posting load level or both. A sufficient number of vehicles shall be included to give confidence in the statistical values chosen.

The dynamic load values derived shall be those which are exceeded by less than 5% of vehicles in either category.

For posting, HPMV and 50MAX evaluation, a reduced dynamic load factor may be used in the following instances:

- NZ Transport Agency state highways - as per posted speed limit
- other roads - as per posted speed limit, or as specified within the 50MAX or HPMV permit where the vehicle speed is restricted.

The dynamic load factor may be reduced as follows:

Speed	Dynamic load factor
30km/h	$(I - 1) \times 0.67 + 1$
10km/h	$(I - 1) \times 0.33 + 1$

Where **I** is the dynamic load factor appropriate for unrestricted heavy traffic.

7.3 Material strengths

Material strengths for calculation of section capacity shall be determined as described below. The strengths used shall be characteristic values as defined in the relevant material code, or as determined in 7.3.6. Where testing is undertaken a laboratory with IANZ accreditation for the test being undertaken or other appropriate agency shall be used. The basis of the material strengths used for determining section capacity shall be clearly stated in the evaluation calculations or any accompanying report.

7.3.1 Concrete

Concrete compressive strength shall be determined by one of the following methods:

- From drawings, specification or other construction records.
- From the following nominal historical values:

Construction date	Concrete type	Specified strength (MPa)
Up to 1932	Reinforced	14
1933 to 1940	Reinforced	17
1941 to 1970	Reinforced	21
1971 and later	Reinforced	25
1953 and later	Prestressed	34

- From cores cut from the bridge.

Cores shall be taken from areas of low stress, in the members being analysed, and so as to avoid reinforcing and prestressing steel. Cutting and testing shall be in accordance with NZS 3112.2 *Methods of test for concrete part 2 Tests relating to the determination of strength of concrete*⁽⁵⁾.

7.3.1 continued

Where core tests are carried out, the statistical analysis described in 7.3.6 shall be applied to determine the compressive strength value to be used in calculations.

7.3.2 Steel reinforcement

The characteristic yield strength of reinforcement shall be determined by one of the following methods. It should be noted that if the steel is of unusually high strength, sections may in fact be over-reinforced and the restriction referred to in 7.4.5(a) shall apply:

- a. From drawings, specification or other construction records.
- b. From the following nominal historical values:

Construction date	Characteristic yield strength (MPa)
Up to 1932	210
1933 to 1966	250
1967 and later	275

- c. From tensile tests of bar samples of appropriate diameter removed from the bridge members being analysed. Testing shall be in accordance with BS EN ISO 6892-1 *Metallic materials Tensile testing part 1 Method of test at ambient temperature*⁽⁶⁾.
- d. From non-destructive tests of bars of appropriate diameter in situ, after removal of cover concrete. The method used shall have been authenticated by correlation with tests in accordance with BS EN ISO 6892-1⁽⁶⁾.

Test locations shall be on the members being analysed, chosen so as to be unaffected by bends or welded splices in bars.

Where testing is performed as in (c) or (d), the statistical analysis described in 7.3.6 shall be applied to determine the characteristic value to be used in calculations. A separate analysis shall be performed for each bar diameter.

7.3.3 Prestressing steel

The characteristic yield strength or the 0.2% proof stress of prestressing steel shall be determined by one of the following methods:

- a. From drawings, specification or other construction records.
- b. From the lowest alternative value specified in BS 5896 *Specification for high tensile steel wire and strand for the prestressing of concrete*⁽⁷⁾ for the wire or strand diameter.

7.3.4 Structural steel

The characteristic yield strength of structural steel shall be determined by one of the following methods:

- a. From drawings, specification or other construction records.
- b. From the following nominal historical values:

Construction date	Characteristic yield strength (MPa)
Up to 1940	210
1941 and later	230

- c. From tensile tests of coupons removed from the members being analysed, in areas of low stress. Testing shall be in accordance with BS EN ISO 6892-1⁽⁶⁾.
- d. From non-destructive tests of the steel in situ.

7.3.4 continued

Where testing is performed as in (c) or (d), the statistical analysis described in 7.3.6 shall be applied to determine the characteristic value to be used in calculations.

7.3.5 Timber

Characteristic stresses shall be in accordance with NZS 3603 *Timber structures standard*⁽⁸⁾, or where applicable, AS 1720.2 *Timber structures part 2 Timber properties*⁽⁹⁾ and AS/NZS 2878 *Timber – Classification into strength groups*⁽¹⁰⁾. Where the species of timber is unknown, it may be determined by removing 10mm diameter core samples from the bridge and submitting them for expert analysis.

Characteristic stresses shall be based either on the lowest grading of any member in the bridge, or on the actual grading of each timber member, according to the visual grading rules of NZS 3631 *New Zealand timber grading rules*⁽¹¹⁾ or where applicable, AS 3818.6 *Timber – Heavy structural products – Visually graded part 6 Decking for wharves and bridges*⁽¹²⁾, AS 3818.7 *Timber – Heavy structural products – Visually graded part 7 Large cross-section sawn hardwood engineering timbers*⁽¹³⁾ or AS 2858 *Timber – Softwood – Visually stress-graded for structural purposes*⁽¹⁴⁾. The moisture content shall be determined from core samples cut from the bridge.

Characteristic stress/strength modification factors shall comply with the applicable standard NZS 3603⁽⁸⁾ or AS 1720.1 *Timber structures part 1 Design methods*⁽¹⁵⁾, except as modified by 4.4.2.

Determination of design stresses for timber is discussed in *Strength and durability of timber bridges*⁽¹⁶⁾.

7.3.6 Analysis of test results

In order to obtain characteristic strength values for calculation purposes, results of steel and concrete tests shall be analysed statistically. Each test result shall be the mean of tests on at least two samples taken from one location in the structure or the mean of two (or more as required by specific test procedures) non-destructive tests from one location on a bar or member. For analysis, a group of test results shall originate from similar members or from identical bar diameters as appropriate. Tests shall be taken at sufficient locations to ensure that results are representative of the whole structure, or the entire group of similar members, as appropriate.

When assessing how representative the test results are, consideration should be given to the spread and amount of sampling across the structural members being considered, and should take into account the possibility that materials in different spans may have been produced in different batches. Where possible, non-destructive testing should be carried out on the most critical members.

a. Estimating characteristic strength of materials functioning individually

An acceptable method of analysis to determine the characteristic strength of materials acting individually, such as concrete compressive strength, or the yield strength of individual reinforcing bars, is:

$$f_{\text{individual}} = \bar{X} - ks$$

Where:

$f_{\text{individual}}$ = the characteristic strength of the individual material

\bar{X} = the mean of the group of test results

k = a one-sided tolerance limit factor

s = the standard deviation of the test results

k shall be determined on the basis that at least a proportion (P) of the population will be greater than the value calculated, with a confidence (α).

7.3.6 continued

Values of k for various values of (P), (α) and (n) the number of test results, are given in table 7.2.

It is recommended that for structural and reinforcing steel, (P) and (α) should both be 0.95 and that for concrete, (P) and (α) should both be 0.90.

b. Estimating characteristic strength of a group of reinforcing bars

This methodology is based on the principle that the average strength of a group of bars has a lower standard deviation than the strength of an individual bar. It may be suitable for reinforcing bars functioning as a group, such as tensile reinforcement located within a reinforced concrete beam. It is reliant upon a small amount of ductility within the reinforcement, as individual bars may reach yield strength prior to the characteristic strength of the group of bars being reached.

$$f_{group} = \bar{X} - \frac{ks}{\sqrt{N}}$$

Where:

f_{group} = the characteristic yield strength (stress) of the group (MPa)

\bar{X} = the mean yield strength (stress) of a series of tests (MPa)

k = a one-sided tolerance limit factor

s = the sample standard deviation of yield strength from the series of tests

N = the number of bars functioning as a group (ie in tension) at the location of the member being assessed

Values of k for various values of (P), (α) and (n) the number of test results, are given in table 7.2. The values of (P) and (α) shall be in accordance with method (a).

This approach may not be suitable for shear reinforcement where the number of individual bars contributing to shear resistance at a section is likely to be small, and the assumption of independence of the reinforcing bars may not be appropriate.

The application of this approach to specific strength evaluations requires the professional judgement of a suitably experienced structural engineer, and must be considered on a case-by-case basis. In applying this approach the engineer shall be satisfied that tests have been taken at sufficient locations to represent the member being evaluated, or the entire group of similar members, as appropriate, including making due allowance for any anomalies in the test results and any significant variations between different members. Where these conditions cannot be satisfied, method (a) shall be used.

The background to this approach is provided in addendum 7A.

Table 7.2: One-sided tolerance limit factors for a normal distribution

Values of k for $\alpha = 0.90$					Values of k for $\alpha = 0.95$				
$n \backslash P$	0.900	0.950	0.990	0.999	$n \backslash P$	0.900	0.950	0.990	0.999
2	10.253	13.090	18.500	24.582	2	20.581	26.260	37.094	49.276
3	4.258	5.310	7.340	9.651	3	6.156	7.655	10.552	13.857
4	3.187	3.957	5.437	7.128	4	4.163	5.145	7.042	9.215
5	2.742	3.400	4.666	6.112	5	3.407	4.202	5.741	7.501
6	2.494	3.091	4.242	5.556	6	3.006	3.707	5.062	6.612
7	2.333	2.894	3.972	5.201	7	2.755	3.399	4.641	6.061
8	2.219	2.755	3.783	4.955	8	2.582	3.188	4.353	5.686
9	2.133	2.649	3.641	4.772	9	2.454	3.031	4.143	5.414
10	2.065	2.568	3.532	4.629	10	2.355	2.911	3.981	5.203
11	2.012	2.503	3.444	4.515	11	2.275	2.815	3.852	5.036
12	1.966	2.448	3.371	4.420	12	2.210	2.736	3.747	4.900
13	1.928	2.403	3.310	4.341	13	2.155	2.670	3.659	4.787
14	1.895	2.363	3.257	4.274	14	2.108	2.614	3.585	4.690
15	1.866	2.329	3.212	4.215	15	2.068	2.566	3.520	4.607
16	1.842	2.299	3.172	4.164	16	2.032	2.523	3.463	4.534
17	1.820	2.272	3.136	4.118	17	2.001	2.486	3.415	4.471
18	1.800	2.249	3.106	4.078	18	1.974	2.453	3.370	4.415
19	1.781	2.228	3.078	4.041	19	1.949	2.423	3.331	4.364
20	1.765	2.208	3.052	4.009	20	1.926	2.396	3.295	4.319
21	1.750	2.190	3.028	3.979	21	1.905	2.371	3.262	4.276
22	1.736	2.174	3.007	3.952	22	1.887	2.350	3.233	4.238
23	1.724	2.159	2.987	3.927	23	1.869	2.329	3.206	4.204
24	1.712	2.145	2.969	3.904	24	1.853	2.309	3.181	4.171
25	1.702	2.132	2.952	3.882	25	1.838	2.292	3.158	4.143
30	1.657	2.080	2.884	3.794	30	1.778	2.220	3.064	4.022
35	1.623	2.041	2.833	3.730	35	1.732	2.166	2.994	3.934
40	1.598	2.010	2.793	3.679	40	1.697	2.126	2.941	3.866
45	1.577	1.986	2.762	3.638	45	1.669	2.092	2.897	3.811
50	1.560	1.965	2.735	3.604	50	1.646	2.065	2.863	3.766

Adapted from *Tables for one-sided statistical tolerance limits*⁽¹⁷⁾.

7.4 Main member capacity and evaluation

7.4.1 General

The bridge overload and/or live load capacity shall be determined in terms of the net unfactored service load at the critical section of any member or group of identical members which could be critical under any live loading. The capacity of a member may be in any terms, ie moment, shear, torsion, direct force, bearing or an interaction relationship between any of these.

Assumptions which may be made about the behaviour of specific structures in defined circumstances are set out in 7.4.5.

7.4.2 Section capacity

The gross section capacity shall be calculated using the criteria specified in 4.2 to 4.6 for design.

Where conventional analysis fails to demonstrate adequate shear capacity the use of an alternative less conservative method permitted by clause 7.5.9 of NZS 3101.1&2 *Concrete structures standard*⁽¹⁸⁾ for the evaluation of shear capacity for concrete elements (eg utilising modified compression field theory or strut and tie analysis) may be considered. For details of the modified compression field theory approach, refer to CAN/CSA-S6 *Canadian highway bridge design code*⁽¹⁹⁾. For details of the strut and tie approach, refer to clause 7.5.9 and appendix A of NZS 3101⁽¹⁸⁾.

The measured effects of corrosion or other deterioration shall be taken into account if appropriate.

From the gross section capacity shall be subtracted the dead load effect, and any other effect considered to be significant, all factored as necessary to give the overload capacity or the live load capacity as required. Load factors for rating, posting, HPMV and 50MAX evaluations at the ultimate limit state (see 7.4.2(a)) shall be taken from tables 7.3 and 7.4.

Other effects to be considered shall be those included in the following load combinations of tables 3.1 and 3.2:

For rating	For posting, HPMV and 50MAX evaluations
Combination 4	Combination 1A or 2A

a. For members for which evaluation at the ultimate limit state (ULS) is appropriate:

For rating	For posting, HPMV and 50MAX evaluations
$R_o = \frac{\phi R_i - \gamma_D(DL) - \Sigma(\gamma(\text{Other Effects}))}{\gamma_o}$	$R_L = \frac{\phi R_i - \gamma_D(DL) - \Sigma(\gamma(\text{Other Effects}))}{\gamma_L}$

- Where:
- R_o = overload capacity
 - R_L = live load capacity
 - R_i = section strength, using material strength determined from 7.3
 - ϕ = strength reduction factor from table 7.5
 - DL = dead load effect
 - γ_o = overload load factor from table 7.3
 - γ_L = live load factor from table 7.3
 - γ_D = dead load factor from table 7.4
 - γ = load factor(s) on other effects, taken from table 3.2

7.4.2 continued

- b. For prestressed concrete members for which evaluation at the serviceability limit state (SLS) is appropriate:

For rating	For posting, HPMV and 50MAX evaluations
$R_o = \left(\frac{\text{Gross capacity}}{\text{at stress } f_o} \right) - (DL) - \left(\frac{\text{Other}}{\text{Effects}} \right)$	$R_L = \left(\frac{\text{Gross capacity}}{\text{at stress } f_L} \right) - (DL) - \left(\frac{\text{Other}}{\text{Effects}} \right)$

or for members constructed in stages, where section properties vary between stages

$$R_o = \left[f_o - \sum \left(\frac{DL_n}{Z_n} \right) - \sum \left(\frac{\text{Other Effects}}{Z_o} \right) \right] Z_F \quad R_L = \left[f_L - \sum \left(\frac{DL_n}{Z_n} \right) - \sum \left(\frac{\text{Other Effects}}{Z_o} \right) \right] Z_F$$

- Where:
- f_o = allowable stress appropriate to overweight vehicles
 - f_L = allowable stress appropriate to conforming vehicles
 - DL_n = dead load effect for construction stage n
 - Z_n = section modulus applicable to stage n
 - Z_o = section modulus applicable to other effects
 - Z_F = section modulus in final condition

If a prestressed concrete member is found to have inadequate capacity under SLS evaluation, the bridge element should be investigated further to determine the likely implications. The requirement for any posting should then be discussed with the road controlling authority (with reference made to the ULS capacity of the bridge).

For the rating evaluation of prestressed concrete members at the serviceability limit state, the permissible stresses and stress range applicable to load combinations including traffic overload on bridges specified in NZS 3101⁽¹⁸⁾ shall not be exceeded. In section 19 of NZS 3101⁽¹⁸⁾ the terminology "frequently repetitive live loading" shall be read to be normal live loading (load type LL) and "infrequent live loading" shall be read to be overload (load type OL).

For the posting, HPMV and 50MAX evaluation of prestressed concrete members at the serviceability limit state, the following criteria shall apply:

- The vehicle load effect shall be taken as that due to 1.35 x load x I (see 7.4.6).
- The permissible stress in compression in concrete due to service loads or normal live load for bridges, specified by NZS 3101⁽¹⁸⁾ shall not be exceeded. This permissible stress may however be increased by 20% for load combinations excluding differential temperature, where a higher permissible stress is already permitted.
- The permissible extreme fibre tensile stresses under service loads specified in NZS 3101⁽¹⁸⁾ shall not be exceeded. Where treated as Class U or T members and the tensile stress is the limiting criterion, the member may be assessed as a cracked (Class C) member.
- The permissible stress range in prestressed and non-prestressed reinforcement due to frequently repetitive live loading specified by NZS 3101⁽¹⁸⁾ may be increased by 20%.
- The maximum allowable crack width specified by 4.2.1(a) assessed in accordance with NZS 3101⁽¹⁸⁾ shall not be exceeded.

7.4.2 continued

For the posting, HPMV and 50MAX evaluation of prestressed concrete bridges satisfying the criteria for adoption of higher stress levels in 7.4.3, with members assessed at the serviceability limit state in accordance with 7.4.2(b), the following criteria apply:

- The vehicle load effect shall be taken as that due to $1.35 \times \text{load} \times I$ (see 7.4.6).
- Where compression in the concrete is the limiting criterion, f_L , the allowable stress in the member, may be taken as 30% greater than the permissible stress in compression of concrete under normal live load for bridges specified by NZS 3101⁽¹⁸⁾ for load combinations excluding differential temperature, and 10% greater for load combinations including differential temperature.
- The permissible stress range in prestressed and non-prestressed reinforcement due to frequently repetitive live loading specified by NZS 3101⁽¹⁸⁾ may be increased by 30%.

Table 7.3: Rating, posting and HPMV evaluation live load ULS load factors*

Rating loads	γ_o	1.49
Posting loads HPMV and 50MAX evaluation loads	γ_L	1.90 or 1.75**

* In no case shall the load factor on the total of all gravity load effects be less than 1.25.

** 1.75 may be adopted only when the conditions for adopting higher stress levels, as set out in 7.4.3, are satisfied.

Table 7.4: Dead load ULS load factors (γ_D)*

Wearing surface, nominal thickness	1.40
In situ concrete, nominal sizes Wearing surface, measured thickness	1.20
In situ concrete, measured dimensions and verified density Factory precast concrete, verified density Structural steel	1.10

* In no case shall the load factor on the total of all gravity load effects be less than 1.25.

Table 7.5: Strength reduction factors (ϕ)

Superstructure condition	Critical section properties based on:	
	construction drawings and assessed sound material	measured dimensions or verified as-built drawings, and measured sound material
Elastic analysis method		
Good or fair	$1.00\phi_D$	$1.00\phi_D$
Deteriorated	$0.80\phi_D$	$0.90\phi_D$
Seriously deteriorated	$0.70\phi_D$	$0.80\phi_D$

Where ϕ_D is the applicable strength reduction factor given by the materials design standard, or for timber given by 4.4.2.

7.4.3 Higher allowable stress levels for Class 1 posting and HPMV and 50MAX evaluations

In the evaluation of bridges for posting when subjected to Class 1 conforming vehicle loading, or for their capacity to sustain HPMV and 50MAX conforming vehicle loading, higher stress levels (ie lower load factors) may be justified where only a small number of bridges are restrictive on an important route. For this approach to be adopted, all of the following criteria shall be met:

- i. The bridge must be one of a small number of bridges restricting vehicles on an important route.
- ii. The deterioration factors for the bridge shall be accurately assessed. This shall be confirmed by undertaking an initial inspection to assess the condition of the bridge.
- iii. The engineer shall be satisfied that the structure has a ductile failure mode.
- iv. The accuracy of the bridge structural data shall be confirmed (ie shear and moment capacities and eccentricity values must be confirmed).
- v. The bridge shall be inspected at no more than six-monthly intervals to observe any structural deterioration.
- vi. The engineer shall be satisfied that early replacement or strengthening is feasible.

The decision to implement a specific inspection programme for a critical bridge to justify higher working stresses shall be discussed with the road controlling authority to ensure that the heavy motor vehicle, HPMV or 50MAX demand for a particular route justifies the cost of regular inspections. This decision is only expected to be made for bridges with a high heavy motor vehicle, HPMV or 50MAX demand, that are one of only a few critical bridges on a route, that are in good condition, and where regular inspections would be relatively easy to undertake.

7.4.4 Live loading and analysis

The bridge shall be considered to be loaded with elements of live loading at their most adverse eccentricity in load lanes defined as follows:

The number of load lanes shall generally equal the number of marked lanes on the bridge. Load lanes shall generally be demarcated by the lane markings, except that shoulders shall be combined with the adjacent marked lanes to form load lanes. Where the combined width of the shoulder and marked lane exceeds 4.5m, a loading arrangement with the edge load lane width reduced to 4.5m, with a commensurate increase in the width of the adjacent load lane, shall also be considered.

For single lane or un-marked bridges, the number of load lanes shall not be less than that determined in accordance with 3.2.3(b), and they shall be of equal width.

Dynamic load factors shall be included, as described in 7.2.2. Reduction factors as specified in 3.2.4 shall be applied to each combination of vehicle loads.

- a. A bridge with one load lane shall be loaded as follows:

For rating	For posting	For HPMV evaluation	For 50MAX evaluation
0.85HO	0.85HN	Up to 25m loaded length 0.90HN	Up to 25m loaded length 0.85HN
		Greater than 25m loaded length 0.95HN	Greater than 25m loaded length 0.90HN

7.4.4 continued

b. A bridge with two or more load lanes shall normally be loaded as follows:

For rating	For posting	For HPMV evaluation	For 50MAX evaluation
Up to 25m loaded length 0.85HO in the most adverse lane, together with 0.90HN in some or all other marked lanes, where critical	0.85HN in some or all marked lanes	Up to 25m loaded length 0.90HN in some or all marked lanes	Up to 25m loaded length 0.85HN in some or all marked lanes
Greater than 25m loaded length 0.85HO in the most adverse lane, together with 0.95HN in some or all other marked lanes, where critical		Greater than 25m loaded length 0.95HN in some or all marked lanes	Greater than 25m loaded length 0.90HN in some or all marked lanes

For all evaluations, if the case of one lane loaded is more critical, this configuration shall be used.

For loadings in (a) and (b) the loaded length shall be defined as follows:

- i. For positive bending moments and end shear, the loaded length is the span length in which the bending moment or shear force is being considered.
- ii. For negative moment over interior supports, the loaded length is the average of the adjacent spans.
- iii. For reactions, the loaded length is the sum of the adjacent spans.
- iv. For transoms, the loaded length is twice the longitudinal spacing of the transoms.

The above definitions shall not apply to 3.2.5 or figure 3.2.

The bridge shall be analysed assuming elastic behaviour to determine the effects of the above loads at the critical locations for which capacities have been determined. Analysis shall take into consideration the relative stiffnesses of the various members, and their end conditions. Stiffness values for reinforced concrete members shall allow for the effects of cracking.

7.4.5 Assumptions for specific structural situations

a. Over-reinforced concrete sections

The intent of clause 9.3.8.1 of NZS 3101⁽¹⁸⁾ shall be complied with. The capacity of a reinforced concrete section shall not be taken as more than that derived using the area of tension steel which would correspond to a distance from the extreme compression fibre to the neutral axis of $0.75C_b$.

C_b is the distance from extreme compression fibre to neutral axis at balanced strain conditions, as defined in clause 7.4.2.8 of NZS 3101⁽¹⁸⁾.

b. Concrete kerbs cast onto a composite deck

Where a kerb has been cast directly onto the deck over its full length and has at least a nominal amount of reinforcing steel connecting it to the deck, and is within the effective flange width of the beam, the moment capacity of the outer beam may be calculated assuming that the kerb is an integral part of it, with the following provisos:

- i. The area of concrete in the kerb shall be assumed to be 50% of its actual area, to allow for shear lag effects, unless tests indicate otherwise.
- ii. The neutral axis shall not be taken to be above the level of the deck surface.

7.4.5 continued

c. Concrete handrails

No reliance shall be placed on the contribution to longitudinal bending capacity of beams by concrete handrails.

d. Steel beams with non-composite concrete deck

No account shall be taken of such a non-composite deck in determining the bending capacity of the beams, except insofar as it may stiffen the beam top flanges, and thus increase their buckling load. Friction shall not be considered to contribute to composite action, nor to the stiffening of top flanges.

e. Steel beams with timber deck

Effective lateral support of the beam flanges by the deck shall only be assumed if the timber deck fastenings are adequate in number and condition.

f. Continuous or framed-in beams

For beams with full moment continuity between spans, of normal proportions and showing no signs of distress, the following simplified procedure may be followed:

The overall moment capacity of each span may be converted to that of an equivalent simple span by subtracting (algebraically) the midspan positive moment capacity from the mean of the two negative moment capacities at its supports. This will give the overall ordinate of the moment of resistance diagram, and both dead and live load moments may then be calculated as though it were a simple span. This procedure shall not be followed for a short span whose length is less than 60% of an adjacent long span, nor for live load effect on a span adjacent to a free cantilever span. The possibility of uplift at an adjacent support shall be considered.

g. Spans built into abutments

Reinforced concrete T-beam spans built monolithically with their abutments may be considered for treatment as in (f), with the following provisos:

- i. If negative moment yield at abutments can be shown to occur at a load greater than 85% of that at which midspan positive moment yield occurs, the working load capacity may be based on the full yield capacity of the section at all locations.
- ii. If negative moment yield at abutments occurs at a lesser load than 85% of that at which midspan positive moment yield occurs:
 - o either the net unfactored service load capacity may be based on the full yield capacity at the abutments, with a reduced yield capacity at midspan, corresponding to the actual moment when abutment yield occurs, or
 - o the net unfactored service load capacity may be calculated assuming zero abutment moment capacity.

In any case, where negative moment capacity is to be relied on, the ability of the abutments to resist the overall negative moments without excessive displacement, either by foundation reaction or by earth pressure, or both shall be assured.

h. Horizontal support restraint

Where the bearings and supports of a beam possess sufficient strength and stiffness horizontally, the horizontal support reaction to live loading may be taken into account where appropriate.

7.4.6 Rating, posting, HPMV and 50MAX evaluations

For each critical location in the bridge the rating, posting, HPMV and 50MAX evaluations shall be calculated as described below. In each of the calculations the denominator shall include the effects of eccentricity of load and of dynamic load factors. R_o and R_L are the section capacities calculated as 7.4.2.

If data is to be entered into OPermit, the CLASS calculation is not necessary (see 7.4.7).

For rating	For posting
$CLASS = \left[\frac{R_o \times 100}{\text{Rating load effect}} \right]_{\min} \%$ <p>The minimum value for any member in the bridge, except the deck, shall be recorded in a structural inventory as the CLASS for manual calculations during processing of overweight permits in accordance with the <i>Overweight permit manual</i>⁽³⁾. For this purpose, any value of CLASS more than 120% shall be recorded as 120%.</p>	$GROSS = \left[\frac{R_L \times 100}{\text{Posting load effect}} \right]_{\min} \%$ <p>The minimum value for any member in the bridge, except the deck, shall be rounded to the nearest 10%. If this value is less than 100%, it shall be recorded after the word GROSS in panel 2 of the heavy motor vehicle bridge limit sign, shown in diagram R5-9 of part 3, schedule 1 of the Land Transport Rule: Traffic Control Devices 2004⁽²⁰⁾.</p> <p>If the speed is restricted by inserting a value in panel 3 of the sign, the dynamic load factor may be reduced in accordance with 7.2.2.</p>
For HPMV and 50MAX evaluations	
<p>Evaluations for HPMV and 50MAX loading shall follow the same procedure as for posting with HPMV or 50MAX evaluation load effects as applicable replacing posting load effect in the GROSS equation. If the value of GROSS is less than 100% then the bridge is unable to carry full HPMV loading or 50MAX loading. A reduced dynamic load factor may be used in accordance with 7.2.2.</p>	

7.4.7 Highway permits data

For all state highway bridges, and some local authority bridges including bypass routes, the basic rating data described above is stored in OPermit. A description of the form in which the data is required and the calculations which the program performs is contained in *OPermit bridge structural data guide*⁽⁴⁾.

7.5 Deck capacity and evaluation

7.5.1 General

Evaluation procedures for the following are given in this clause:

- Reinforced concrete decks by empirical design, based on assumed membrane action.
- Reinforced concrete decks by the simplified evaluation method.
- Reinforced concrete decks by elastic plate bending analysis.
- Timber decks.

A reinforced concrete deck panel may be evaluated against the criteria for the empirical design of concrete decks based on membrane action as per 7.5.2.

Otherwise generally, a reinforced concrete deck panel which is supported on four sides should be evaluated by the simplified evaluation method if it meets the criteria listed in 7.5.3(a). All remaining reinforced concrete deck panels should be evaluated by the elastic plate bending analysis method. In addition, reinforced concrete deck slabs shall be evaluated for their punching shear capacity for wheel loads, taking into account deterioration of the bridge deck using the factors in table 7.5.

It shall be assumed that vehicle wheels can be transversely positioned anywhere between the kerbs or guardrails.

7.5.2 Reinforced concrete decks: empirical design based on assumed membrane action

Where the requirements for empirical design based on assumed membrane action in accordance with NZS 3101⁽¹⁸⁾ clause 12.8.2 are satisfied, the deck slab shall be considered to have adequate resistance to HN-HO-72 loading.

7.5.3 Reinforced concrete decks: simplified evaluation method

a. Criteria for determining applicability of the simplified evaluation method

The simplified evaluation method takes account of membrane action in the slab, and is based on test results. Evaluation of both composite and non-composite reinforced concrete deck slab panels may be determined by this method provided the following conditions are satisfied:

- The supporting beams or girders shall be steel or concrete.
- Cross-frames or diaphragms shall be continuous between external beams or girders, and the maximum spacing of such cross-frames or diaphragms shall be as follows:
 - o Steel I beams and box girders of steel or concrete: 8.0m.
 - o Reinforced and prestressed concrete beams: at supports.
- The ratio of span length (L_s) to minimum slab thickness shall not exceed 20. In skew slabs where the reinforcing has been placed parallel with the skew, the skew span, $L_s / \cos Y$ shall be used, where Y = angle of skew.
- The span length (L_s) or $L_s / \cos Y$ shall not exceed 4.5m.
- The concrete compressive strength shall not be less than 20MPa.
- The slab thickness, or for slabs of variable thickness the minimum slab thickness, shall be not less than 150mm.

7.5.3 continued

- There shall be an overhang beyond the centre line of the outside beam of at least 0.80m measured perpendicular to the beam. The overhang shall be of the minimum slab thickness used to determine the span to thickness ratio above. This condition may be considered satisfied if there is an integral continuous concrete kerb or barrier which provides a combined cross-sectional area of slab and kerb or barrier not less than the cross-sectional area of 0.80m of deck slab.

b. Deck strength in terms of wheel load

For rating (HO wheel contact area alternative (b) of figure 3.1 assumed), the unfactored ultimate resistance (R_i) of a composite or non-composite deck slab shall be calculated as follows:

$$R_i = R_d F_q F_c$$

Where R_d is taken from figure 7.1 or 7.2, as applicable, for the deck thickness (d) and the deck span being considered; F_q is a correction factor based on the value of reinforcement percentage (q) where q is the average of the lower layer reinforcement percentages at the midspan of the slab, in the two directions in which the reinforcement is placed; and F_c is a correction factor based on the concrete strength (f_c').

The values of F_q and F_c shall be taken from figure 7.1 or 7.2, as applicable, or obtained from those figures by linear interpolation.

For deck thicknesses other than those shown in figures 7.1 and 7.2, the value of R_i shall be obtained by linear interpolation.

For posting, HPMV and 50MAX evaluations (HN wheel contact area assumed) the value of R_i obtained shall be multiplied by 0.6.

The dead load and other load effects are ignored in this method.

The "design" strength reduction factor (ϕ_D) for the simplified evaluation method is 0.5. The strength reduction factor (ϕ) used for evaluation shall be taken from table 7.6, by multiplying ϕ_D by the appropriate factor. In this table, deck deterioration is quantified by the crack-to-reinforcing ratio (CRR) defined as follows:

$$CRR = \frac{\text{Total length of visible cracks}}{\text{Total length of bottom reinforcement in both directions}} \times 100$$

The above lengths shall be measured in a 1.2m square area on the bottom of the slab, central between supports.

c. Rating and posting evaluations

For each type of slab panel in the bridge, the parameters shall be calculated as follows. Rating and posting wheel loads shall be taken from tables 7.7 and 7.8. Dynamic load factor (I) shall be as described in 7.2.2. γ_o and γ_L shall be taken from table 7.3.

For rating	For posting
Deck capacity factor (DCF)	Allowable axle load (kg)
$= \left[\frac{\text{Overload wheel load capacity}}{\text{Rating load effect}} \right]_{\min}$	$= \left[\frac{\text{Liveload wheel load capacity}}{\text{Posting load effect}} \times 8200 \right]_{\min}$
$= \left[\frac{\phi R_i}{\gamma_o \times 95 \times I} \right]_{\min}$	$= \left[\frac{\phi \times (0.6 R_i)}{\gamma_L \times 40 \times I} \times 8200 \right]_{\min}$

7.5.3 continued

d. HPMV and 50MAX evaluations

Evaluations for HPMV and 50MAX loading shall follow the same procedure as for posting. If the allowable axle load determined is less than 8800kg for HPMV or 8200kg for 50MAX then the bridge is unable to carry full HPMV or 50MAX loading as applicable.

Further analysis may show that the bridge is able to carry specific full HPMV or 50MAX loads, or limited HPMV or 50MAX loading.

Table 7.6: Strength reduction factors (ϕ) for slabs evaluated by the simplified evaluation method

Superstructure condition	Slab section properties based on:	
	construction drawings and assessed sound material	measured dimensions or verified as-built drawings, and measured sound material
Good or fair (CRR \leq 40%)	$0.90\phi_D$	$1.00\phi_D$
Deteriorated (CRR = 70%)	$0.60\phi_D$	$0.70\phi_D$
Seriously deteriorated (CRR = 100%)	$0.30\phi_D$	$0.40\phi_D$

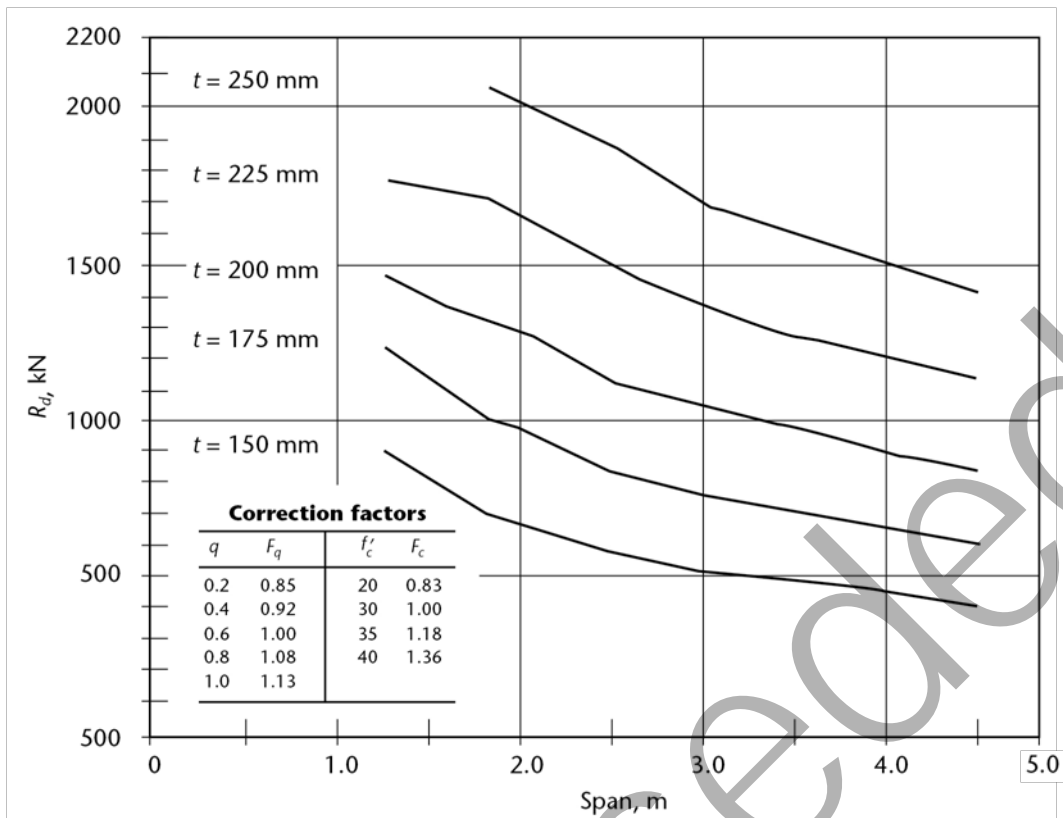
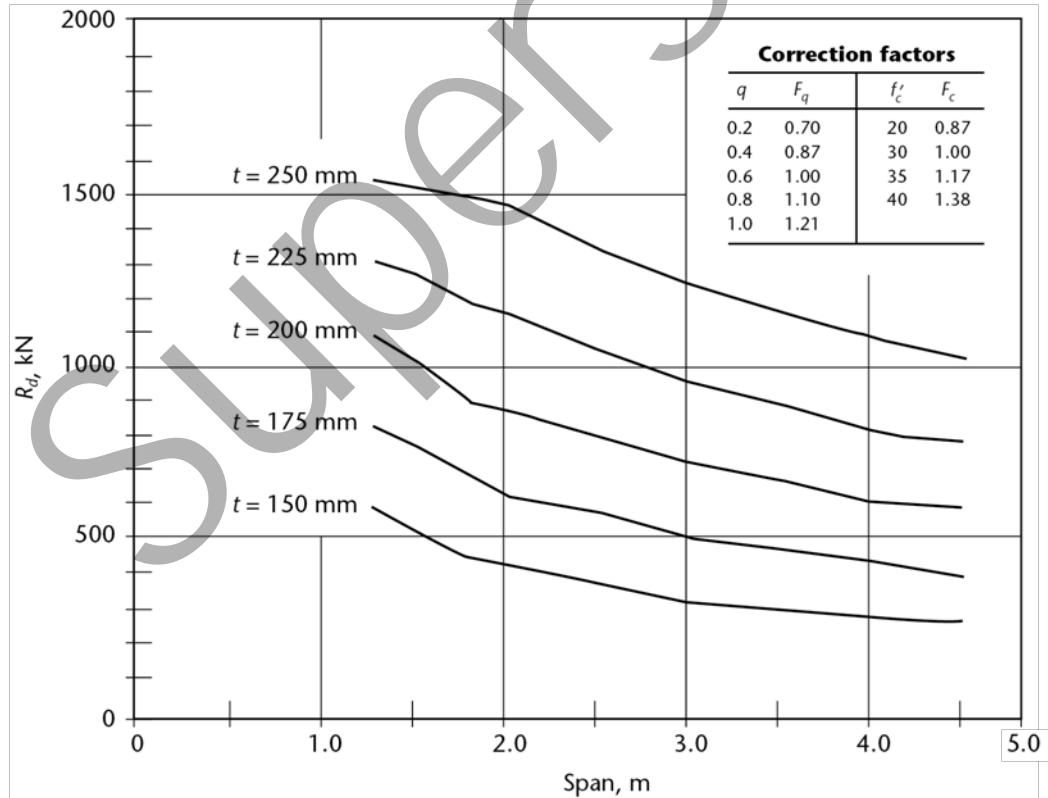
Table 7.7: Deck rating loads

Axle type	Axle load (kN)	Wheel track and contact area
Twin-tyred	105	As for HN axle
Single-tyred, large tyres	190*	As for HO axle, alternative (b)
2/8-tyred oscillating axles, spaced 1.0m	133	As for HO axle, alternative (a)

Table 7.8: Deck posting, HPMV and 50MAX evaluation loads

Axle type	Axle load (kN)	Wheel track and contact area
Class 1 and 50MAX		
Twin-tyred	80*	As for HN axle
Four-tyred oscillating	93	4/250 x 150mm areas equally spaced within 2500mm overall width
2/Twin-tyred axles, spaced 1.0m	71	As for HN axle
HPMV		
Twin-tyred	86*	As for HN axle
Four-tyred oscillating	93	4/250 x 150mm areas equally spaced within 2500mm overall width
2/Twin-tyred axles, spaced 1.0m	74	As for HN axle

* Wheel loads from these axles are used for evaluation by the simplified evaluation method in 7.5.3(c).

Figure 7.1: R_d (kN) for composite concrete deck slabsFigure 7.2: R_d (kN) for non-composite concrete deck slabs

Figures 7.1 and 7.2 and selected text in 7.5.3(b) are reproduced with the permission of Canadian Standards Association (CSA) from CAN/CSA-S6-06 *Canadian Highway Bridge Design Code*⁽¹⁹⁾ which is copyrighted by CSA, 5060 Spectrum Way, Mississauga ON, L4W 5N6 Canada. This reprinted material is not the complete and official position of CSA on the reference subject, which is represented solely by the standard in its entirety. For more information on CSA or to purchase standards, please visit their website at www.shop.csa.ca.

7.5.4 Reinforced concrete decks: plate bending analysis

a. Section capacity at critical locations

The deck slab live load or overload flexural capacity shall be determined using the methodology described in 7.4.2(a), in moment per unit width at critical locations in the slab. A simplification may be made in the case of a slab which is considered to act as a one-way slab, that is, if it has an aspect ratio of at least 4. Provided it has a positive moment capacity in the long-span direction at least 50% of that in the short-span direction, all moment capacities in the long-span direction may be ignored.

b. Live loading and analysis

For rating	For posting, HPMV and 50MAX evaluations
The deck shall be considered to be loaded with the most adverse of the axles or axle groups listed in the <i>Overweight permit manual</i> ⁽³⁾ , at a vehicle axle index (VAI) of 1.3. The number of loaded axles shall be limited to produce a vehicle gross index (VGI) of up to 1.75. For deck spans up to 3m, these may be reduced to the three alternatives described in table 7.7.	<p>The deck shall be considered to be loaded with the most adverse of the axles or axle sets described in the Land Transport Rule: Vehicle Dimensions and Mass 2002⁽⁹⁾:</p> <ul style="list-style-type: none"> For Class 1 and 50MAX vehicles: schedule 2, part A, General mass limits, tables 1 to 6. For HPMV vehicles: schedule 2, part B Mass limits for high-productivity motor vehicles, tables 1 to 6. <p>For deck spans up to 3m, these may be reduced to the alternatives described in table 7.8.</p>

The slab shall be analysed for the loads given in tables 7.7 and/or 7.8 assuming elastic behaviour, and shall be assumed to act as a thin plate in which membrane action is not taken into account. The moment effects of the various loads on the critical locations shall be calculated.

c. Rating and posting evaluations

For each critical location in the slab, the evaluation shall be calculated as described below. In both calculations, the denominator shall include dynamic load factors as in 7.2.2, and the numerator shall be as described in (a). The value of DCF or axle load adopted shall be the minimum for the bridge.

For rating	For posting
<p>Deck capacity factor (DCF)</p> $= \left[\frac{\text{Overload capacity at critical location}}{\text{Rating load effect}} \right]_{\min}$ <p>The minimum value for the bridge shall be recorded as the DCF for the bridge.</p>	<p>Allowable axle load (kg)</p> $= \left[\frac{\text{Liveload capacity at critical location}}{\text{Posting load effect}} \times 8200 \right]_{\min}$ <p>The minimum value for the bridge shall be rounded to the nearest 500kg and if less than 8200kg, shall be recorded after the word AXLES, in panel 1 of the heavy motor vehicle bridge limit sign, shown in diagram R5-9, schedule 1 of the Land Transport Rule: Traffic Control Devices 2004⁽²⁰⁾.</p>

d. HPMV and 50MAX evaluations

Evaluations for HPMV and 50MAX loading shall follow the same procedure as for posting. If the allowable axle load determined is less than 8800kg for HPMV or 8200kg for 50MAX then the bridge is unable to carry full HPMV or 50MAX loading as applicable.

7.5.5 Timber decks

a. Section capacity of nominal width

It is assumed that timber decks generally consist of a plank system spanning transversely between longitudinal main beams. Other systems shall be evaluated using the principles described, varying the details to suit.

Unless data is to be entered into OPermit (see 7.4.7), the live load or overload moment capacity for timber decks consisting of planks spanning transversely between main beams shall be determined for the nominal width of section considered to carry one axle. The nominal widths given in (i) to (vi) below may be assumed unless investigations indicate other criteria. If the timber deck planks are continuous over two or more spans, the section capacity may be assumed increased by 25%, provided live load moments are calculated on a simple span basis.

Terms are defined as follows:

- **Plank width** is the larger cross-sectional dimension of a deck plank, regardless of its orientation, in metres. It is the actual dimension, not the call dimension.
- **Deck span** is the span of the planks between the centres of areas of bearing, in metres.
- **Contact length** is the dimension, perpendicular to the plank span, of a wheel contact area, and is assumed to be 0.25m.
- **Nominal width:**
 - i. For planks laid flat, without running planks at least 50mm thick, the nominal width is equal to the width of a whole number of planks, and is greater than the contact length by not more than one plank width.
 - ii. For planks laid flat, with running planks at least 50mm thick, the nominal width is equal to the width of a whole number of planks, and is greater than the contact length by not more than two plank widths.
 - iii. For nail laminated deck, with planks on edge, fabricated into baulks with no shear connection between them, the nominal width is:
 $0.250\text{m} + 0.4 \times (\text{Plank width}) \times (\text{Deck span})$.
 - iv. For nail-laminated deck, with planks on edge, end laminations well supported and:
 - o fabricated in baulks with shear connection between them by steel dowels or other means, or
 - o fabricated in baulks and having running planks over them more than 50mm thick, or
 - o fabricated in situ, continuously across the beam span, with no unconnected joints between laminations, the nominal width is:
 $0.250\text{m} + 0.8 \times (\text{Plank width}) \times (\text{Deck span})$.
 - v. For glue-laminated deck, with planks on edge, fabricated in baulks with no shear connection between them, the nominal width is:
 $0.250\text{m} + 1.5 \times (\text{Plank width}) \times (\text{Deck span})$.
 - vi. For glue-laminated deck, with planks on edge, otherwise as for (iv), the nominal width is: $0.250\text{m} + 3.0 \times (\text{Plank width}) \times (\text{Deck span})$.

Dead load may be neglected in the above calculation.

b. Live loading and analysis

The transverse moments due to the various axles described in tables 7.7 and/or 7.8 on the span between beams shall be calculated assuming the deck planks are simply supported.

7.5.5 continued

c. Rating and posting evaluations

For the nominal width at the midspan section of a timber deck span, the evaluation shall be calculated as described below. In both calculations, the numerator shall be as described in (a).

The value of DCF or axial load adopted shall be the minimum for the bridge.

For rating	For posting
<p>Deck capacity factor (DCF)</p> $= \left[\frac{\text{Overload capacity of nominal width}}{\text{Rating load effect}} \right]_{\min}$ <p>The minimum value for the bridge shall be recorded as the DCF for the bridge.</p>	<p>Allowable axle load (kg)</p> $= \left[\frac{\text{Liveload capacity of nominal width}}{\text{Posting load effect}} \times 8200 \right]_{\min}$ <p>The minimum value for the bridge shall be rounded to the nearest 500kg, and if less than 8200kg, shall be recorded after the word AXLES, in panel 1 of the heavy motor vehicle bridge limit sign, shown in diagram R5-9, schedule 1 of the Land Transport Rule: Traffic Control Devices 2004⁽²⁰⁾.</p>

d. HPMV and 50MAX evaluations

Evaluations for HPMV and 50MAX loading shall follow the same procedure as for posting. If the allowable axle load determined is less than 8800kg for HPMV or 8200kg for 50MAX then the bridge is unable to carry full HPMV or 50MAX loading as applicable.

7.5.6 Deck grade

In 7.5.3(c), 7.5.4(c) and 7.5.5(c) the rating calculation has produced a DCF. For issue of permits by the manual method, the DCF shall be converted to a grade, using the relationship given in table 7.9.

Table 7.9: Relationship between DCF and grade

		Grade
	DCF ≥ 1.00	A
1.00	> DCF ≥ 0.89	B
0.89	> DCF ≥ 0.78	C
0.78	> DCF ≥ 0.67	D
0.67	> DCF ≥	E

7.5.7 Highway permits data

The statement in 7.4.7 applies but, for decks, only the DCF is required.

7.6 Proof loading

Proof loading may be undertaken in addition to the procedure described in 7.1 to 7.5, either to verify the theoretical findings and assumptions made, or to extend the load limits where the results of the procedure are considered to be not representative of the structure's actual behaviour.

Proof loading shall not be relied on to determine load limits for bridges with features such as those described in 7.6.2(a)(iv) and (v), without either modifying the structure, or multiplying the load factors of 7.4.2 by 1.5.

7.6.1 Preliminary

a. Objective

The objective of proof loading shall be to determine experimentally the safe load limit for either overweight loads or normal loads or both, expressed as defined in 7.4.6, 7.5.3(c), 7.5.4(c) and 7.5.5(c).

b. Scope

These requirements apply to main member spans of all materials up to 30m, and to decks. Proof loading of spans larger than 30m may require additional criteria.

c. Analysis

Before testing of any bridge, adequate analysis shall be performed to determine its likely behaviour, including its failure mode.

d. Personnel

Personnel engaged in proof loading shall be experienced and competent, in order to minimise the risk associated with loading beyond the linear range.

e. Risk

The risk of failure or damage being induced by testing shall be clearly stated to the controlling authority.

7.6.2 Analysis

a. Objectives

The objectives of the analysis shall be:

- i. To model the structural behaviour up to yield level.
- ii. To assess the amount of redundancy in the structural system and its implications for behaviour.
- iii. To determine if the bridge failure mode is likely to be ductile or not.
- iv. To identify and evaluate features which would give an apparent enhancement of strength up to proof-load level but which could be followed by sudden failure. Such features may include a non-composite deck as described in 7.4.5(d).
- v. To identify and evaluate features which are likely to affect the distribution of loads differently at proof load level and at yield load level, such as a stiff concrete handrail, as described in 7.4.5(c).

b. Evaluation of main members

The bridge shall be analysed for the rating and/or posting load as described in 7.4.4, to determine the load effects at the critical location. It shall also be analysed for the actual test loading configuration proposed to be used. This shall be chosen so that it will produce approximately the same relative effects on critical members as the evaluation loading described in 7.4.4. If there is more than one critical effect to be monitored, the load may need to be applied in more than one place, eg to induce both maximum moment and shear in a beam.

c. Evaluation of decks

Sufficient analysis shall be carried out to determine which of the axle configurations in tables 7.7 or 7.8 is most critical, and the critical load position(s). The likely failure mode(s) shall be determined.

7.6.3 Load application, instrumentation and procedure

- a. The nature and magnitude of the proof load, and/or any prior modification of the structure, shall be consistent with the objectives of 7.6.2(a).
- b. For evaluation of main members lanes shall be loaded to represent the effects of the evaluation loads described in 7.4.4, including dynamic load factors as in 7.2.2.
For evaluation of decks, contact areas corresponding to the most critical of the axle loads of tables 7.7 or 7.8 shall be loaded, to represent the evaluation load including dynamic load factors.
- c. If the failure mode is likely to be non-ductile or there is little redundancy in the structure, a jacking system shall be used to apply the load in preference to gravity because of the added control it gives against inadvertent failure.
- d. Appropriate strains, deflections and crack widths shall be recorded and correlated with the applied load. Care shall be taken to eliminate errors due to thermal movement. A plot of critical effect(s) against load shall be monitored to ensure that the limits set in 7.6.4 are not exceeded. The test load shall be applied in approximately equal increments, at least four of which shall lie on the anticipated linear part of the response curve. Critical effects shall be recorded in a consistent manner, immediately after the application of each load increment.
- e. During incremental loading, the next increment of load shall not be applied until displacement under the previous increment of load has stabilised. Following application of the final increment of load the total proof load shall be applied for not less than fifteen minutes after the displacement has stabilised.

7.6.4 Load limit criteria

- a. Main members
Loading shall not exceed either:
 - i. the load which, together with dead load effects, produces 80% of the yield load on the critical member, as determined by the analysis of 7.6.2, or
 - ii. that at which the response of the critical member deflection exceeds the value which would be predicted by linear extrapolation of the initial part of the load/response curve by the following percentage.

Member material	Percentage offset
Structural steel	10
Prestressed concrete	15
Reinforced concrete, composite steel/concrete	20
Timber	25

- b. Decks
Loading shall not exceed either:
 - i. 80% of the load (on the same contact area) calculated to produce yield in the deck, or
 - ii. that at which the deck local deflection exceeds a value determined as in (a)(ii) above.

7.6.4 continued

c. Concrete cracking criteria

Under proof loading to establish the safe load limit for normal loads, at the maximum load, critical crack widths of reinforced concrete and prestressed concrete shall be recorded. Also under proof loading to establish the safe load limit for overloads, the crack widths under a level of loading equivalent to normal live load shall be recorded. If such cracks are wider than allowed under 4.2.1(a), then regular inspection shall be instituted, specifically to detect any ongoing deterioration of the cracking and possible corrosion.

7.6.5 Rating, posting, HPMV and 50MAX evaluations

a. Correlation of analysis and test results

The results of testing shall be compared with predicted results from the analysis of 7.6.2. The reasons for major differences between predicted and actual behaviour shall be resolved before adoption of rating or posting parameters based on tests.

b. Main members

Rating and posting parameters shall be calculated as in 7.4.6. In the calculations R_i shall be the calculated effect at the critical location of the maximum applied test load divided by $(0.8 \times \gamma_L)$. R_o shall be the same value divided by $(0.8 \times \gamma_o)$.

Rating, posting, HPMV and 50MAX load effects shall be taken from the analysis of 7.6.2 and shall include dynamic load factors.

c. Decks

Parameters shall be calculated as follows:

For rating	For posting
DCF	Allowable axle load (kg)
$= \left[\frac{T_o}{0.8 \times \gamma_o \times (\text{Rating load}) \times I} \right]$	$= \left[\frac{T_L \times 8200}{0.8 \times \gamma_L \times (\text{Posting load}) \times I} \right]$

Where T_o and T_L are the maximum applied wheel or axle loads on the contact areas specified in tables 7.7 and 7.8 respectively. Rating and posting loads are the appropriate wheel or axle loads from tables 7.7 and 7.8.

d. HPMV and 50 MAX evaluations

Evaluations for HPMV and 50MAX loading shall follow the same procedure as for posting. If the allowable axle load determined is less than 8800kg for HPMV or 8200kg for 50MAX then the bridge is unable to carry full HPMV or 50MAX loading as applicable.

7.7 References

- (1) Ministry of Transport (2002) Land Transport Rule: Vehicle Dimensions and Mass 2002 (plus subsequent amendments). Wellington.
- (2) Ministry of Transport (1974) Heavy Motor Vehicle Regulations 1974. Wellington.
- (3) NZ Transport Agency (1995) *Overweight permit manual* (SM070). Wellington.
- (4) NZ Transport Agency (2014) *OPermit bridge structural data guide*. Wellington.
- (5) Standards New Zealand NZS 3112.2:1986 *Methods of test for concrete*. Part 2 Tests relating to the determination of strength of concrete.
- (6) British Standards Institution BS EN ISO 6892-1:2009 *Metallic materials. Tensile testing*. Part 1 Method of test at ambient temperature.
- (7) British Standards Institution BS 5896:2012 *High tensile steel wire and strand for the prestressing of concrete. Specification*
- (8) Standards New Zealand NZS 3603:1993 *Timber structures standard*.
- (9) Standards Australia AS 1720.2-2006 *Timber structures*. Part 2 Timber properties.
- (10) Standards Australia and Standards New Zealand jointly AS/NZS 2878:2000 *Timber - Classification into strength groups*.
- (11) Standards New Zealand NZS 3631:1988 *New Zealand timber grading rules*.
- (12) Standards Australia AS 3818.6-2010 *Timber - Heavy structural products - Visually graded*. Part 6 Decking for wharves and bridges.
- (13) Standards Australia AS 3818.7-2010 *Timber - Heavy structural products - Visually graded*. Part 7 Large cross-section sawn hardwood engineering timbers.
- (14) Standards Australia AS 2858-2008 *Timber - Softwood - Visually stress-graded for structural purposes*.
- (15) Standards Australia AS 1720.1-2010 *Timber structures*. Part 1 Design methods.
- (16) NZ Transport Agency (1989) *Strength and durability of timber bridges*. Road Research Unit bulletin 80. Wellington.
- (17) Lieberman GJ (1957) *Tables for one-sided statistical tolerance limits*. Technical report no. 34, Applied Mathematics and Statistics Laboratory, Stanford University, California for Office of Naval Research, USA.
- (18) Standards New Zealand NZS 3101.1&2:2006 *Concrete structures standard*.
- (19) Canadian Standards Association CAN/CSA-S6-06 *Canadian highway bridge design code*. (Note 2014 revision in prep.)
- (20) Ministry of Transport (2004) Land Transport Rule: Traffic Control Devices 2004 (plus subsequent amendments). Wellington.

Addendum 7A Guidance note – Estimating the characteristic strength of a group of reinforcing bars

7A.1 Introduction

In 7.3.6(a) it is recommended that the characteristic strength of reinforcing steel, where determined by testing, be the 5% percentile strength and determined with 95% confidence. This approach determines the characteristic yield strength which represents the performance of an individual bar.

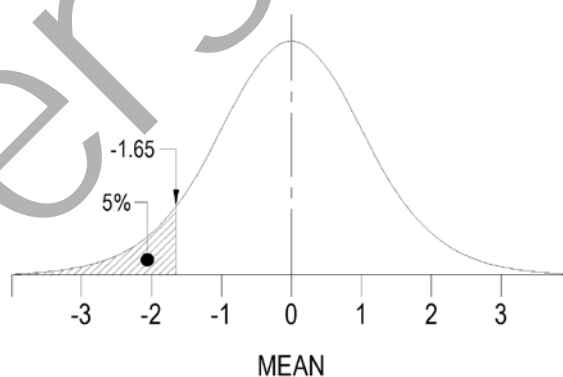
In practice, reinforcing bars are rarely loaded individually, and the tensile demands are shared. The probability of two independent events with probability P_1 and P_2 occurring simultaneously is $P_1 \times P_2$. For two independent bars, the probability of both bars having strength less than the 5th percentile is 0.25% (ie 5% x 5%). This shows that the total strength of two bars is less variable than the strength of individual bars; the combined characteristic strength of the two bars will therefore be greater than twice the characteristic strength of an individual bar.

As a result, in many cases use of a higher characteristic strength representing the performance of a group of bars may be justified.

7A.2 Background

The distribution of yield strength for a particular grade of reinforcement within a structure is generally accepted to be approximated by a normal distribution. The value of strength which less than 5% of test results would fall below is called the characteristic strength. Figure 7A.1 illustrates a standard normal distribution with a mean of zero and a standard deviation of 1; the hatched area represents the 5% probability of falling below the characteristic value.

Figure 7A.1 Standard normal distribution



An estimate of the characteristic strength based on a sample of n test results can be represented by:

$$F_k = \bar{X} - ks$$

Where:

$$\bar{X} = \text{the mean of the sample} = \frac{1}{n} \sum_{i=1}^n X_i$$

k = the "tolerance limit factor", which is the number of standard deviations below the mean of the point where the characteristic value lies. This value is sourced from statistical tables. For a normally distributed large population, the value of k is 1.65. When dealing with a sample, the value of k increases as the sample size decreases or the desired level of confidence increases.

7A.2 continued

s = the sample standard deviation which is given by:

$$s = \sqrt{\frac{1}{(n-1)} \sum_{i=1}^n (X_i - \bar{X})^2}$$

7A.3 Derivation of "characteristic strength" for a group of bars

If X and Y are two independent random variables that are normally distributed the sum of X and Y is also normally distributed with mean and variance as follows:

Mean: $\mu_{(X+Y)} = \mu_X + \mu_Y$

Variance: $\sigma^2_{(X+Y)} = \sigma^2_X + \sigma^2_Y$

Here the symbols μ and σ represent the mean and standard deviation of the entire population. Variance is the square of the standard deviation.

If N bars are resisting tension at a given location in a beam, the probability distribution of the total strength (ie the total yield force) of the group of bars can be defined by:

Mean: $\mu_{Total} = \mu_1 + \mu_2 + \dots + \mu_N$

Variance: $\sigma^2_{Total} = \sigma^2_1 + \sigma^2_2 + \dots + \sigma^2_N$

If all the bars are taken from the same population $\mu_1 = \mu_2 = \dots = \mu$ and $\sigma_1 = \sigma_2 = \dots = \sigma$, therefore:

$$\mu_{Total} = N\mu$$

$$\sigma^2_{Total} = N\sigma^2 \text{ and } \sigma_{Total} = \sqrt{N}\sigma$$

If the population parameters are estimated from tests, the applicable mean is \bar{X} and the standard deviation is s . We therefore have:

$$F_{Total} = N\bar{X} - k s_{Total} = N\bar{X} - ks\sqrt{N}$$

Where:

F_{Total} = the estimated total characteristic strength (yield force (kN)) of a group of N bars of a particular size resisting tension at a given location in a beam

\bar{X} = the mean value of a series of n representative tests (kN)

s = the sample standard deviation of that series of n tests

k = the "tolerance limit factor" for the specific combination of tolerance limit (eg 5th percentile), sample size (n), confidence limit (eg 95%). This value is sourced from tables such as table 7.2

This equation can be expressed in terms of the characteristic yield strength (stress) of the group (MPa) as follows:

$$\begin{aligned} f_{Total} &= \frac{F_{Total}}{NA_{bar}} = \bar{X}_{stress} - \frac{ks\sqrt{N}}{NA_{bar}} \\ &= \bar{X}_{stress} - \frac{k s_{stress}}{\sqrt{N}} \end{aligned}$$

Where:

f_{Total} = the characteristic yield strength (stress) of the group (MPa)

A_{bar} = the cross-sectional area of the reinforcing bar (mm²)

\bar{X}_{stress} = the mean yield strength (stress) of a series of n tests (MPa)

s_{stress} = the sample standard deviation of yield strength from that series of n tests

7A.4 Application

The application of this approach to specific strength assessments requires the professional judgement of a suitably experienced structural engineer, and must be considered on a case-by-case basis. It is reliant upon a small amount of ductility within the reinforcement, as individual bars will reach yield strength prior to the characteristic strength of the group of bars being reached.

This approach may not be suitable for shear reinforcement where the number of individual bars contributing to shear resistance at a section is likely to be small, and the assumption of independence of the reinforcing bars may not be appropriate.

As described in 7.3.6, in applying this approach the engineer shall also be satisfied that tests have been taken at sufficient locations to represent the whole structure, or the entire group of similar members, as appropriate to the assessment, including making due allowance for any anomalies in the test results.

Where possible, non-destructive sampling (ie hardness testing) should be carried out on the most critical members.

Superseded

8.0 Structural strengthening

In this section

	Section	Page
8.1	Introduction	8-2
8.2	Approvals	8-2
8.3	Durability	8-2
8.4	Existing structure material strengths	8-3
8.5	Strengthening of flexural members	8-3
8.6	Shear strengthening and ductility enhancement of reinforced concrete columns	8-13
8.7	References	8-14

8.1 Introduction

Strengthening or increasing the ductility of bridge members may be required for a variety of reasons including increasing capacity for vehicle loads and improving earthquake resistance.

This chapter sets out criteria for the design of strengthening for concrete or steel bridge members for the following situations, materials and techniques:

- The strengthening of members using bonded steel plates or fibre reinforced polymer composite materials.
- The strengthening of members using external prestressing.
- The shear strengthening and ductility enhancement of reinforced concrete columns using steel sleeves or fibre reinforced polymer composite materials.

Technologies for the strengthening of structures are continually under development. This chapter provides design criteria and guidance based on published information available at the time of preparation.

8.2 Approvals

Where a state highway bridge is to be strengthened, a structure design statement shall be prepared and submitted to the NZ Transport Agency (NZTA) for acceptance. The materials and procedures for the proposed strengthening shall be fully described, including the criteria forming the basis of the design. The following shall be included:

- The mode of failure at the ultimate limit state and measures to be taken to ensure that other modes of failure are precluded.
- The strength reduction factors to be adopted for the various modes of action.
- Design standards and reference papers setting out and/or supporting the design criteria and design approach proposed.
- Durability issues and proposed mitigation measures.
- Intended remaining life of the structure and design life of the strengthening system.
- Quality assurance tests required for fibre reinforced composite materials used for strengthening the structure.

It is recommended that a structure design statement is similarly prepared for the strengthening of bridges on other public roads and submitted to the relevant road controlling authority for acceptance.

8.3 Durability

8.3.1 General

The requirements of 2.1.6 of this manual shall be satisfied. Design life in this context shall be taken to be the intended remaining life of the strengthened structure.

Consideration shall be given to the vulnerability of the strengthening system to harmful hazards associated with the operational environment, including, but not limited to:

- exposure to water (marine, fresh or from industrial sources, and including the effects of wetting and drying)
-

8.3.1 continued

- the effects of ground water and soil chemistry
- the passage of water and abrasion from material transported
- abrasion by traffic
- ultra violet light
- cycles of temperature variation
- freeze-thaw cycles
- heat or cold associated with the construction
- maintenance or operation of the structure
- fatigue
- stress corrosion
- strain aging
- galvanic corrosion
- exposure to fire
- exposure to lightning and stray electric currents
- acts of vandalism
- accidental impact, and
- chemical spillage.

Appropriate mitigation measures such as coating to protect the strengthening system shall be implemented.

8.3.2 Fibre reinforced polymer composites and adhesives

In addition to the requirements of 8.3.1 consideration shall be given to the effects of exposure to the following, as appropriate:

- contact with alkaline materials
- creep
- stress rupture
- glass transition temperature of the matrix (resin).

8.4 Existing structure material strengths

Where the characteristic strengths of the existing concrete, reinforcing steel, prestressing steel or structural steel are not known they shall be determined from testing as set out in 7.3.

8.5 Strengthening of flexural members

8.5.1 General requirements for the strengthening of reinforced concrete and prestressed concrete members

Strengthening shall, where appropriate, comply with, and be consistent with the requirements of NZS 3101.1&2 *Concrete structures standard*⁽¹⁾.

Strength reduction factors used for assessment of the reliable strength at the ultimate limit state shall not exceed those given by NZS 3101⁽¹⁾ clause 2.3.2.2.

8.5.2 General requirements for the strengthening of steel members

Strengthening shall, where appropriate, comply with, and be consistent with the requirements of the relevant standard for structural steel design as set out in 4.3.1.

Strength reduction factors or partial safety factors used for the assessment of reliable strength at the ultimate limit state shall not exceed those given by the relevant structural steel standard set out in 4.3.1.

8.5.3 Flexural strengthening of plastic hinge zones

Bonded steel plates, providing flexural strengthening at member sections at which plastic hinging is likely to occur under response to a design intensity earthquake event, shall be fully anchored outside the zone of plastic hinging. The impact of increased strength of plastic hinge zones on other elements of the load path shall be considered, with particular emphasis on beam-column joints abutting the enhanced plastic hinge zone, where appropriate upgrade may be very demanding. The bonded steel plates shall be fully confined over their length against buckling in accordance with the principles on which NZS 3101⁽¹⁾ requirements for confining reinforcement are based.

Flexural strengthening using fibre reinforced polymer composites as primary flexural reinforcement, or using prestressing to increase the axial load on the section, shall not be applied at member sections at which plastic hinging is likely to occur under response to a design intensity earthquake event.

8.5.4 Strengthening using bonded steel plates

a. General and design principles

Design for the strengthening shall be undertaken at the serviceability limit state, based on the principles of elastic superposition and strain compatibility, and also at the ultimate limit state to ensure adequacy of strength and factor of safety against failure, with consideration to the mode of failure. The adequacy of the strengthened member for shear shall be confirmed.

The United Kingdom Highways Agency advice note BA 30 *Strengthening of concrete highway structures using externally bonded plates*⁽²⁾ provides guidance on design for strengthening using bonded steel plates and may be adopted subject to the modifications noted herein.

b. Applicability of strengthening using bonded steel plates

In the event of unexpected failure of the strengthening system, the structure shall remain capable of supporting its permanent loads plus nominal live load. A member shall only be considered suitable for strengthening by plate bonding if it can be shown to be at least capable of supporting the following when checked at the ultimate limit state (refer to 3.5 for definitions of the individual loadings):

$$1.20 (DL + EP + OW + SG + ST) + LLxI + FP$$

This amends BA 30⁽²⁾ clause 2.1.

Bonded steel plates shall not normally be used to provide resistance for significant permanent loads on the structure.

c. Strength reduction factors

Strength reduction factors for section design at the ultimate limit state shall not exceed those given in NZS 3101⁽¹⁾ clause 2.3.2.2 or the relevant standard for structural steel design as appropriate. Where the structure is deteriorated, the design strength reduction factors shall be modified as set out in table 7.5. The strength reduction factor (ϕ) shall not exceed 0.75 for the following aspects of design:

- i. plate peeling
- ii. plate development

8.5.4 continued

The strength reduction factors adopted shall ensure that a flexural mode of failure (ie by plate yielding or concrete crushing) precedes failure by plate peeling or bond failure. This amends BA 30⁽²⁾ clause 3.2.

d. Brittle failure

The over-reinforcement of a concrete section can result in brittle failure. Sections to be strengthened should therefore be checked to ensure that this does not occur. The intent of NZS 3101⁽¹⁾ clause 9.3.8.1 shall be complied with. This amends BA 30⁽²⁾ clause 3.3.

e. Fatigue

Fatigue of the bonded steel plate, the bonding material, and the reinforcement or structural steel section of the original member, under frequently repetitive imposed loads and forces on the structure shall be considered. For concrete members, NZS 3101⁽¹⁾ clause 2.5.2 shall be complied with. NZS 3101⁽¹⁾ clause 2.5.2.2 shall also apply to the stress range within the bonded steel plates. For steel members, the requirements of the relevant standard for structural steel design shall be complied with. This amends BA 30⁽²⁾ clause 3.5.

Where the strengthening is applied to the top surface of a bridge deck, consideration shall also be given to the fatigue effect from individual vehicle wheels applying normal and traction forces to the strengthening.

f. Yielding of original member reinforcement or section

The manner of strengthening shall be such that the reinforcement of an original concrete member, or part of the section of an original steel member, shall not be subjected to yielding under service loads to be imposed on the strengthened member.

g. Plate peeling

The phenomenon of premature failure of the bonded steel plates by plate peeling shall be taken into account and guarded against. The following principles are relevant:

- i. When a beam is subjected to a load perpendicular to its length, reactions are developed at its supports and the beam takes up a deflected shape. If strengthening in the form of bonded plates is added to the beam, to enable it to resist the load, then the plates must also take up a compatible deflected shape to that of the beam. This is brought about through the mobilisation of normal forces acting across the interface between the beam and the bonded plate, compressive towards the centre of the span and tensile in the end regions of the plate.
- ii. For the bonded plate to act as composite strengthening, it must take up strain such that as the beam deflects, plane sections remain plane, developing longitudinal shear stresses on the interface between the plate, adhesive and the face of the beam to achieve strain compatibility.

Fixings shall be used to develop the normal forces and longitudinal shear stresses involved. In reinforced concrete members, tension in the cover concrete shall not be relied on for these actions. Where BA 30⁽²⁾ clause 3.7 is adopted as the basis for the design of fixings, the requirements of BA 30⁽²⁾ clause 3.4 shall also be satisfied.

Fixings detailed in accordance with BA 30⁽²⁾ clause 3.7 shall be confirmed to provide adequate fixing for the normal forces in addition to the longitudinal shear forces, and shall also be detailed and confirmed to satisfy the other requirements of this clause, including (h) below.

8.5.4 continued

In addition, the effect of yielding of the reinforcement in the original concrete member or of the original section of a steel member, at the ultimate limit state, on the level and distribution of bond stress along the member shall be taken into account and provided for. (*Retrofit of reinforced concrete members using advanced composite materials*⁽³⁾ provides a presentation of this effect in respect to reinforced concrete members.)

h. Truss analogy for reinforced concrete members

The mode of behaviour of a reinforced concrete beam can be considered to be analogous to a truss. When plate reinforcement is added to the soffit face of a reinforced concrete beam it lies outside the beam shear reinforcement, and in effect, the 'truss' web. A mechanism, other than tension in the cover concrete, shall be provided to incorporate that plate into the 'truss' action of the concrete beam.

Approaches that may be used to incorporate the plate into the 'truss' action of the concrete beam, effectively by extending the 'truss' web down to the level of the strengthening plate, include:

- bolting, lapped a development length with the beam shear reinforcement
- plates bonded to the side faces of the beam and attached to the flexural strengthening soffit plate, lapped a development length with the beam shear reinforcement, or
- fibre reinforced polymer strips wrapped around the flexural strengthening soffit plate and bonded up the side faces of the beam, lapped a development length with the beam shear reinforcement.

Where plates or fibre reinforced polymer strips bonded up the side faces of the beam are used to incorporate the soffit plate into the beam's 'truss' action, the top ends of these plates or strips shall be mechanically fixed to prevent them from peeling. On wide beams, a combination of side plates/strips and bolting may be necessary to prevent the soffit plate cross-section from bowing and to adequately incorporate the soffit plate into the beam's 'truss' action.

i. Effect of loading during curing on adhesive strength

Where the structure is subjected to live loading or other environmental loadings during curing of the adhesive, following installation of the steel plates, the effect of such loading on the final strength of the adhesive shall be taken into account.

j. Irregularity of the surface to which plates are to be bonded

The effect of irregularity of the bonding surface on the strengthening shall be taken into account, including the effects arising from deviation of the strengthening plate from perfect alignment (giving rise to a tendency for the plate to initially straighten when taking up load). The effect on the bond stresses from the strengthening plate not being perfectly aligned shall also be taken into account.

k. Materials

Materials shall comply with BA 30⁽²⁾ section 4.

l. Surface preparation and corrosion protection

Surface preparation of the concrete and steel surfaces shall comply with BA 30⁽²⁾ section 5.

8.5.4 continued

Interface steel surfaces may be protected against corrosion using a primer that is compatible with the initial bond primer and adhesive. Where a corrosion protection system is used, its effect on the bond strength of the interface shall be taken into account.

8.5.5 Strengthening using bonded fibre reinforced composite materials

a. General

Fibre reinforced polymer composite materials encompass a wide range of materials, manufactured by a number of different processes. The most commonly used fibre and resin materials, used to make up the composite materials covered by this clause, include the following:

- Fibre types: carbon, aramid, glass, and polyethylene.
- Resins: epoxy and vinyl ester.

Strengthening using bonded fibre reinforced polymer composites shall be in accordance with the same principles and requirements as set out in 8.5.4 for strengthening using bonded steel plates, except as modified below.

Many design guidelines are currently available that provide useful guidance on flexural and shear strengthening using fibre reinforced polymer composite materials (see 8.5.5(f)).

It is recommended, however, that *Guide for the design and construction of externally bonded FRP systems for strengthening concrete structures*⁽⁴⁾ is adopted for the design of strengthening. Note that 8.5.4(a) first paragraph and 8.5.4(b) shall apply.

Fibre reinforced polymer composites should not be applied to structural members containing corroded steel reinforcement or deteriorated concrete unless the substrate is repaired adequately. The existing substrate strength is important for bond critical strengthening applications such as flexural and shear strengthening of concrete members. The tensile strength of the existing substrate should be more than 1.4MPa as determined by a pull-off type adhesion test.

b. Track record, manufacturing processes and quality assurance

The fibre reinforced polymer composite material to be used shall have a track record of use in service that has demonstrated adequate durability. In addition, the product shall hold CodeMark certification that demonstrates that it complies with the current version of the *Building code*⁽⁵⁾ clauses:

- B1 Structure: clauses B1.1, B1.2, B1.3.1, B1.3.2, B1.3.3 and B1.3.4
- B2 Durability: clause B2.3.1
- E2 External moisture: clauses E2.3.2, E2.3.3, and E2.3.5
- F2 Hazardous building materials: clause F2.3.1

Listed conditions and limitations on the Certificate of Conformity shall be appropriate to the application to which the fibre reinforced polymer composite material is being put and the controls being exercised in the design and installation.

The material shall be of adequate quality. This requires the choice of appropriate fibres and resins, combined in an appropriate manufacturing process with the necessary quality controls. The strength properties adopted for design shall be statistically based and have a confidence limit of not less than 95%, (ie not more than 5% of the test results will fall below the adopted design properties). The elastic modulus assumed for design shall be the mean value.

8.5.5 continued

(As a guide to quality, *Guide for the design and construction of externally bonded FRP systems for strengthening concrete structures*⁽⁴⁾ presents tables of typical fibre properties for the different types of fibre reinforced polymers. Fibres of a fibre reinforced polymer would be expected to conform to these typical properties.)

The design shall use the composite properties recommended by the manufacturer, which shall be confirmed by testing in-situ samples prepared during the installation of the composites on site.

Adequate quality assurance testing shall have been undertaken to confirm the design properties of the composite, and quality control testing shall be undertaken during or post installation to ensure that the design properties are achieved.

c. Material characteristics, mode of failure, and strength reduction factors

In general, fibre reinforced polymer composite materials behave in a linearly elastic manner up to failure. They also, generally, have a significantly lower strength in compression than in tension. Externally bonded laminates or sheets are generally unsuitable for use in compression due to the impracticality of providing sufficient restraint against buckling.

The elastic moduli of fibre reinforced polymer composite materials vary widely dependent on the particular fibre type and on the mode of manufacture of the fibre reinforced polymer material. The elastic modulus of the particular composite material to be used for the strengthening shall be taken into account in the design.

For a reinforced or prestressed concrete beam strengthened using a fibre reinforced polymer composite material, three modes of failure are possible:

- i. by extensive yielding of the beam's original steel reinforcement, spalling of the compression cover concrete and moment capacity drop-off
- ii. by rupture of the fibre reinforced polymer composite flexural strengthening material
- iii. by brittle failure of the concrete in the member compression zone, or
- iv. de-bonding and peeling off of the fibre reinforced polymer composites from the substrates.

Where possible, for a strengthened concrete or steel section, the desired mode of behaviour is for the flexural steel reinforcement or structural steel section to yield prior to failure of the section, providing a noticeable increase in deflection and thereby warning of imminent failure.

In the case of failure of a concrete member by rupture of the fibre reinforced polymer composite flexural strengthening, the strain in the extreme concrete fibre in compression may be <0.003 when the ultimate tensile strain in the fibre reinforced polymer composite material is reached. As a result, the equivalent rectangular stress block adopted for concrete in the standard design procedure cannot be used.

A moment-curvature analysis, involving calculation of the neutral axis depth and strains in all the contributing materials, should be used for the analysis of the strengthened section.

In addition to the nominal strength reduction factors (ϕ) specified below, additional strength reduction factor (ψ_f in *Guide for the design and construction of externally bonded FRP systems for strengthening concrete structures*⁽⁴⁾) shall be applied to the contribution from the fibre reinforced composites to account for lower reliability of the fibre reinforced composites compared with internal steel reinforcement. For the flexural contribution of the fibre reinforced composites ψ_f is considered as 0.85.

8.5.5 continued

A further reduction factor - an environmental reduction factor (C_E) - shall be applied for the fibre reinforced composites based on exposure conditions as recommended in *Guide for the design and construction of externally bonded FRP systems for strengthening concrete structures*⁽⁴⁾.

For reinforced concrete, prestressed concrete and structural steel members, the strength reduction factors (ϕ) for flexural design of fibre reinforced polymer composite strengthening, at the ultimate limit state, shall be as follows:

- i. Where failure is preceded by a significant amount of ductile yielding, the strength reduction factor shall not be greater than $\phi=0.85$.
- ii. Where the mode of failure is non-ductile, the strength reduction factor shall not be greater than $\phi=0.75$.

The strength reduction factor (ϕ) shall not be greater than 0.75 for the following aspects of design:

- i. Laminate or sheet peeling.
- ii. Laminate or sheet development.

The strength reduction factors adopted shall ensure that a flexural mode of failure (eg by rupture of the fibre reinforced polymer composite material or concrete crushing) precedes failure by peeling or bond failure.

d. Method of analysis

Elastic analysis shall be used to analyse the structure, and no redistribution of the elastic bending moments and shear forces is permitted in view of the lack of ductility of the fibre reinforced polymer composite material. This amends NZS 3101⁽¹⁾ clause 6.3.7.

e. Strengthening of concrete members for shear

Concrete members strengthened for shear by using strips (laminates) or sheets of fibre reinforced polymer composite material shall be designed for shear in accordance with the requirements of NZS 3101⁽¹⁾ chapter 7 and chapter 9. Under these requirements, fibre reinforced polymer composite strip reinforcement shall be treated in the same manner as steel reinforcement with the stress in the fibre reinforcement corresponding to a strain of 0.004 substituted in place of the steel yield stress. Under these conditions, the contributions to shear reinforcement of the existing steel reinforcement and of the fibre reinforced polymer composite strip reinforcement may be considered additive.

In addition to the nominal strength reduction factor (ϕ), additional strength reduction factor (ψ_f in *Guide for the design and construction of externally bonded FRP systems for strengthening concrete structures*⁽⁴⁾) shall be applied to the contribution from the fibre reinforced composites to account for lower reliability of the fibre reinforced composites compared with internal steel reinforcement. ψ_f is considered as 0.95 for completely wrapped members and 0.85 for three-sided U-wraps for the shear strength contribution of the fibre reinforced composites.

Note an environmental reduction factor (C_E) shall be applied for the fibre reinforced composites based on exposure conditions as recommended in *Guide for the design and construction of externally bonded FRP systems for strengthening concrete structures*⁽⁴⁾.

8.5.5 continued

The ends of fibre reinforced polymer composite strips shall be adequately anchored in the compression zone of the concrete section to develop the design forces in the strips. In situations where a slab overlies a beam being strengthened (as with a T-beam), the preferred approach is for intermittent slots to be cut in the slab and the fibre reinforced polymer strips passed through the slab to be anchored in the compression zone (above the neutral axis) of the concrete section.

Where the strips are to be terminated below a slab, consideration shall be given to the transfer of the force in the fibre reinforced polymer strips to the 'truss' mechanism of the reinforced concrete member, and to the shear that may be induced in the concrete member above the level of the ends of the strips. (*Retrofit of reinforced concrete members using advanced composite materials*⁽³⁾ and other references in 8.7 provide guidance on this issue.)

Depending on the manufacturing process, the strength of fibre reinforced polymer composite material shear reinforcement may be significantly less locally at corners than within straight portions. This shall be taken into account in the design.

f. Design guidelines

A number of design guidelines related to bonded fibre reinforced composite materials have been published internationally. There are differences in approach between the guidelines and it is recommended that the following two manuals are adopted for concrete and steel structures respectively:

- *Guide for the design and construction of externally bonded FRP systems for strengthening concrete structures*⁽⁴⁾
- *Strengthening metallic structures using externally bonded fibre-reinforced polymers*⁽⁶⁾.

This area is the subject of evolving technology. Hence well-corroborated specialist information such as available from some manufacturers may be useful. Further guidance can also be sought from:

- *Retrofit of reinforced concrete members using advanced composite materials*⁽³⁾
- *Design guidance for strengthening concrete structures using fibre reinforced composite materials*⁽⁷⁾
- *Design and use of externally bonded FRP reinforcement for RC structures*⁽⁸⁾
- *Use of fibre reinforced polymers in bridge construction*⁽⁹⁾
- *Alternative materials for the reinforcement and prestressing of concrete*⁽¹⁰⁾

Reliance on sources other than those recommended is to be identified and justified in the structure design statement, and the road controlling authority's acceptance obtained before committing to its use.

g. Quality assurance tests

Strengthening with fibre reinforced composites shall be evaluated for conformance with the design drawings and specifications. Evaluation shall include the following, but the list is not exhaustive:

- i. fibre reinforced composite properties
- ii. installation tolerances – fibre orientation, cured thickness, width and spacing, corner radii, and lap splice
- iii. presence of delaminations
- iv. cure of resins
- v. adhesion to the substrate.

8.5.5 continued

Sample panels made on site and pull-off tests can be used to evaluate the installed strengthening system. *Guide for the design and construction of externally bonded FRP systems for strengthening concrete structures*⁽⁴⁾ provides guidance on evaluation methods.

8.5.6 Strengthening using external prestressing

a. Applicability

This clause is applicable to strengthening by externally prestressing members using conventional systems based on steel prestressing. This clause does not cover the use of fibre reinforced polymer prestressing systems. There are guidelines however, that provide advice on the design of fibre reinforced polymer tendons. The following references are provided for information only:

- *Prestressing concrete structures with FRPs*⁽¹¹⁾
- *Strengthening structures with externally prestressed tendons: literature review*⁽¹²⁾
- *Design recommendations for concrete structures prestressed with FRP tendons*⁽¹³⁾.

Specific approval shall be obtained from the road controlling authority if FRP tendons are proposed to strengthen a structure.

b. Inspection, maintenance and demolition

Adequate provision shall be made for the inspection and maintenance of external tendons.

All external and unbonded tendons shall be individually replaceable without having to restrict traffic on the highway wherever possible. Where the detailing does not enable tendons to be removed and replaced without damage to either the tendons or the structure, or without restricting traffic, a method statement defining how the tendons can be replaced shall be provided in the structure design statement. A method statement defining how the structure can be demolished shall also be provided.

c. Strengthening of concrete members

NZS 3101⁽¹⁾ provides explicitly for the design of structures with unbonded high strength steel tendons and shall be complied with for this form of strengthening, except as modified herein.

Conventionally reinforced, non-prestressed concrete members that are strengthened by external unbonded prestressing shall satisfy the serviceability limit state crack width criteria for reinforced concrete set out in NZS 3101⁽¹⁾ commentary clause C2.4.4.6. The more stringent criteria for prestressed concrete need not be complied with.

d. Strengthening of steel and composite steel - concrete members

Section 8.5.2 shall apply in respect to stresses induced in the steel sections and to the design of anchorages and deviators. In the consideration of buckling of the steel section, the prestress force may be considered as an externally applied load.

For the design of the stressing tendons, the principles and requirements of NZS 3101⁽¹⁾ clauses 19.3.1 and 19.3.6 should be applied as appropriate.

The strengthened members shall meet both the serviceability and ultimate limit state requirements of the relevant standard for structural steel design, and where the members include a composite concrete element, the relevant serviceability and ultimate limit state requirements of NZS 3101⁽¹⁾.

8.5.6 continued

The strength reduction factor (ϕ) adopted for determining the reliable flexural capacity at the ultimate limit state shall be derived from the relevant standard for structural steel design.

e. Anchorages and deviators

Anchorages and deviators for external tendons shall be designed at the ultimate limit state for a load equal to at least 95% of the ultimate tensile strength of the tendons with a value of $\phi=0.85$. Where serviceability checks are required, as for flexural cracking in concrete deviator beams, the design service load in the tendons shall be taken as the tendon load before long-term losses.

The design shall ensure that bi-metallic corrosion between the tendons and their anchorages is prevented.

f. Tendons pretensioned before being deflected

For single tendons the deflector in contact with the tendon shall produce a radius of not less than 5 times the tendon diameter for wire, or 10 times the diameter for strand. The total angle of deflection should not exceed 15°.

g. Post-tensioned tendons profile

In the absence of test results or other investigation justifying smaller values, the radius of curvature of tendons in deviators should not be less than the minimum values in table 8.1.

Table 8.1: Radius of curvature for tendons

Tendon (strand number - size)	Minimum Radius (m)
19 - 13mm and 12 - 15mm	2.5
31 - 13mm and 19 - 15mm	3.0
53 - 13mm and 37 - 15mm	5.0

h. Tendon restraint

External tendons shall be restrained in all necessary directions to avoid unacceptable second order effects due to beam deflections and tendon vibration.

i. Corrosion protection

Tendons shall be protected to ensure that their life is compatible with the life of the structure.

j. Further considerations to be taken into account

The design shall take into account the following:

- The effects of end restraint of the spans/beams being stressed, whether due to the spans being constructed integral with supports, or due to friction or elastomeric shear strain of bearings.
- The distribution of the prestress force and induced moment across all the beams making up the total cross-section, as influenced by:
 - o which beams are to be prestressed and by how much
 - o the relative stiffness of the beam elements making up the total cross-section
 - o within each span, the length over which the prestressing is to be applied and shear lag effects across the bridge deck.

8.5.6 continued

- The effects of secondary moments arising from continuity of the span or from spans being constructed integral with supports.
- The effects of shortening of the spans due to the initial prestress force and long-term creep.

k. Guidance documents

General guidance on considerations related to the design of systems for external prestressing is provided by *Materials and systems for external prestressing*⁽¹⁴⁾.

8.6 Shear strengthening and ductility enhancement of reinforced concrete columns

8.6.1 General

Strengthening shall, where appropriate, comply with, or be consistent with the requirements of the NZS 3101⁽¹⁾.

Strength reduction factors used for the assessment of reliable strength at the ultimate limit state shall not exceed those given by NZS 3101⁽¹⁾ clause 2.3.2.2.

Extensive design guidance is provided by *Seismic design and retrofit of bridges*⁽¹⁵⁾ covering both strengthening using steel plate sleeves and using fibre reinforced polymer composite materials. The design approaches and recommendations contained therein may be adopted in place of the requirements of NZS 3101⁽¹⁾ and will generally result in a more economical design.

8.6.2 Shear strengthening and ductility enhancement of reinforced concrete columns using steel sleeves

Concrete members strengthened for ductility or shear by using steel sleeves shall be designed in accordance with the requirements of NZS 3101⁽¹⁾. Alternatively, the design recommendations of *Seismic design and retrofit of bridges*⁽¹⁵⁾ may be adopted.

Strengthening to ensure the integrity of flexural reinforcing bar lap splices shall comply with the design recommendations of *Seismic design and retrofit of bridges*⁽¹⁵⁾.

8.6.3 Shear strengthening and ductility enhancement of reinforced concrete columns using fibre reinforced polymer composite materials

Concrete members strengthened for ductility or shear by using fibre reinforced polymer composite material shall be designed in accordance with the requirements of NZS 3101⁽¹⁾. Under these requirements, fibre reinforced polymer composite strip reinforcement shall be treated in the same manner as steel reinforcement with the stress in the fibre reinforcement corresponding to a strain of 0.004 substituted in place of the steel yield stress. Under these conditions, the contributions to confinement or shear reinforcement of the existing steel reinforcement and of the fibre reinforced polymer composite strip reinforcement may be considered additive. Alternatively, the design recommendations of *Seismic design and retrofit of bridges*⁽¹⁵⁾ may be adopted.

Strengthening to ensure the integrity of flexural reinforcing bar lap splices shall comply with the design recommendations of *Seismic design and retrofit of bridges*⁽¹⁵⁾.

8.7 References

- (1) Standards New Zealand NZS 3101.1&2:2006 *Concrete structures standard*.
- (2) Highways Agency (1994) BA 30/94 *Strengthening of concrete highway structures using externally bonded plates*. TSO, London, United Kingdom.
- (3) Wang YC (2000) *Retrofit of reinforced concrete members using advanced composite materials*. Department of Civil Engineering research report 2000-3, University of Canterbury, Christchurch.
- (4) American Concrete Institute (2008) *Guide for the design and construction of externally bonded FRP systems for strengthening concrete structures*. ACI Report 440.2R-08, Detroit, MI, USA.
- (5) Parliamentary Counsel Office (1992) *Building Regulations 1992. Schedule 1 The building code*. Wellington.
- (6) Construction Industry Research and Information Association (2004) *CIRIA C595B Strengthening metallic structures using externally bonded fibre-reinforced polymers*. London, United Kingdom.
- (7) The Concrete Society (2012) *Design guidance for strengthening concrete structures using fibre reinforced composite materials. 3rd edition*. Technical report 55, The Concrete Society, United Kingdom.
- (8) Federation International du Béton (2001) *Design and use of externally bonded FRP reinforcement for RC structures*. *fib Bulletin 14*, Lausanne, Switzerland.
- (9) Keller T (2003) *Use of fibre reinforced polymers in bridge construction*. Structural Engineering Documents 7, International Association for Bridge and Structural Engineering, Zurich, Switzerland.
- (10) Clarke JL (1993) *Alternative materials for the reinforcement and prestressing of concrete*. CRC Press, Boca Raton, FL, USA.
- (11) Campbell I (2008) *Prestressing concrete structures with FRPs*. Manual No 5, ISIS Canada.
- (12) Nordin H (2005) *Strengthening structures with externally prestressed tendons: literature review*. Technical report, Luleå University of Technology, Sweden.
- (13) Dolan CW, Hamilton III HR, Bakis CE and Nanni A (2001) *Design recommendations for concrete structures prestressed with FRP tendons*. Report for FHWA contract DTFH61-96-C-00019.
- (14) Federation Internationale du Béton (1996) *Materials and systems for external prestressing*. FIP report, Lausanne, Switzerland.
- (15) Priestley MJN, Seible F and Calvi GM (1996) *Seismic design and retrofit of bridges*. John Wiley & Sons Inc, New York, NY, USA.

Appendix A Bridge widths and clearances

In this section

	Section	Page
A1	General	A-2
A2	Bridge deck widths	A-6
A3	Vertical and horizontal clearances	A-11
A4	References	A-13

Superseded

A1 General

A1.1 General

- a. In assessing the appropriate width for a structure, a designer should take into account its context and purpose, as well as its value for money. Consideration should be given to its current and future use, particularly in catering for vulnerable users and connectivity to the surrounding network.
- b. As a general principle, the widths of traffic lanes and shoulders, together with any additional facilities for pedestrians, cyclists and equestrians on the bridge shall be consistent, wherever practicable, with those of the road on the approaches. Where there are variations, the transitions between these shall be effected at a rate appropriate to the speed environment in order to minimise the impact on the lane edge-line and driving alignment.
- c. Typical bridge deck details for various one and two-lane situations are illustrated in figure A1. These details are indicative and should be considered as guidance when considering the site specific constraints of individual cases.
- d. The geometric requirements presented in tables A1 to A6 and figures A1 and A4 apply to state highways and may apply to non-state highways. Any variation from these requirements shall be at the discretion of the road controlling authority.
- e. The 'desirable' values given in the tables are generally preferred but partial or full reductions to the 'minimum' values may be acceptable based on value for money.

The preparation of the business case and the structure design statement shall take account of all relevant factors and provide a balanced value for money assessment to provide the optimum outcome for the project. This assessment could include different options for a decision by the road controlling authority.

Further information on the derivation of the desirable values and the appropriate process is provided in the guidance notes in A2(c).
- f. The 'minimum' values given in the tables are the lowest acceptable value for a dimension or parameter. These values should be exceeded wherever practicable.
- g. Specific consideration shall be given to providing for cyclists, over and above the requirements of pedestrians. (Refer to the Austroads *Guide to road design* part 3 Geometric design⁽¹⁾.)

A1.2 Medians

- a. Where the traffic lanes are separated by a median, it is desirable that the widths of the median and the type and level of protection provided by a safety barrier within the median are consistent with the approaches to the bridge.
- b. Where the requirements of (a) are not practicable, the width of the median may be varied provided that the tapers applied to any changes in width are consistent with the speed environment and provide a smooth driving alignment.

A1.3 Use of kerbs on bridges

A1.3.1 General

- i. Kerbs should only be used if any of the following apply:
 - As a continuation of a kerb on the approach with matching profile type. Note that a kerb on the bridge has a maximum height of 100mm and therefore a transition may be required from the approach kerb.
 - As delineation for a footpath.
 - To provide control of surface water.

A1.3 continued

- ii. Examples of common kerb profiles are shown in figure A2.
- iii. Kerb height should be limited to a maximum of 100mm (channel lip to kerb top) so that they do not adversely affect the performance of the edge protection or interfere with bicycle pedals.
- iv. Where a kerb is required adjacent to a road safety barrier, in order to avoid adverse effects on the barrier performance, it is desirable that the vertical face of the kerb be placed vertically below the barrier face. If this is not practical, notwithstanding the requirements of (v), then the vertical face of a vertical or semi-mountable kerb should be no greater than 200mm in front of the face of the barrier. This restriction does not apply to the location of fully mountable kerbs.
- v. Where a kerb is provided adjacent to a footpath
 - in >50km/h
 - o A mountable profile is preferred and must be used where the edge protection is semi-rigid.
 - o A semi-mountable kerb may be used where the edge protection is rigid.
 - o A minimum offset of 1.5m must be provided from the kerb face to the face of the edge protection.
 - o For a single lane bridge, the footpath may be reduced to 1.0m provided that the kerb does not have a vertical profile.
 - in ≤50km/h
 - o A vertical profile may be used where it is present on the approaches.

A1.3.2 Barrier kerbs

- i. 'Barrier kerb' is the term traditionally applied only to the kerb whose profile approximates to that given in B2.7.
- ii. Barrier kerbs shall not be used on new structures. They may only be used on existing structures in exceptional circumstances with the agreement of the road controlling authority. Historically, they were intended to provide additional restraint to errant vehicles where the side protection was inadequate.

A1.4 Side protection

The distance from the face of a non-rigid traffic barrier to the deck edge is required to accommodate the designed deflection of the barrier under vehicle impact and keep the vehicle wheels on the deck, as described in table A2. On single-lane bridges only the distance may be reduced to 270mm for semi-rigid barriers (figure A1 - types 3 and 4), where the slab is sufficiently deep for the barrier posts to be fixed to the side of the deck. This is on the basis that the vehicle impact angle will usually be smaller due to the restricted width of carriageway, resulting in smaller barrier deflections.

Where there is a footpath (or combined facility catering for more than one of pedestrians, cyclists and equestrians), there are two options:

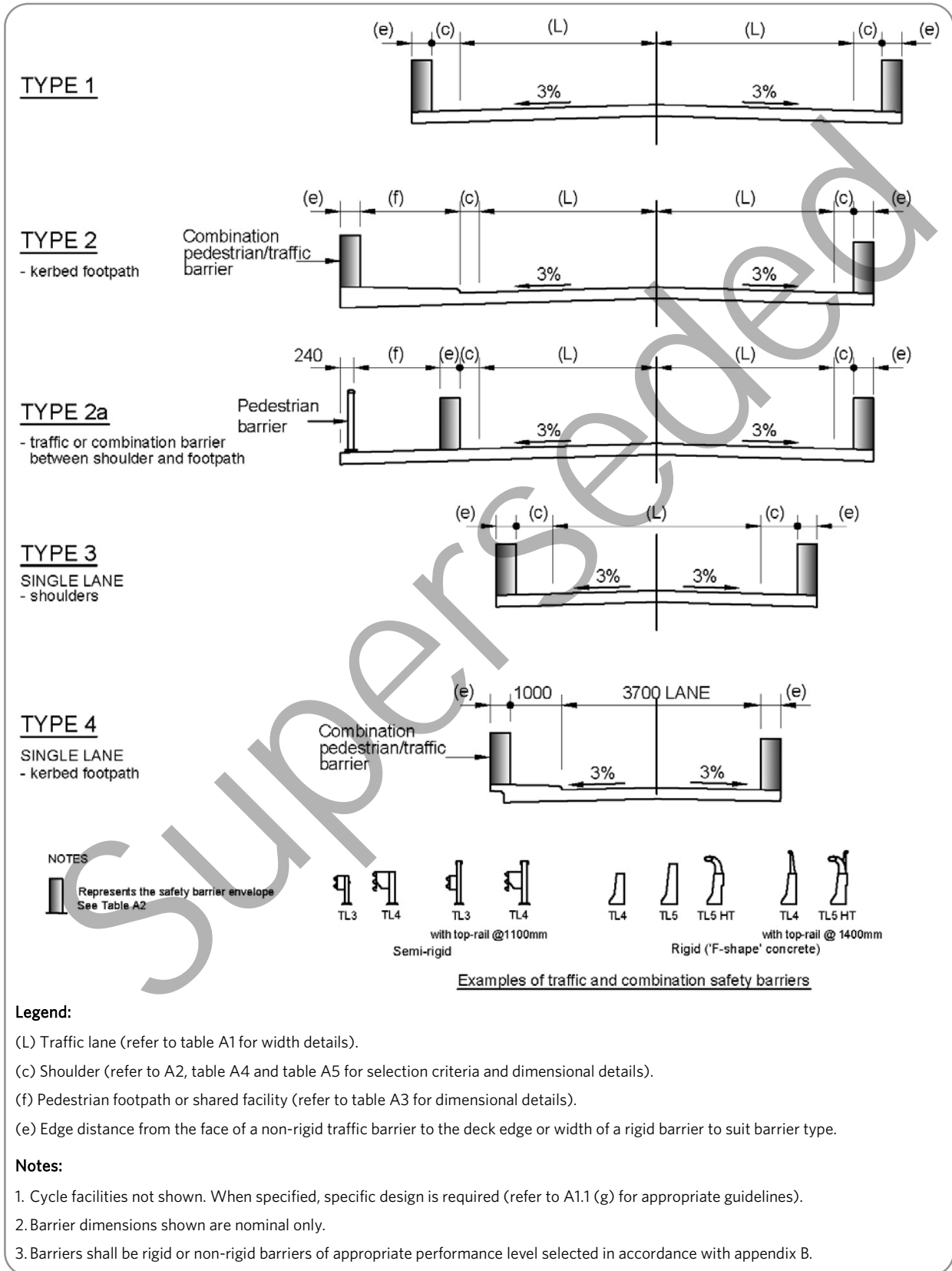
- i. to use a kerb between the shoulder and the footpath (or combined facility) and a combination barrier (traffic safety barrier with an appropriate top-rail) at the edge of the deck.
- ii. to place a traffic barrier between the shoulder and the footpath (or combined facility) with a pedestrian (cyclist or equestrian) barrier at the edge of the deck.

Option (i) is the normal arrangement. Option (ii) should be considered where there is likelihood of prolonged pedestrian presence or the alignment of the bridge increases the risk of a vehicle losing control (eg outside of curves).

A1.4 continued

Where the traffic barrier is placed between the shoulder and the footpath, consideration should be given to providing additional height protection. Furthermore, careful consideration should be given to the termination of these barriers off the bridge.

Figure A1: Typical bridge deck details



A1.5 Footpath

The term 'path' has been used to refer to facilities for the exclusive or shared use of pedestrians, cyclists and equestrians. This differs from the *Austrroads Glossary of terms*⁽²⁾ in respect of facilities on bridges.

The need to cater for pedestrians, cyclists and equestrians on a bridge shall generally be determined at scheme assessment stage, according to the local and regional pedestrian, cycle and equestrian demand. The width of these facilities shall be as defined in table A3.

A footpath behind a non-rigid barrier may be reduced in width at the posts, on the basis that this maintains clearance to the rear of the barrier rail.

The minimum width of combined facilities should be consistent with that of the approaches to the bridge. This may be increased to cater for future demand.

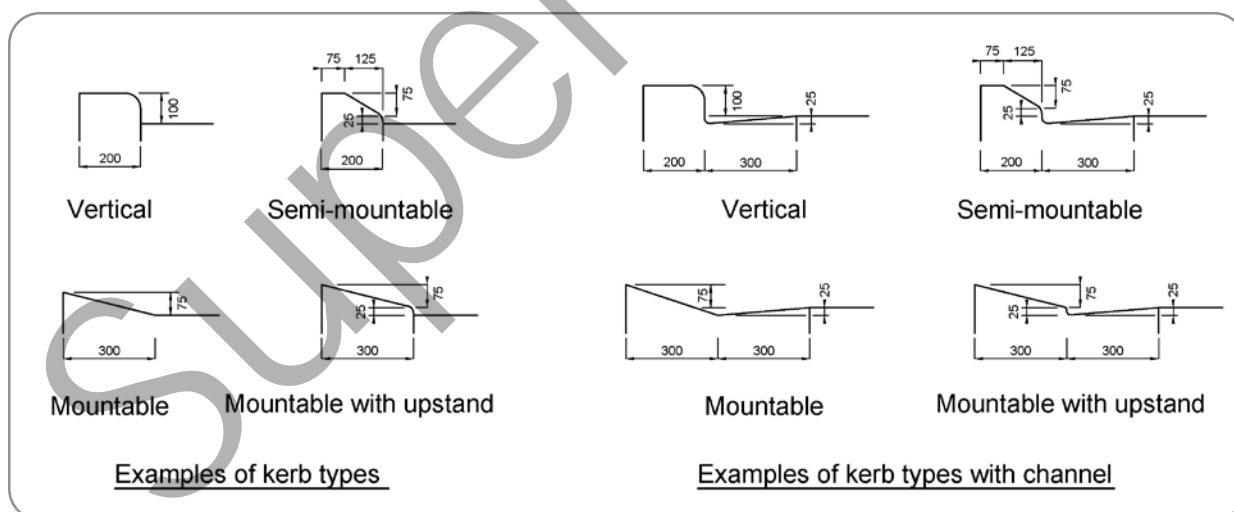
Further guidance on provisions appropriate for pedestrians, cyclists and equestrians may be found in the following publications:

- For pedestrians and cyclists:
 - *Austrroads Guide to road design part 3*⁽¹⁾ and part 6A *Pedestrian and cyclist paths*⁽³⁾.
- For equestrians:
 - *TA 91 Provision for non-motorised users*⁽⁴⁾.
 - *TA 90 The geometric design of pedestrian, cycle and equestrian routes*⁽⁵⁾.

A1.6 Bridges for non-motorised users

For a dedicated pedestrian/cycling/equestrian bridge, the width should be appropriate for the required and anticipated network demand. A clear width of 3.0m is considered desirable for a shared facility.

Figure A2: Examples of typical kerb profiles for bridges



A2 Bridge deck widths

- a. Deck width is the sum of the individual elements required to make up the desired bridge cross-section. A flowchart to aid in the determination of bridge widths is shown in figure A3. Bridge carriageway requirements are:

- i. Full approach road carriageway

The full width of the approach traffic lanes and shoulders required for a road carrying the expected AADT (annual average daily traffic) 30 years ahead shall be provided across bridges unless otherwise agreed by the road controlling authority.

- ii. All other situations

The carriageway width required shall be determined by the minimum traffic lane width given in table A1. Note that traffic lanes may need to be widened on curved bridges to accommodate the tracking widths required by large commercial vehicles.

Edge clearances are selected using the following criteria:

1. Provide kerbs, shoulders and footpaths on the structure consistent with the approach road cross-section;
 2. Where a segregated (off-road) pedestrian, cycle or equestrian facility is provided on the approach, this segregation should desirably be continued over the bridge (figure A1 - type 2a).
 3. Where an approach footpath is contiguous with the carriageway or shoulder on the approach, the edge treatment (kerb) shall desirably be continued across the bridge (figure A1 - type 2).
 4. The kerb face or channel low point shall be placed at the back of the shoulder (ie the width of the kerb is part of the footpath and the width of the channel is part of the shoulder).
 5. Where the anticipated usage of the path is high, it will be used by vulnerable users or will be a shared facility, preference should be given to inserting a barrier between the footpath or shared path and the shoulder (figure A1 - type 2a). In this case, specific consideration should be given to the treatment of the barrier terminals beyond the bridge and to maximising dimension (c) to allow additional clearance for cyclists. Note that an additional barrier is required on the outside of the path that should be appropriate for the usage (eg pedestrian barrier 1.1m high, cyclist barrier 1.4m high, equestrian barrier 1.8m high).
 6. Where there is neither kerbing nor footpath on the approach road then clearance between a safety barrier and the adjacent traffic lane shall be provided in accordance with table A5.
- b. The carriageway widths required for standard, straight, 2 x 3.5m lane, state highway bridges relating to the traffic volume from A2(a)(i) and (ii), are summarised in table A6. Note that for AADT <2000 vehicles per day (vpd), the current standards for approach carriageway widths may be less than those recommended for bridge widths.
-

A2 continued

c. Guidance notes

The philosophy applied to the process used to establish the deck width has been changed to be more consistent with the rest of the highway network. Essentially, the designer should take into account the amenity provided by the road cross section on each side and at both ends of the structure and the need for future-proofing.

For example, if a rural highway has a typical cross-section of 3.5m lanes and 1.5m shoulders, without kerbs or any specific facilities for pedestrians then this will be the default cross-section over the structure. If there is a kerb on the approach however, it would be prudent to establish why the kerb is there in the first place (eg surface water control or delineation – particularly if there is a footpath or shared path). The kerb should then either be continued over the bridge or aligned with the barrier system appropriately.

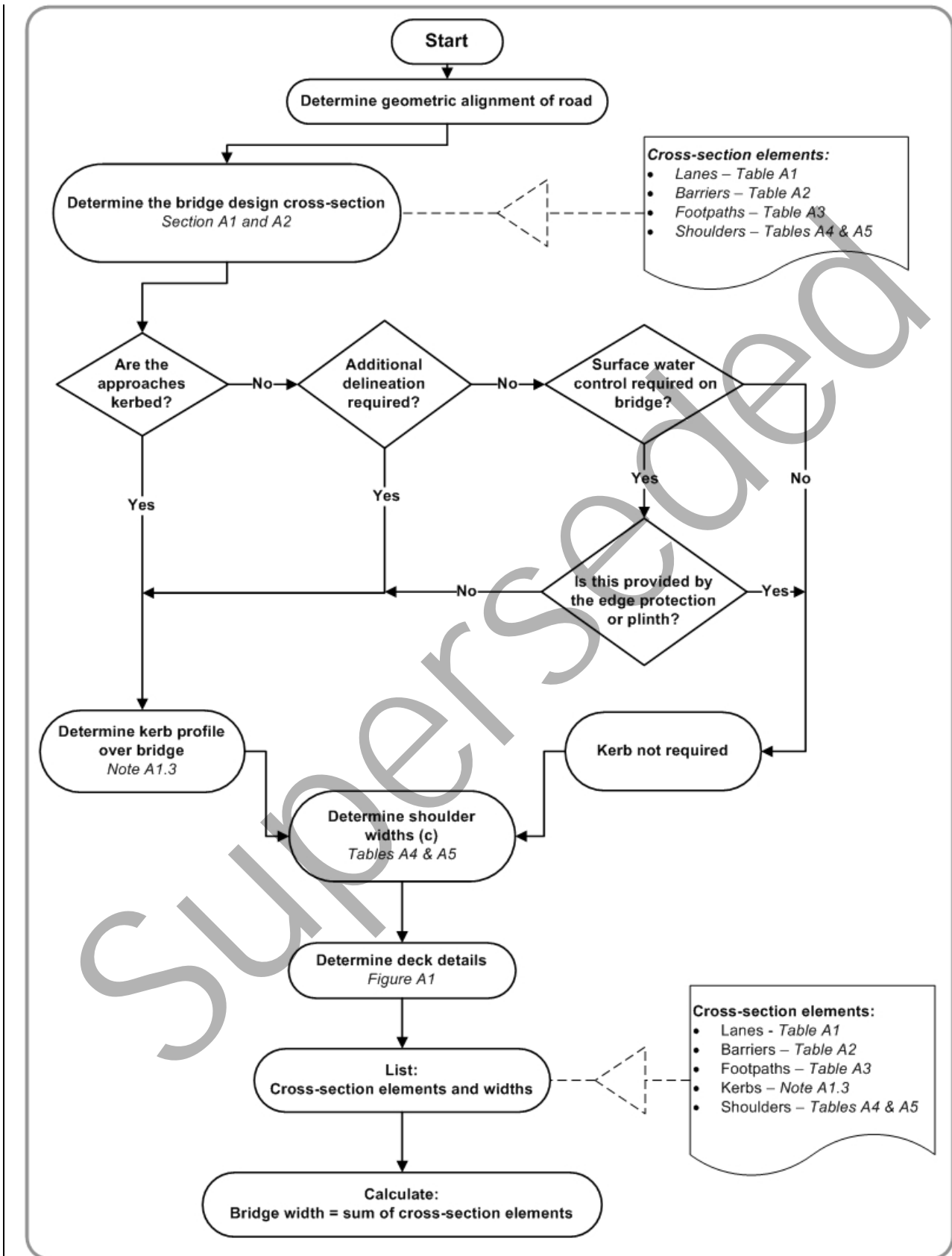
Consideration should also be given to future-proofing the structure, particularly in respect of pedestrians in line with local authority policy. If a footpath is to be provided on one or both sides of the structure, then this will usually be delineated by a mountable or semi-mountable kerb. If this is just a footpath, then the desirable shoulder width should be considered in order to cater for cyclists. If this is to be a shared path, then it will usually be wider than just a footpath and a mountable kerb would be preferred to ensure user safety. The minimum shoulder width may be considered appropriate for shoulders adjacent to shared paths.

If the shared path is two-way, or where the pedestrian or cyclist traffic may be tempted to stop on the structure (eg a lookout), then consideration should be given to separating this facility from the highway by placing a road safety barrier system at the back of the shoulder. This barrier system may have a pedestrian or cycle rail added as required. Careful consideration should be given to the barrier system terminal end details to ensure that the required protection of the roadside hazard is continuous on the bridge approaches. This configuration should be considered where there an 'off-road' facility that uses the structure to cross a hazard even if this facility is not adjacent to the highway on the approach.

Table A1: Traffic lanes

Description	Width (L)
The width of traffic lanes shall be as specified in the Austroads <i>Guide to road design</i> Part 3 ⁽¹⁾ section 4.2.4 unless specified otherwise by the road controlling authority. Good geometric design practice including curve widening criteria to accommodate heavy vehicle tracking (particularly relevant to low radius horizontal curves) should be applied to determine appropriate bridge and approach traffic lane widths.	3.50m (desirable)

Figure A3: Flowchart to determine bridge width



A2 continued

Table A2: Bridge barriers

Element	Horizontal dimension (e)
Rigid traffic barrier (actual dimension governed by barrier system employed)	400mm (TL-4 monolithic 915mm high) 450mm (TL-5 HT type 1270mm high) (nominal)
Inside face of pedestrian barrier to edge of deck (top fixed)	240 mm (minimum)
Traffic face of semi-rigid safety barrier to edge of deck (top fixed) - based on nominal test deflection	800mm (TL-3 W-beam) 900mm (TL-4 Thrie-beam) (minimum)

Table A3: Bridge footpaths

Footpath width	Horizontal dimension (f)
In general situations:	
– desirable	2.00m
– shared desirable (pedestrian and cyclist and/or equestrian)	2.50m
– minimum (with kerb)	1.50m
– minimum (without kerb)	1.30m
Behind a semi-rigid barrier post	
– desirable	1.70m
– minimum	1.00m

Table A4: Clearances between kerbs and adjacent traffic lanes (shoulder widths)

Kerb type on approach	Kerb type on bridge	Shoulder width (c)
Kerbed	Preferred mountable or semi-mountable to match approach	See table A5
	Vertical kerb - to match approach road kerb only in speed environment of 50km/h or less ¹	1500mm desirable (600mm minimum)
No kerb	No kerb (preferred) or mountable	See table A5

Notes:

- Where a kerb is not present on the approach, the preference is to not have a kerb over the bridge. However, if one is required for delineation or control of surface water then a mountable profile should be used.
- Where a kerb is used, the face of kerb should be placed at the back of the shoulder
- Desirable width should be used for cyclist safety
- For cycle facilities refer to A1(f).

A2 continued

Table A5: Clearances between bridge safety barriers and adjacent traffic lanes (shoulder widths)

For use only where the approach road cross-section cannot be continued over the structure or the shoulder width on the approach is less than the desirable value.

Road type		Shoulder width (c)
Low volume one-lane or two-lane roads (AADT <500)		600mm desirable 300mm minimum
Medium volume two-lane roads:		
– AADT 500 - 2000		750mm desirable 600mm minimum
– AADT 2000 - 4000		1000mm desirable 600mm minimum
High volume two-lane roads (AADT >4000)		1500mm desirable 1200mm minimum
Divided roads and motorways	Nearside (LHS)	2500mm desirable 1200mm minimum
	Median (RHS)	1600mm desirable ^{8,9} 600mm minimum

Notes:

- Traffic volumes are expected AADT 30 years ahead.
- Desirable clearances shall apply where the approach road cross-section cannot practicably continue over the bridge or the shoulder widths on the approaches are less than the desirable value.
- Minimum clearances should only be used in extreme conditions, ie where it is physically impracticable to provide the normal clearance. There should be compelling reasons documented to justify the use of reduced clearances.
- For cycle facilities refer to A1(f).
- Clearances apply where shown in figure A1.
- Clearances should be increased on the inside of curves as required to provide the appropriate sight distance.
- Clearances do not satisfy shy-line requirements to Austroads *Guide to road design part 6 Roadside design, safety and barriers*⁽⁶⁾ table 6.4.
- Based on a rigid barrier.
- Where split structures are used for dual carriageways, the desirable shoulder width shall be used at the right hand edge of the running lane.

Table A6: Two-lane state highway bridge carriageway widths

AADT (vpd)	Desirable carriageway width (m)	Minimum carriageway width (m)
>4000	10.0 (2x3.5 + 2x1.5)	9.4 (2x3.5 + 2x1.2)
2000 - 4000	9.0 (2x3.5 + 2x1.0)	8.2 (2x3.5 + 2x0.6)
500 - 2000	8.5 (2x3.5 + 2x0.75)	8.2 (2x3.5 + 2x0.6)
<500	8.2 (2x3.5 + 2x0.6)	7.6 (2x3.5 + 2x0.3)

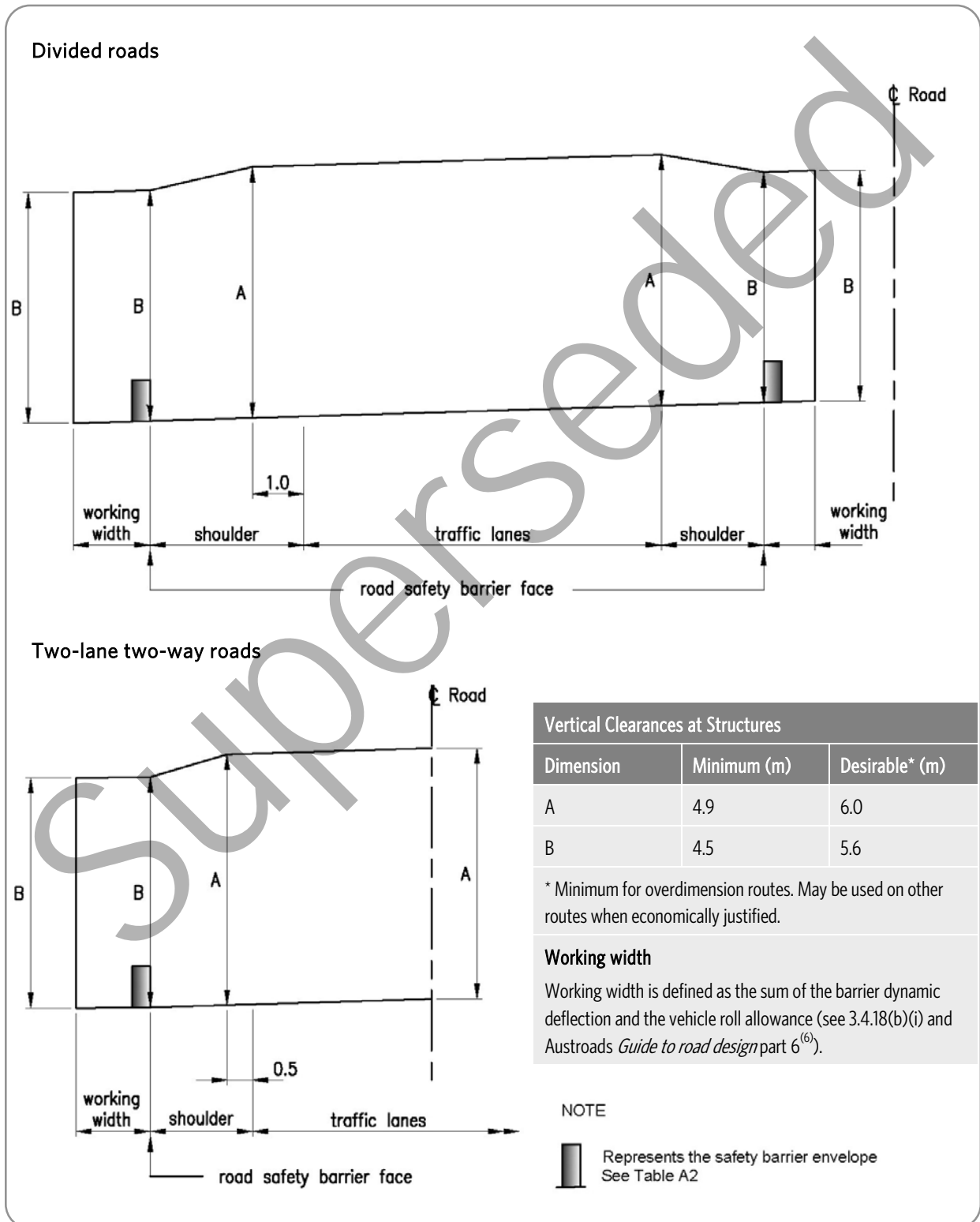
Notes:

- Traffic volumes are expected AADT 30 years ahead.
- See notes associated with table A5.

A3 Vertical and horizontal clearances

Vertical and horizontal clearances at all overhead or adjacent obstructions shall conform with figure A4.

Figure A4: Vertical and horizontal clearances



A3 continued

Notes to figure A4:

1. Where the NZTA has resolved that a state highway, or part of a state highway, is an overdimension load route, to allow for the passage of overdimension loads, all new structures crossing the route shall provide a minimum vertical clearance of 6.0m over a carriageway width of at least 10.0m. The effects of truck tracking on curves shall also be allowed for.
 2. All overhead clearances shall be measured vertically.
 3. Lateral clearances shall also be checked for sight distance on curved alignments.
 4. Overhead clearances to footpaths shall be as large as practical, but not less than 2.5m.
 5. Design vertical clearances given in figure A4 shall be increased where appropriate to make provision for settlement and road surfacing overlays. As a guideline, provide a minimum of 100mm more than the design vertical clearance where an overlay is anticipated.
 6. Where a barrier is not required, the working width dimension shall be replaced by a distance of 1.5m (urban) and 2.0m (rural).
 7. Vertical clearances at pedestrian bridges shall be:
 - a. At least 200mm greater than adjacent traffic bridges, but not less than 5.1 m.
 - b. At least 6.2m where there are no adjacent traffic bridges over the road crossed by the footbridge between the footbridge and roads or ramps intersecting the underlying road.
 8. For bridges over railway lines, Kivirail (the New Zealand Railways Corporation) shall be consulted on their requirements for any particular site location.
-

Superseded

A4 References

- (1) Austroads (2010) *Guide to road design*. Part 3 Geometric design, AGRD03-10. Sydney, NSW, Australia.
 - (2) Austroads (2014) *Austroads glossary of terms*, AP-C87-14. Sydney, NSW, Australia.
 - (3) Austroads (2009) *Guide to road design*. Part 6A Pedestrian and cyclist paths, AGRD06A-09. Sydney, NSW, Australia.
 - (4) Highways Agency (2005) TA 91/05 *Provision for non-motorised users*. TSO, London, United Kingdom.
 - (5) Highways Agency (2005) TA 90/05 *The geometric design of pedestrian, cycle and equestrian routes*. TSO, London, United Kingdom.
 - (6) Austroads (2010) *Guide to road design*. Part 6 Roadside design, safety and barriers, AGRD06-10. Sydney, NSW, Australia.
-

Superseded

Appendix B Barrier systems on structures

In this section

	Section	Page
B1	General	B-2
B2	Types of barrier system and their applications	B-2
B3	Barrier performance selection method	B-4
B4	Barrier acceptance criteria	B-10
B5	Standard solutions	B-11
B6	Side protection design criteria	B-11
B7	Geometric layout, end treatment and transitions - the NZTA's requirements	B-16
B8	Non-proprietary bridge barrier system	B-17
B9	References	B-22

B1 General

B1.1 General

This appendix provides guidelines for determining appropriate barrier performance levels and guidance on types of barrier, their application and design. The following is a summary of the topics covered:

- B2 Types of barrier system and their applications
- B3 Barrier performance selection method
- B4 Barrier acceptance criteria
- B5 Standard traffic barrier solutions
- B6 Barrier system design criteria
- B7 Geometric layout (end treatment and transitions)

Median barriers on separated structures shall be treated as side protection.

B2 Types of barrier system and their applications

B2.1 General

The selection of an appropriate barrier system for any structure is an important safety process. The level of protection should be not less than that provided at the roadside on the approaches to the structure and any hazard protected by that barrier. This level of protection should be applied to the 'length of need' required to adequately protect the hazard (*Austrroads Guide to road design Part 6 Roadside design, safety and barriers*⁽¹⁾).

The barrier system shall consist of one of the alternatives listed below for each situation except where a 'no barrier' solution is deemed acceptable in accordance with B3.1.6. The required barrier performance level and subsequent barrier selection shall be appropriate to that required by any roadside hazard in the vicinity of the structure and take into account B3 (traffic) and B2.4 (pedestrian, cyclist and equestrian).

NZTA M23 *Specification for road safety barrier systems*⁽²⁾ covers barrier systems accepted for installation on the state highway network.

Where required, barriers shall be installed so that structures comply with the *Building code*⁽³⁾.

B2.2 Semi-rigid barrier

A semi-rigid barrier is defined as a post and continuous rail system which restrains vehicles by absorbing energy during deformation of the system and of the vehicle.

B2.3 Rigid barrier

A rigid barrier is defined as a barrier designed so that there will be no movement of the barrier system, other than elastic straining during a crash involving the design vehicle. They include continuous concrete barriers and metal post and rail systems that behave in a rigid manner. Rigid barriers shall be used in preference to semi-rigid barriers in the following situations:

- i. For architectural consistency, where rigid barriers are used on the approaches.
- ii. Where it is necessary to provide additional protection for a particularly vulnerable structural element or sensitive hazard (TL-5 and greater).
- iii. Where deflection of a semi-rigid barrier system cannot be accommodated or is undesirable.

B2.4 Pedestrian barrier

A pedestrian barrier is defined as a post and rail system that restrains pedestrians. Pedestrian barriers may be of two types, subject to compliance with the *Building code*⁽³⁾:

- General type, which consists of a series of posts supporting a top rail, below which is any system of members between which the spaces are not more than 300mm in at least one direction.
- Vertical bar type, which consists of a series of posts supporting a top rail, below which are vertical bars, between which the spaces are not more than 100mm. The vertical bars shall be attached only at the top and bottom.

Pedestrian barriers shall not be used for the restraint of vehicles and should only be used at the outer edge of footpaths.

The vertical bar type shall be used in the following situations:

- i. In locations where children less than six years of age are expected to frequent the structure or on known or nominated school walking routes.
- ii. Where the structure crosses over or is above building properties, city streets, main highways, motorways, or railways.
- iii. Where the footpath is at a general height of more than 5m above ground or water level.
- iv. Where the volume of pedestrian traffic is exceptionally heavy or likely to become so.
- v. Where there are circumstances likely to cause alarm to pedestrians, such as a river prone to violent, rapid flooding, that demand a higher level of pedestrian protection be provided.

The general type may be used elsewhere.

B2.5 Cyclist and equestrian barriers

The principles described in B2.4 also apply to the protection of cyclists and equestrians.

Cyclist and equestrian barriers should be designed appropriately in accordance with B6.4 et seq. Unless specified otherwise, cyclist and equestrian barriers should also incorporate the relevant requirements for pedestrians as required by the *Building code*⁽³⁾.

B2.6 Combination barrier

A combination barrier shall satisfy the requirements for a traffic barrier and for pedestrians, and shall provide additional protection for cyclists and equestrians as required. This may be where extra provision for safety from falling is required or where significant cyclist or equestrian presence is anticipated.

Having established the level of protection to be provided for the hazards presented to traffic and pedestrians, consideration must be given to the additional protection required when there are facilities provided for cyclists and equestrians. Depending on the facility provided, the additional design requirements are in B6.

The provision of specific facilities for pedestrians, cyclists and equestrians within the bridge cross-section is covered by appendix A.

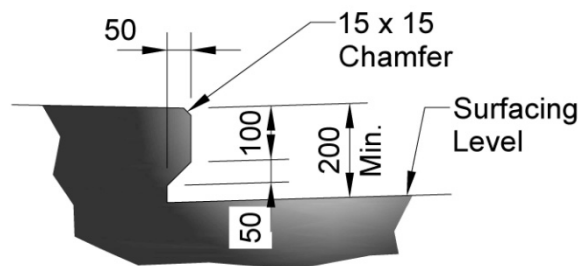
B2.7 Barrier kerb

A barrier kerb is defined as a high kerb that protects pedestrians by restraining the wheels of vehicles. Historically, this type of kerb was typically used adjacent to a footpath and provided additional restraint to errant vehicles because the side protection on the bridge was inadequate.

Barrier kerbs shall not be used on new structures. They may only be used on existing structures in exceptional circumstances with the agreement of the road controlling authority.

B2.7 continued

A typical barrier kerb shape is detailed below:



B2.8 Barrier configurations for specific situations

- a. Traffic lane (with shoulder) adjacent to deck edge:
 - i. semi-rigid barrier
 - ii. rigid barrier (eg concrete with or without top rail or metal post and rail).
- b. Traffic lane (with shoulder) adjacent to footpath:
 - i. The use of a kerb between the carriageway and the footpath requires a semi-rigid or rigid barrier at the outer edge of the footpath.
 - ii. Semi-rigid or rigid barrier between the carriageway and the footpath requires a pedestrian, cyclist or equestrian barrier at the outer edge of the footpath.
- c. Separated (off-road) footpath, cycle path or bridle path:
 - i. Semi-rigid barrier or combination barrier between the carriageway and the footpath requires a pedestrian/cyclist/equestrian barrier at the outer edge of the footpath.
 - ii. Rigid barrier (with or without additional rail) between the carriageway and the footpath; requires a pedestrian/cyclist/equestrian barrier at the outer edge of the footpath.

The standard cross-sections shown in figure A1 illustrate various possible combinations of these alternatives.

B3 Barrier performance selection method

A risk assessment approach shall be used to indicate the likely barrier performance level required at a structure site. This assessment must consider both the structure and the associated approaches.

The NCHRP Report 350 *Recommended procedures for the safety performance evaluation of highway features*⁽⁴⁾ test level corresponding to each barrier performance level is presented in table B1.

B3 continued

Table B1: Barrier performance levels and equivalent NCHRP Report 350⁽⁴⁾ test levels

Barrier performance level	Equivalent NCHRP Report 350 ⁽⁴⁾ test level
Special	No equivalent test
6	TL-6
5	TL-5
4	TL-4
3	TL-3

This risk assessment approach applies to barriers for new structures and replacement barriers for existing structures. It provides a barrier selection method based on a risk approach that encompasses traffic conditions and the structure environment.

This method focuses on the exposure to the risk, ie traffic volume, rather than the severity of outcome. Therefore B3.1 also provides specific criteria for the selection of an appropriate barrier performance level based on severity of outcome.

Figure B1 is to be followed for the selection of an appropriate barrier at a particular structure location.

B3.1 Performance levels

B3.1.1 General

The performance of the edge protection (barrier) system should be commensurate with the object being protected from the traffic or that the traffic is being prevented from hitting. The philosophy applied to assess the performance level should be consistent with that applied to the adjacent highway network.

There are five test levels available to the designer depending on the context of the structure. These range from the minimum TL-3 (not usually allowable on new state highway structures) to a 'special performance' barrier designed to protect a specific hazard and vehicle.

The following sections describe the context requiring each level of protection. Designers should start with the conditions requiring TL-5 and then work through to TL-3 as necessary. Should the requirements for a TL-5 barrier be exceeded (B3.1.2) then a full risk assessment should be carried out as part of the selection of a TL-6 or 'special performance' barrier system.

B3.1.2 Barrier performance level 5

A barrier performance level 5 barrier shall be the standard side protection barrier for structures carrying a divided multi-lane state highway.

A barrier performance level 5 barrier provides for the containment of buses and medium mass vehicles on high speed carriageways, major carriageways, and urban roads with a medium to high level of mixed heavy vehicles, and site specific risk situations.

A barrier performance level 5 barrier system shall be provided as edge protection for a structure where the number of commercial vehicles passing over the structure exceeds either of the following values:

- a. on roads with a posted speed limit greater than 60km/h: 2000 heavy commercial vehicles per day, or
- b. on roads with a posted speed limit of 60km/h or less: 4000 heavy commercial vehicles per day.

B3.1 continued

A barrier performance level 5 barrier system shall be provided as edge protection for a structure where one or more of the following conditions exist on the road or hazard being spanned by the structure:

- c. major roads with AADT (annual average daily traffic) of 10,000 or more vehicles per day (vpd)/lane, or
- d. roads with AADT of 40,000 or more vpd, or
- e. electrified railways, or over goods lines carrying significant quantities of either noxious or flammable substances, or
- f. high occupancy land such as houses, factories, areas for congregating, etc.
- g. the height differential is more than 10 metres
- h. water depth is greater than 3 metres
- i. the highway crossing the structure is on a horizontal curve with a radius of 600m or less.

The AADT referred to above is the estimated construction year AADT (refer to B3.2 for further explanation of this). Refer B3.2.3 for heavy commercial vehicle definitions.

Consideration should only be given to use of a higher performance level barrier if the conditions detailed in B3.1.5 apply.

B3.1.3 Barrier performance level 4

A barrier performance level 4 barrier provides for the appropriate containment of cars, heavy utilities and light to medium mass commercial vehicles on main (single lane) carriageways.

This is the minimum standard acceptable for all new state highway structures unless site specific acceptance is obtained from the National Manager Traffic & Safety.

B3.1.4 Barrier performance level 3

A barrier performance level 3 barrier provides for the safe containment of light vehicles, with occasional use by medium-heavy commercial vehicles, such as stock trucks and/or farm equipment.

These barriers should generally be considered for use on structures on non-state highway rural roads:

- a. with low traffic volumes (typically less than 500vpd) and in low speed environments (70km/h or less); or
- b. short structures (<10m) with low height above ground (<1.5m), or across shallow water (<1.0m).

B3.1.5 Special barrier performance level (test level 6 and above)

1. Barrier performance level 6

A barrier performance level 6 barrier shall only be provided at specific locations where agreed by the road controlling authority, where there is a high probability of loss of life or serious injury due to a vehicle penetrating the barrier.

B3.1 continued

A barrier performance level 6 barrier shall only be considered if the commercial traffic volume criteria detailed for barrier performance level 5 (refer B3.1.2(a) and (b)) are expected to be exceeded for sustained periods and any of the crossed environment or height conditions stated in B3.1.2(c) to (i) apply, subject to an appropriate risk and benefit-cost analysis justification to the *NZTA Economic evaluation manual*⁽⁵⁾.

2. Special barrier performance

A special performance level, non-penetrable barrier shall only be provided at specific locations where agreed by the road controlling authority, where vaulting by high mass and high centre of gravity vehicles must be prevented.

Such a barrier shall be considered if the commercial traffic volume criteria detailed for barrier performance level 5 (refer B3.1.2(a) and (b)) are expected to be exceeded for sustained periods and at least two of the crossed environment or height conditions stated in B3.1.2(c) to (i) apply at the same time, subject to benefit-cost justification.

There is no equivalent NCHRP Report 350⁽⁴⁾ test level for this performance level. A 44t articulated heavy commercial vehicle (HCV) shall be the controlling vehicle in determining barrier strength with the remaining test requirements as per TL-6 (NCHRP Report 350⁽⁴⁾).

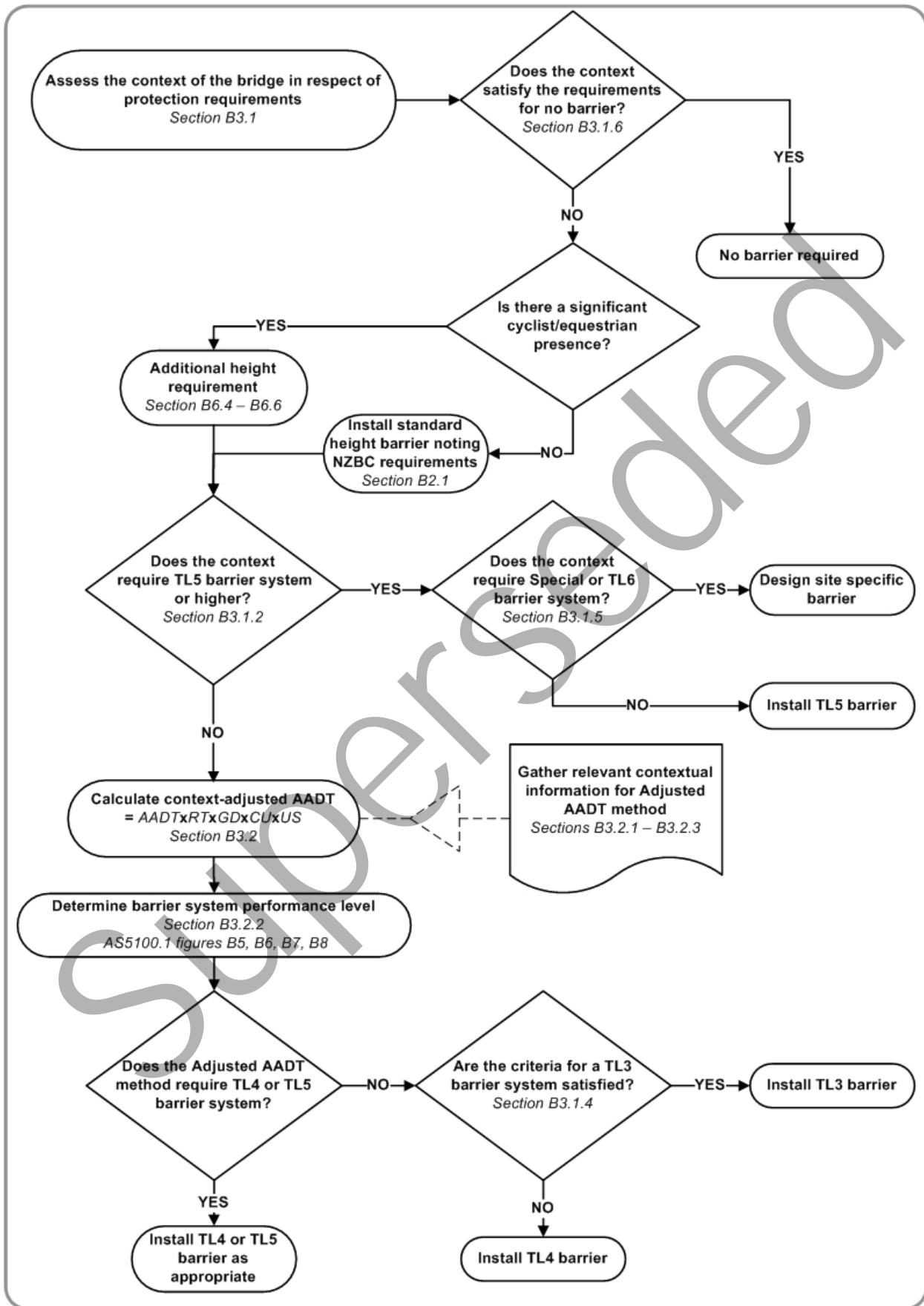
B3.1.6 'No barrier' option

For certain structure sites, conditions may be such that the presence of a barrier constitutes a higher risk than the hazard being protected. Consideration may therefore be given to omitting barriers where all the following conditions are satisfied (whilst being cognisant of the requirements of the *Building code*⁽³⁾, where relevant):

- there are no barriers on the approaches to the structure
- conditions under and near the structure do not increase the level of risk to the occupants of the vehicle leaving the structure
- the edge of the structure is less than 1.5m above the ground
- water beneath the structure is less than 1m deep
- traffic volumes are less than 150 vehicles per day
- the radius of curvature at the structure site is greater than 1500m and the road approaches have visibility greater than the required stopping sight distance
- the location is rural and without provision for pedestrian traffic
- the bridge is less than 5m long and the deck extends at least 1.2m laterally beyond the carriageway edge.

When the edge of the structure is greater than 9 metres from the edge of the carriageway, or when a culvert is less than 3.5m² and has ends flush with the embankment slope, a risk assessment should be carried out in accordance with the *Austrroads Guide to road design* part 6⁽¹⁾.

Figure B1: Traffic barrier performance selection flow chart



B3.2 Adjusted AADT method for barrier performance levels 3, 4 and 5 selection

B3.2.1 General

Once it has been determined that a barrier is required, if the context of the structure does not require a barrier performance level 5 or 6, or a special performance barrier, the appropriate performance level shall also be assessed using the adjusted AADT method outlined in AS 5100.1 *Bridge design* part 1 Scope and general principles⁽⁶⁾ section B4, with modifications detailed in this manual to account for New Zealand conditions, and as indicated in figure B1. This method assumes 2% traffic growth per annum over 30 years.

Where there is a difference between the test level determined using B3.1 and this 'Adjusted AADT method', the greater of the two test levels should be adopted.

The adjusted AADT method shall be used as follows:

- i. If the estimated traffic growth is 2% per annum then AS 5100.1⁽⁶⁾ section B4 with the following amendments can be used directly.
- ii. For growth rates other than 2% per annum the construction year AADT for use in this section can be estimated by dividing the 30-year after construction AADT by 1.81. The error in using this estimation is acceptable and within the assumptions of this methodology.

The adjusted AADT shall be calculated as follows:

$$\text{Adjusted AADT} = RT \times GD \times CU \times US \times \text{AADT}$$

Where: RT = Road type factor (from AS 5100.1⁽⁶⁾ table B1).

GD = Road grade factor (from AS 5100.1⁽⁶⁾ figure B2).

CU = Curvature factor (from figure B2 of this manual).

For radius of curvature less than 600m refer to section B3.1.2 of this manual.

US = Deck height and under-structure conditions factor (from AS 5100.1⁽⁶⁾ figure B4) for the risks described in AS 5100.1⁽⁶⁾ section B4.2.5.

AADT = AADT in construction year

The AADT is the total traffic volume for all lanes in both directions crossing the structure.

B3.2.2 Final barrier performance level selection

The final barrier performance level is selected by comparing the adjusted AADT with the threshold limits for the appropriate design speed given in AS 5100.1⁽⁶⁾ figures B5 to B8. These threshold graphs also include an additional variable to cater for the offset from the face of the barrier to the edge of the traffic lane, described as rail offset in the charts.

Note that a 'rail offset' of 0.3m shall be assumed in all instances for the purposes of this clause.

The barrier performance levels described in AS 5100.1⁽⁶⁾ figures B5 to B8 shall be substituted as follows:

- Replace "Medium Level" by "Barrier performance level 5"
- Replace "Regular Level" by "Barrier performance level 4"
- Replace "Low Level" by "Barrier performance level 3".

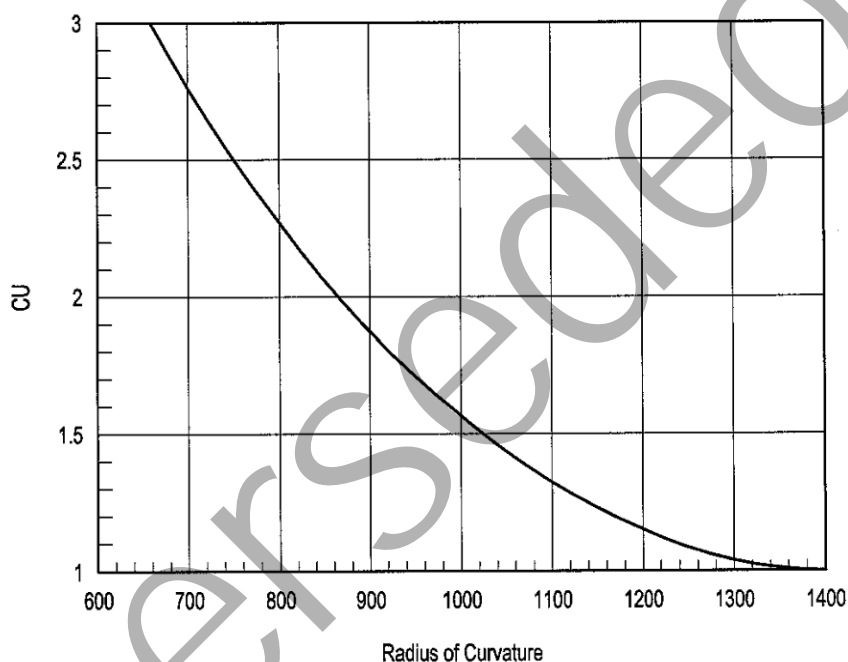
B3.2 continued

B3.2.3 Vehicles and traffic mix

The percentage of commercial vehicles in AS 5100.1⁽⁶⁾ figures B5 to B8 includes medium to heavy commercial vehicles (ie MCV to HCVII as described in the NZTA's *Economic evaluation manual*⁽⁵⁾).

For locations where the commercial vehicle (MCV to HCVII) traffic mix exceeds 40% the designer shall determine the appropriate barrier performance level based on a site-specific benefit-cost analysis. The performance level selected shall not be less than that required by these charts.

Figure B2: Curvature factor



B4 Barrier acceptance criteria

Only barriers that comply with one of the following criteria shall be used for side protection on structures:

- The barrier system is listed in NZTA M23⁽²⁾, ie has undergone satisfactory crash testing to the appropriate test level in accordance with NCHRP Report 350⁽⁴⁾ or higher, and has been accepted for installation in New Zealand.
- The barrier system is based on similar crash tested barriers used elsewhere subject to formal acceptance by the road controlling authority.
- The barrier system is a variation of B4(a) or B4(b) and has been 'deemed to comply' by the NZTA.

Crash testing/performance of the proposed barrier shall be to the appropriate level as determined in B3.

B5 Standard solutions

Table B2 gives standard non-proprietary solutions that meet the performance levels indicated. Equivalent lateral forces for each performance level are given in section B6 for design of the bridge deck and reinforcement for continuous rigid concrete barrier systems, where the profile has been accepted for the appropriate performance level. The standard solutions listed are not intended to be a complete list of acceptable solutions. The designer may specify alternative barrier systems subject to the acceptance criteria of section B4 and elsewhere in this manual.

Table B2: Standard non-proprietary solutions

Barrier performance level	NCHRP Report 350 ⁽⁴⁾ test level	Accepted barrier types	Reference
3	TL-3	W-beam guardrail (2.7mm thick, grade 350MPa steel), posts at 1.905m centres	NZTA M23 ⁽²⁾ appendix B.
4	TL-4	a. Modified Thrie-beam with modified I section blackout and posts, posts at 2.0m centres, 865mm high	AS/NZS 3845 ⁽⁷⁾
		b. 'F' shape concrete barrier 810mm high	NZTA M23 ⁽²⁾ appendix B
5	TL-5	a. T80HT barrier ('Texas HT'). This is the TL-5 barrier preferred by the NZTA	Texas DoT <i>Bridge railing manual</i> ⁽⁸⁾ as detailed in NZTA M23 ⁽²⁾ appendix B
		b. 'F' shape concrete barrier 1070mm high	NZTA M23 ⁽²⁾ appendix B
6	TL-6	Any FHWA TL-6 approved system, subject to the road controlling authority's acceptance	FHWA website ⁽⁹⁾
SPECIAL	Requires specific design		

Note:

820 high VCB barrier to the profile shown in AS/NZS 3845⁽⁷⁾ figure 3.12(6) and with reinforcement determined using the equivalent lateral forces in B6, may be used on non-state highways where there is a permanent posted speed limit of 50km/h or less with the acceptance of the road controlling authority.

B6 Side protection design criteria

B6.1 Equivalent lateral loads and height of application for rigid traffic barriers

Where a rigid barrier system other than those listed in NZTA M23⁽²⁾ is proposed, the loads in table B3 shall be used to determine structural requirements such as the reinforcement required in continuous rigid concrete barriers where the profile has been accepted for the appropriate performance level. These loads shall be treated as ultimate limit state loads and no further load factor need be applied to them. The transverse and longitudinal loads shall be applied at height H_e . The load F_v shall be applied along the top of the barrier as indicated in figure B3. All loads shall be applied to the longitudinal barrier elements.

Design of reinforcement for rigid concrete barriers using the loads in table B3 requires detailed analysis. Loads should be applied uniformly over the specified contact lengths. Design of rigid concrete barriers shall be carried out in accordance with 4.2 of this manual.

Rigid barrier reinforcement details provided in section 3 of AS/NZS 3845 *Road safety barrier systems*⁽⁷⁾ shall not be used.

B6.1 continued

Table B3: Rigid barrier design ULS loads, contact lengths and effective heights

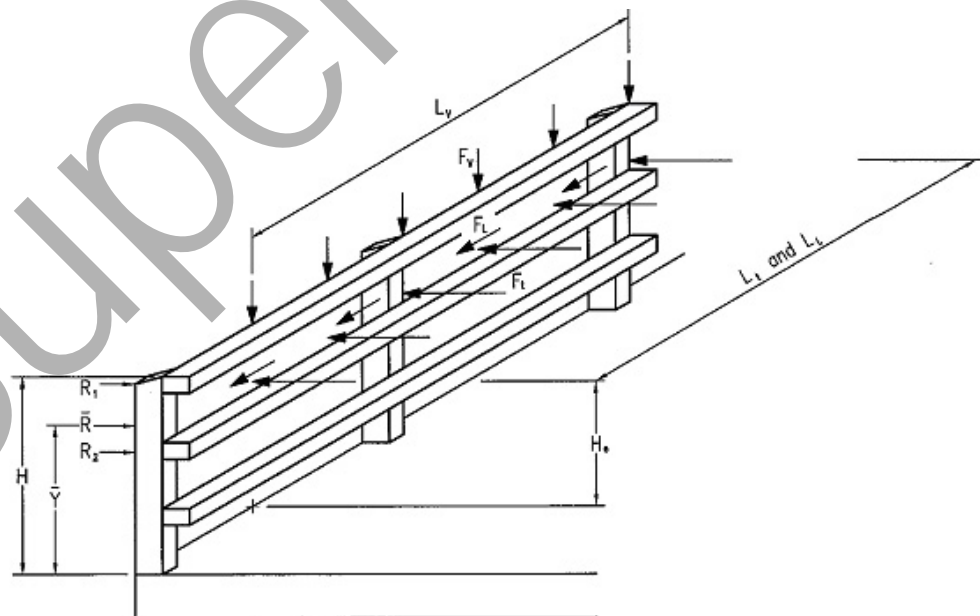
Barrier performance level	Transverse outward load F_t (kN)	Longitudinal load F_L (kN)	Transverse and longitudinal vehicle contact lengths L_t and L_L (m)	Vertical down load F_V (kN)	Vehicle contact length for vertical loads L_V (m)	Minimum effective barrier height H_e (mm)
4	250	80	1.1	80	5.5	800
5	500	170	2.4	355	12	1100
6	780	260	2.4	355	12	1400
SPECIAL	1000	330	2.5	380	15	1700 to 2000

The following load combinations shall be considered when using the loads in table B3 for the design of the barrier:

- i. transverse and longitudinal loads acting simultaneously
- ii. vertical loads only.

Either the transverse or longitudinal load shall be considered as acting concurrently with the vertical load for the design of the deck slab and supporting structure, whichever is critical.

The effective height of a barrier is the height of the resultant of the lateral resistance forces of the individual components of the barrier above the surface of the carriageway. Barriers must have sufficient height to ensure that the minimum effective heights quoted above are achieved. Actual heights of rigid concrete barriers may be marginally higher than the required effective height.

Figure B3: Barrier design forces

'H' is the height of barrier from the level of the adjacent deck, footpath or verge to the top of the barrier.

B6.2 Equivalent lateral loads and height of application for semi-rigid traffic barriers

Where a semi-rigid barrier system other than those listed in NZTA M23⁽²⁾ is proposed, the loads in table B4 shall be used to determine the structural requirements. These loads shall be treated as ultimate limit state loads and no further factor need be applied to them. The transverse (outward and inward) and longitudinal loads shall be applied at height H_e . All loads shall be applied to the barrier elements. In general the longitudinal load F_L will set the rail type and thickness required for the adopted barrier performance level. Construction of the adopted rail system shall ensure the full strength is available.

Where a semi-rigid barrier system is positioned on a single lane bridge then the transverse loads can be taken as 67% of those specified in table B4.

Semi-rigid barrier design shall assume use of a mechanical fuse to limit deck and superstructure loadings with the barrier system reliant on the longitudinal tension developing in the rail to provide errant vehicle re-direction. Rail anchorage requirements as set out in table B4 must be met to ensure the rail longitudinal tension develops. Barrier design must also ensure appropriate transitions are provided between the barrier on the structure and the connecting approach barrier.

Full capacity 'button head' high strength bolt fixings shall be provided at all rail to post and blockout connections. Quick release fixings shall not be used.

Table B4: Semi-rigid barrier design criteria (assuming the barrier has a minimum lateral offset to the deck edge of 0.5m)

Barrier performance level	Minimum transverse outward load ¹ F_{to} (kN)	Minimum transverse inward load ² F_{ti} (kN)	Number of posts fully loaded in the design collision ³	Expected longitudinal barrier load in the design collision ⁴ F_L (kN)	Minimum longitudinal barrier anchorage load ⁵ F_{LA} (kN)	Barrier centreline height ⁶ H_e (mm)
3	45	19	3	500	450	550
4	60	24	5	900	750	620

Notes:

1. Transverse outward load is to be applied to determine the post or its fixing fragility under the typical errant vehicle collision. The load level is set to optimise energy absorption and control ongoing collision maintenance.
2. Transverse inward load is to be applied to determine the post or its fixing fragility under an errant vehicle snagging collision. The load level is set to optimise energy absorption and control ongoing collision maintenance.
3. For ultimate limit state design of the bridge deck and superstructure the specified number of posts shall be fully loaded for the transverse outward or inward loads for the case under consideration.
4. The minimum F_L specified shall be used to confirm rail longitudinal strength and minimum connectivity.
5. The minimum F_{LA} specified shall be provided to ensure the rail barrier re-directs the errant vehicle within the allowable lateral displacement. With the use of standard cross braced cable bays a nominal 150kN tension per bay is achieved, hence the minimum anchorage specified is equivalent to 3 bays and 5 bays respectively for the two barrier performance levels. Barrier rail anchorage set out shall meet the layout detailed in NZTA M23⁽²⁾ appendix B for non-proprietary systems. In general the typical anchor spacing on straight structures shall not exceed 80m. For curved structures (>250m radius) the anchor spacing along the outside edge of the curve may be set at 100m whereas the anchor spacing along the inside edge of the curve shall not exceed 60m. Anchor spacing for structures on small radius curves shall be subject to specific design.
6. The barrier transverse and longitudinal loads shall be applied at the specified barrier centreline height, as measured from the top of the road surface at the face of the barrier. Barrier set out shall include allowance for the road surfacing strategy at the site.

B6.3 Design of deck slabs to resist barrier forces

Design of the deck slab shall be such that any failure is confined to the barrier and that the fixings to the deck, the deck slab and supporting structure are not damaged during failure of the barrier, except where holding down bolts are specifically designed to break away in semi-rigid barrier applications or starter bars are designed to yield for rigid barriers.

- a. For rigid barrier systems, the equivalent ultimate limit state forces and contact lengths set out in table B3 shall be used for the calculation of forces in the bridge deck for the required performance level. The deck capacity shall be sufficient to resist overstrength actions generated by the barrier capacity, when the loads set out in table B3 are applied. Characteristic strengths and capacity reduction factors of $\phi=1.0$ for flexure and $\phi=0.85$ for shear shall be used for the design of the deck capacity.

When barrier collision occurs the overstrength capacity collision load actions shall be combined with an HN vehicle positioned at the barrier face. This vehicle load may be considered as an overload (OL) for the determination of load factors.

- b. For semi-rigid barrier systems, the deck slab shall be designed to withstand the forces mobilised by the yielding components of the barrier post (ie either the post fixings or post base acting in flexure or shear) developing their overstrength capacity.

Deck slab design shall consider two collision load cases:

- i. When barrier collision just occurs the post or base plate overstrength capacity collision load actions shall be combined with an HN vehicle positioned at the rail barrier face.
- ii. After barrier collision when the HN vehicle shall be positioned at the deck edge to generate the most adverse deck actions. It is assumed the barrier has 'knocked-off' and no collision load need be applied in this case.

In both instances the vehicle load may be considered as an overload (OL) for the determination of load factors.

B6.4 Pedestrian and cyclist barriers

A pedestrian barrier, cyclist barrier or combined pedestrian and cyclist barrier is required in the following locations:

- on a bridge provided for the sole or combined use of pedestrians and cyclists, ie not motorised traffic
- on the outside of a footpath, cycle path or combined path that is separated from the motorised traffic by a semi-rigid barrier or a rigid barrier

The barrier shall be designed to resist horizontal and vertical service loads of 1.75kN/m applied to the top rail. Other members shall resist a horizontal service load of 1.5kN/m² applied to the gross area, and a point load of 0.5kN in any direction at any point.

Horizontal and vertical loads need not act concurrently. The load factor for the ultimate limit state shall be 1.7 for design of the barrier, fixings and supporting deck.

For a pedestrian barrier, the minimum height to the top edge of the top rail shall be 1100mm. Where there is also a need to provide for the safety of cyclists, the minimum height to the top edge of the top rail shall be 1400mm.

Intermediate rails shall be provided below the top rail such that the clear gap between rails complies with the acceptable solutions presented in the *Compliance document for New Zealand building code* clause F4 Safety from falling⁽¹⁰⁾. Consideration shall be given to the provision of a separate handrail in situations where clause D1 Access routes of the *Building code*⁽³⁾ is applicable.

B6.4 continued

The barrier shall present a smooth surface without snagging points. A fundamental principle in designing barrier protection for cyclists is that the first point of contact between a cyclist and the barrier should be the cyclist's forearm with the barrier top rail.

Pedestrian and cyclist barriers shall also satisfy the following criteria:

- Rails shall be round or possess round corners to minimise the potential for injury to cyclists toppling into them.
- Supports shall be installed to minimise the potential for snagging of cycle handlebars or pedals.
- They shall extend sufficiently beyond the ends of the structure to satisfy the requirements of the *Building code*⁽³⁾.

B6.5 Equestrian barriers

Where equestrians are to be provided for on structures, barriers shall be provided as specified in B6.4 for pedestrians and cyclists with the following additional requirements:

- The height of the top rail of the barrier above the adjoining paved surface shall be increased to 1.8m.
- A 600mm high solid infill panel shall be provided at the bottom of the barrier to obstruct a horse's view of the void below.

B6.6 Combination barriers (traffic and pedestrian/cyclist/equestrian)

The combination barrier shall be designed to resist the forces appropriate to the barrier performance level required from B6.1 or B6.2.

Where the vehicle barrier portion of the combined barrier is lower in height than the requirements of B6.4 or B6.5 as applicable, rails shall be added to accommodate pedestrian/cyclists/equestrians as described in B2.1, B2.4 and B2.5. The pedestrian/cyclist portions of the barrier shall resist loads of 4.4kN/m horizontally and 1.75kN/m vertically, applied to the top rail. Other members shall resist, as a minimum, the loads described in B6.4. The load factor for these pedestrian/cyclist loads for the ultimate limit state shall be 1.7.

Rails to combination barriers shall also satisfy the following criteria:

- Rails shall be round or possess round corners to minimise the potential for injury to cyclists toppling into them.
- Supports for the rails shall be installed to minimise the potential for the snagging of cycle handlebars.
- Barrier rails shall be positively interconnected at expansion joints in the rails with a connection of sufficient strength to prevent the rails separating under vehicle impact and spearing the impacting vehicle. The capacity of the rail-barrier connection shall be sufficient to support the rail from collapsing off the structure following an impact.
- Rails shall extend sufficiently beyond the ends of the structure to satisfy the requirements of the *Building code*⁽³⁾ and then be deflected downwards and anchored.
- Intermediate rails shall be provided such that any clear gaps between rails and barrier comply with the acceptable solutions presented in the *Compliance document for New Zealand building code* clause F4⁽¹⁰⁾.
- Whilst, for the safety of cyclists, the minimum height to the top edge of the top rail shall be 1400mm, the use of the T80HT barrier (1270mm high), as detailed in table B2, is generally considered acceptable for cyclist protection.
- Systems that have not undergone crash testing require acceptance from the road controlling authority as a deemed to comply system.

- | | |
|----------------|---|
| B6.6 continued | <ul style="list-style-type: none"> • The front face of the rails shall be set back from the vertical plane of the barrier face to minimise vehicle impact on the rails, unless the rail is a structural element of the barrier system. • The design of any top rails to a concrete barrier, including the fixings, shall ensure that the rail system fails in a ductile manner. |
|----------------|---|

B6.7 Debris screening	<p>Debris screening shall be incorporated into side protection barriers on structures where debris falling through such barriers could create a hazard to motorists on adjacent carriageways or carriageways beneath the structure or to adjacent land users.</p> <p>Where debris screening is required for a structure carrying traffic over another carriageway or running immediately adjacent to, and at a higher level than, another carriageway, the edge protection system used shall provide a solid screen to a minimum height of 400mm above the higher carriageway to prevent debris falling onto the carriageway below.</p> <p>If this screen is not provided by the side protection system itself, then a separate screen shall be provided on the external face of the barrier to satisfy this requirement.</p> <p>Similarly, where debris screening is required for a structure carrying pedestrians or cyclists over a highway, a solid screen to a minimum height of 100mm above the path shall be provided. A kerb will satisfy this requirement.</p> <p>Consideration must also be given to the provision of anti-throw screening to prevent objects being thrown onto the carriageway below, in particular bridges with provision for pedestrians over urban motorways. This should be done on an exposure/outcome basis and take into account the composition of the bridge users and the obstacle being spanned.</p> <p>Where anti-throw screens are required they shall meet the minimum provisions of AS 5100.1⁽⁶⁾ clause 12.3.</p>
-----------------------	--

B7 Geometric layout, end treatment and transitions - the NZTA's requirements

B7.1 General	Accepted barrier systems, end terminals and transitions are detailed in NZTA M23 ⁽²⁾ and the accompanying appendices.
--------------	--

B7.2 Rigid barrier	Rigid barriers shall generally be orientated vertically in the transverse direction. If the crossfall is less than 5% it may be more appropriate to rotate the barrier so that its axis is perpendicular to the road surface, as shown in figure 6.17 of the <i>Austrroads Guide to road design</i> part 6 ⁽¹⁾ .
--------------------	---

B7.3 Semi-rigid barrier	Installation of proprietary semi-rigid barrier systems shall be in accordance with the manufacturer's instructions for the performance level prescribed.
-------------------------	--

Unless specified otherwise in manufacturer's instructions or NZTA M23⁽²⁾, posts shall be erected normal to the road surface in the longitudinal direction, but vertical in the transverse direction.

Holding down bolts shall be specifically designed to be easily removed and replaced after failure or damage.

B7.4 Structure approaches

The protection level provided by the barrier on the approaches to the structure shall be appropriate for the hazard at the structure. Where the protection level on the approach is less than that provided on the structure, the length of approach transition shall be assessed as the appropriate length of need for the hazard (*Austroads Guide to road design* part 6⁽¹⁾).

A smooth continuous tensile face shall be maintained along the transition. Any exposed rail ends, posts or sharp changes in barrier component geometry shall be avoided, or sloped outwards or downwards with a minimum flare of 1 in 30 for barrier components and kerb discontinuities.

Standard transition details are given in NZTA M23⁽²⁾ appendix A. Flexible (wire rope) barrier systems are not acceptable for edge protection on structure approaches as these are difficult to transition to semi-rigid and rigid systems.

B7.5 End treatment

The ends of a barrier shall have a crashworthy configuration or be shielded by a crashworthy barrier or impact attenuation device.

Acceptable end terminals are detailed in NZTA M23⁽²⁾ appendix A.

B7.6 Kerb

Notwithstanding the requirement to maintain the approach road cross-section across the bridge, where the width between approach kerbs is different from that on the bridge, the horizontal transition between the two shall be an 'S-curve' such that the overall taper rate (rate of lateral shift) is not less than 0.6m/s of travel time at the design speed.

For example; a 300mm change in width in a 50km/h speed environment would transition over a distance of $0.3 \times 13.9 / 0.6 = 7.0\text{m}$.

Where the profile of the kerb on the bridge differs from that on the approach the transition between the approach kerb profile and that over the bridge should occur over a distance of between 2m and 5m (depending upon the extent of the change) and must not present an opportunity to either snag or launch an errant vehicle.

B7.7 Barrier layout

The geometric layout for the barrier on the approach to single and two-lane bridges shall comprise the appropriate performance level for the length of need required to protect the hazard, together with the appropriate transition sections between barriers of different test levels. The length of need shall be calculated in accordance with the *Austroads Guide to road design* part 6⁽¹⁾. (An example calculation is given in appendix I of the guide.) In New Zealand, the 'Angle of departure' method is preferred.

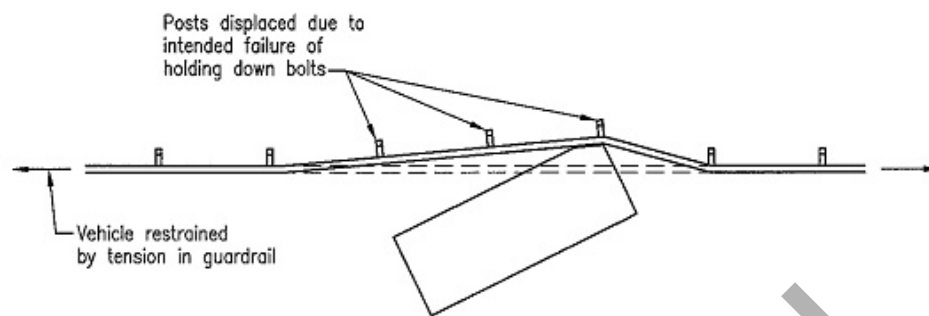
B8 Non-proprietary bridge barrier system

B8.1 General

Details of a non-proprietary semi-rigid bridge barrier system that is suitable for use on state highway bridges, are given in NZTA M23⁽²⁾ appendix B.

The principle of operation of this system is shown in figure B4. It should be noted that, in this design, the use of holding down bolts with a specific minimum and maximum strength is essential. Deck slab details near to barrier posts for this system are shown in figure B5.

B8.1 continued

Figure B4: Semi-rigid barrier displacement and local post failure at impact

B8.2 Length changes and anchorages

a. Bridge length changes

No free longitudinal movement shall take place in joints between lengths of guardrail.

The guardrail is assumed to be fixed in space between its end anchors, while the bridge deck (and the guardrail posts) move relative to the guardrail as a result of temperature, shrinkage and creep effects. Provision shall be made in the guardrail at each post connection to enable relative movement to occur at this location. It is also assumed that longitudinal forces due to temperature changes can be resisted by the guardrail. Guardrail expansion joints shall be used only on bridges where long lengths of continuous superstructure between deck expansion joints give length changes that cannot be accommodated within the normal post expansion provision. Where the distance from a guardrail anchor point to the nearest deck expansion joint, exceeds 100m then an expansion joint is to be provided in the guardrail itself.

The expansion joint shall enable slow movements to take place without restraint, but act as a rigid connection under impact loading. Expansion joints or other devices which use rubber components to absorb movement shall not be used.

b. Guardrail anchors

Unless linked to highway guardrails on the approaches, a bridge guardrail shall be provided with end anchors capable of resisting its specified ultimate load. A bridge guardrail more than 150m long shall be provided with intermediate anchors as described below, capable of resisting the same load. The following types of anchors shall be used in the situations described:

i. Buried anchor

Where the approach to a bridge is in soft rock or a soil cutting the anchor to an approach guardrail should, if possible, be buried. Soil covering the anchor shall be well compacted. Details of a standard NZTA buried anchor are shown in NZTA M23⁽²⁾ appendix A.

ii. End treatment

Refer to B7.5.

iii. Intermediate anchor on a bridge

The anchor posts shall be designed to break away from the deck at their bases in the event of direct vehicle impact. When this occurs, restraint of the guardrail ribbon is provided by the adjacent anchors.

Details of a standard NZTA intermediate anchor are shown in NZTA M23⁽²⁾ appendix B.

B8.2 continued

c. Location of anchors

Guardrail anchor location requirements are as follows (they are shown diagrammatically in figure B6):

- The maximum distance between adjacent anchors shall be 150m.
- The maximum length over three consecutive anchors shall be 200m.
- Intermediate anchors shall be located at neutral points. Neutral points are defined as points on the bridge length which do not move longitudinally with length changes. If this is not possible, due to location of two or more anchors between consecutive expansion joints, the effect of the movement of the anchors relative to the guardrail due to creep and shrinkage shall be taken into account in the design by providing for adjustments in the anchor cable connections.
- If there is a high proportion of very heavy traffic and/or severe curvature, consideration should be given to providing guardrail anchors at every neutral point.
- End anchors shall be located at the appropriate distance from the bridge abutment to satisfy the length of need required to protect the hazard.

Figure B5: Non-proprietary bridge barrier system – deck slab details near guardrail posts

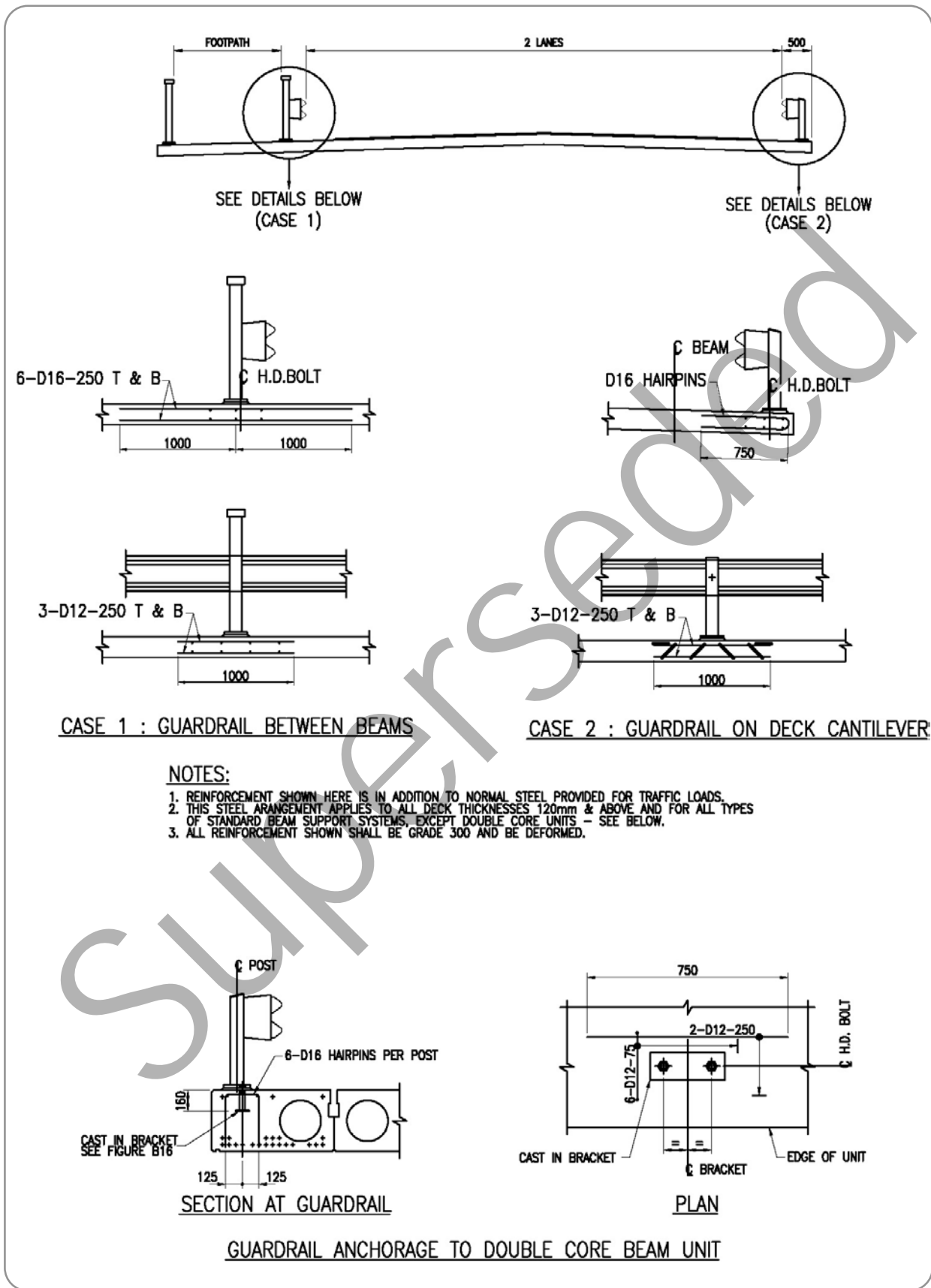
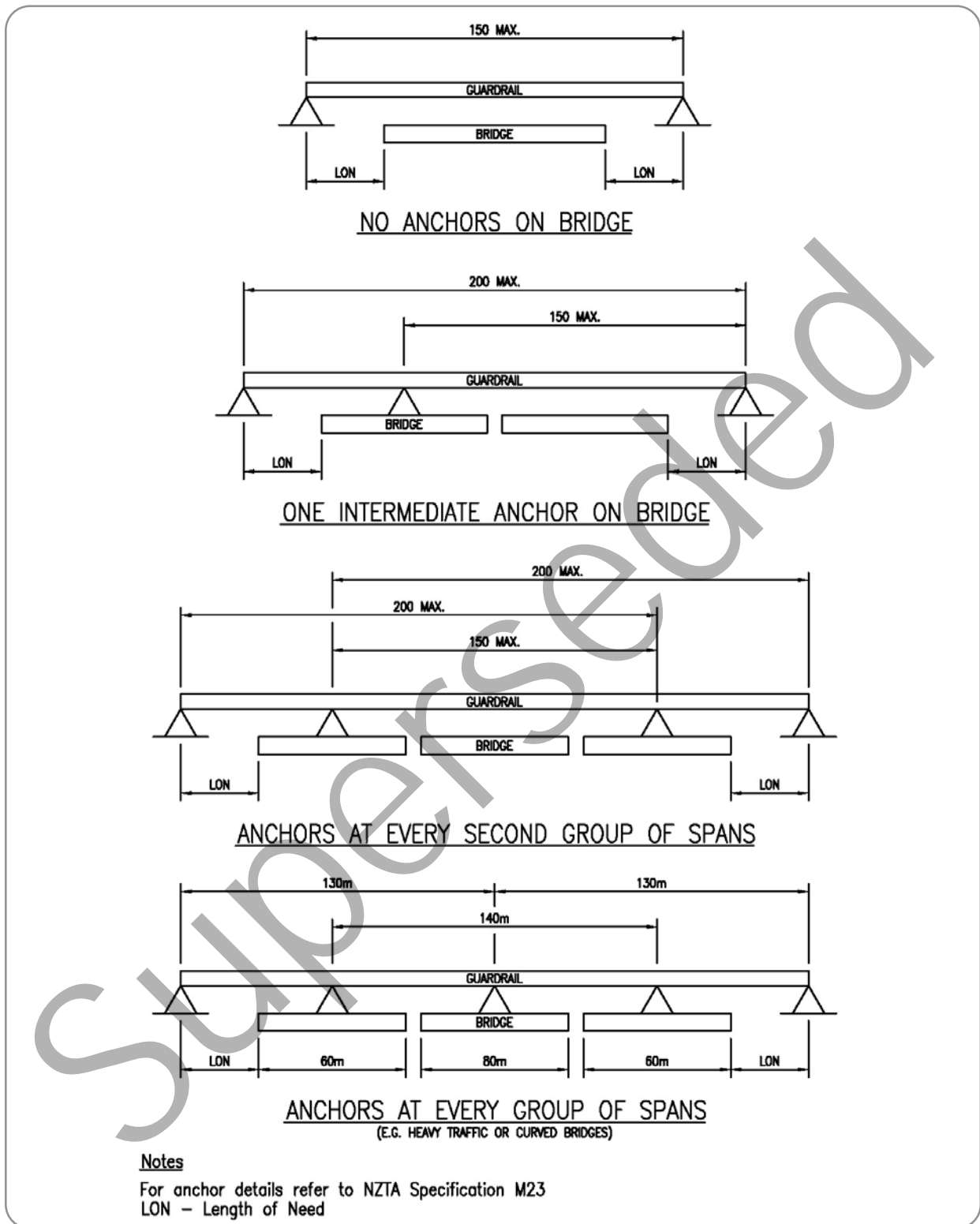


Figure B6: Non-proprietary bridge barrier system - anchor locations



B9 References

- (1) Austroads (2010) *Guide to road design*. Part 6 Roadside design, safety and barriers, AGRD06-10. Sydney, NSW, Australia.
 - (2) NZ Transport Agency (2009) *NZTA M23 Specification for road safety barrier systems*. Wellington.
 - (3) Parliamentary Counsel Office (1992) *Building Regulations 1992. Schedule 1 The building code*. Wellington.
 - (4) National Cooperative Highway Research Program (1993) *Recommended procedures for the safety performance evaluation of highway features*. Report 350, National Academy Press, Washington DC, USA.
 - (5) NZ Transport Agency (2010) *Economic evaluation manual*. Wellington.
 - (6) Standards Australia AS 5100.1-2004 *Bridge design*. Part 1 Scope and general principles.
 - (7) Standards Australia and Standards New Zealand jointly AS/NZS 3845:1999 *Road safety barrier systems*.
 - (8) Texas Department of Transportation (2012) *Bridge railing manual*. Austin TX, USA.
 - (9) Federal Highway Administration *Bridge railings*. Last accessed 28 April 2013 <www.safety.fhwa.dot.gov/roadway_dept/policy_guide/road_hardware/barriers/bridgerailings/index.cfm>.
 - (10) Ministry of Business, Innovation & Employment (2007) *Compliance document for New Zealand building code clause F4 Safety from falling*. Wellington.
-

Appendix C Seismic hardware

In this section

	Section	Page
C1	Linkage bars	C-2
C2	Toroidal rubber buffers	C-5
C3	References	C-6

Superseded

C1 Linkage bars

C1.1 Design standards

Linkage assembly design should be based on these provisions and relevant clauses in NZS 3404 *Steel structures standard*⁽¹⁾ for connections and seismic design.

A capacity design approach should be used to ensure that any failure occurs in ductile linkage bars rather than in the anchoring brackets or in other members resisting the linkage forces.

Apart from AS/NZS 4671 *Steel reinforcing materials*⁽²⁾ for grade 300E and grade 500E bar, standard steel materials specifications generally do not specify the maximum UTS (ultimate tensile stress) for a grade of steel and within a steel grade a wide variation can be possible in the UTS of steel supplied, especially with stainless steels. Thus the designer will generally need to specify both the minimum yield strength and the maximum UTS of the linkage bars to be provided.

The capacity design force actions applied to the anchorages and resisting element of the linkage system should be based on the specified maximum UTS for the linkage bars. Experience has shown that the UTS given on material batch test certificates can differ by as much as 20% from the UTS of actual material supplied, when tested, and the possibility of this variation should be allowed for in the design by applying an overstrength factor of 1.2 to the specified UTS for the bars when estimating the force actions on the anchorages and resisting elements. Alternatively, tensile testing of the bar material actually supplied should be required to ensure that the specified maximum UTS of the linkage bars is not exceeded.

Strength reduction factors specified in the appropriate material codes should be used for the design of the anchoring brackets and members resisting the linkage forces.

In assessing the performance of the anchors and resisting members of existing linkage systems, an overstrength factor of 1.2 should be applied to the probable ultimate strength of the bar, where estimated based on literature reports of typical strengths or adopted from material batch test certificate records, and strength reduction factors should not be applied.

Guidance on the performance of linkage bars can be found in the report *Performance of linkage bolts for restraining bridge spans in earthquakes*⁽³⁾ or in the related summary paper⁽⁴⁾.

C1.2 Materials

C1.2.1 General

Linkage bars should be formed from one of the following materials:

- Grade 316 stainless steel with a specified minimum elongation of 30%
- Mild steel with a specified minimum elongation of 30%
- Macalloy fully threaded S650 Grade 316 stainless steel bar
- Reidbar Grade 500E.

The preferred material is Grade 316 stainless steel because of its good elongation, corrosion resistance and good fracture toughness in cold temperatures.

Reidbar should not be used in areas where the NZS 3404⁽¹⁾ lowest one-day mean ambient temperature (LODMAT) isotherm is less than 2.5°C.

C1.2 continued

C1.2.2 Ductility

Linkage bars should be designed to have a plastic elongation of at least 40 mm. The test results in *Performance of linkage bolts for restraint of bridge spans in earthquakes*⁽³⁾ can be used to estimate the plastic elongations for the recommended linkage bar materials listed in C1.2.1.

When formed into bars of typical lengths used in bridge linkage systems, high strength steels generally do not have sufficient tensile ductility and should not be used unless results of full-scale bar testing demonstrates that the plastic elongations will exceed 40mm. (Certified material elongations do not give a reliable indication of the bar performance in a full-scale linkage system.)

C1.2.3 Fracture toughness

To allow for plastic strains under earthquake loads the steel used in linkage bars should have a minimum impact resistance of 27 joules at -10°C lower than the basic LODMAT isotherm for the site given in NZS 3404.1⁽¹⁾.

It is not necessary to combine extreme low temperatures with design level earthquake loading and the provisions of NZS 3404.1⁽¹⁾ can be interpreted as requiring linkages at sites on most of the coastal South Island regions to have an impact resistance of 27 joules at -10°C.

The steel used in anchoring brackets for linkage bars should have a minimum impact resistance of 27 joules at -5°C lower than the basic LODMAT isotherm for the site given in NZS 3404.1⁽¹⁾. This allows for extreme cold conditions at the bridge site but does not include a plastic strain reduction since brackets should be designed so that they are not subjected to significant plastic strain.

Grade 316 and Macalloy S650 stainless steel has good fracture toughness and can be used for linkage bars at any location in New Zealand. The fracture toughness of mild steels should be assessed before they are used in the South Island and colder regions in the North Island. Grade 300 L15 should be satisfactory in all but the coldest regions of the South Island.

Reidbar assemblies should not be used in the South Island and if used elsewhere the site service temperature needs careful consideration.

C1.3 Bar geometric details

In bridges over 50m in length non-proprietary bars should have turned down shanks. The turned-down length should be a minimum of 10 times, and ideally 15 times, the turned-down diameter. The ratio of the turned-down diameter to nominal thread diameter should not be greater than 0.8.

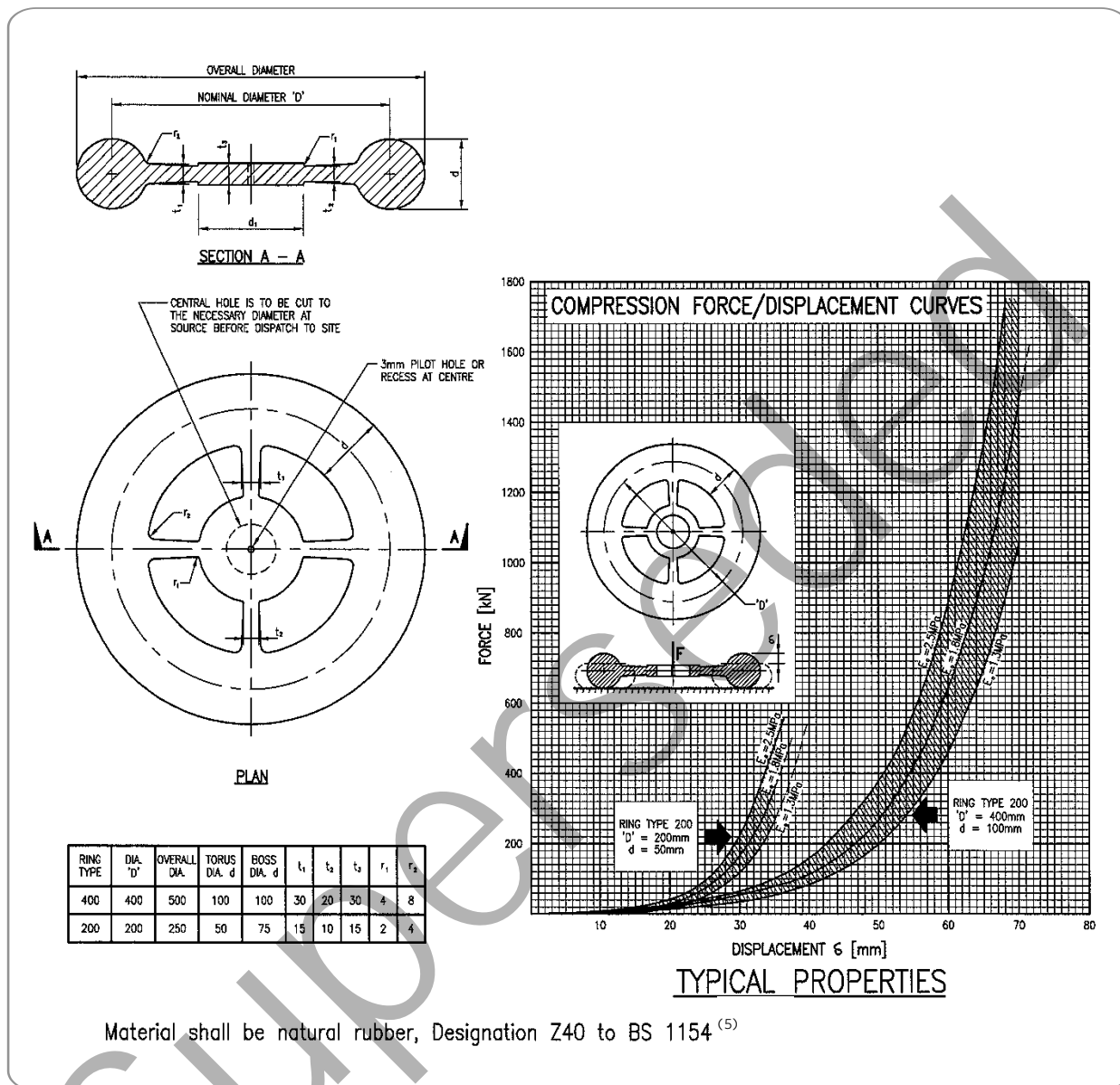
It is not necessary to turn-down Reidbar or Macalloy bar. Turning down these bars is likely to reduce the total elongation.

If plain round linkage bars are used, they should have a shank diameter no greater than the nominal thread diameter and the loaded lengths of thread at both ends of the bar should be at least 3.5 times the nominal thread diameter. Their use should be restricted to bridges less than 50m in length or for retrofitting older bridges.

C1.4 Linkage bar nuts	<p>It is essential that lock nuts be used on all linkage assemblies. On proprietary bars the proprietary lock-nuts can be used. Other bars should be lock-nutted using two standard nuts.</p> <p>Nuts should have specified proof loads greater than the ultimate tensile strength (UTS) of the bar. The property class required for the nuts should be included in the bar specification.</p>
C1.5 Rubber pads and washers	<p>When rubber pads are used in the linkage system to accommodate the required temperature movements they should be specifically designed and should not be excessively flexible. The elastic stiffness of the linkage system should be as high as practicable to minimise damage to the span joints and holding down bolts under serviceability level earthquake loading.</p> <p>Heavy steel washers should be used with rubber pads and should be of sufficient thickness to result in uniform pressures on the pads. Their side dimension, or diameter, should be at least as great as that of the rubber pad.</p>
C1.6 Linkage system corrosion resistance	<p>In new bridges, linkage bars, bar hardware and steel anchoring brackets should be designed to have no significant loss of section in a 50-year service life without maintenance of the protective coatings. For bars retrofitted to bridges that are over 50 years old this service life may be reduced to 25 years.</p> <p>All bars that are not fabricated from stainless steel should be hot dip galvanised or alternatively coated by a thermal zinc spray and a sealer. To achieve the 50-year service life it will usually be necessary to apply a paint coating to the installed galvanised bars. Reference should be made to NZS 3404.1⁽¹⁾, Section 5, for bridge site atmospheric corrosivity categories, corrosion rates and coating systems.</p>
C1.7 Linkage bar design details	<p><i>C1.7.1 Serviceability limit state stresses</i></p> <p>The stresses in the linkage bar system should be less than yield level under the load combinations specified for the serviceability limit state.</p> <p><i>C1.7.2 Bar anchoring at abutments and piers</i></p> <p>Anchoring linkage bars and anchor brackets by drilling through the bridge main members and installing nuts is preferred to relying on anchoring bars and bolts with epoxy grout.</p> <p><i>C1.7.3 Bar robustness</i></p> <p>Thread damage, bending of bars during maintenance operations and corrosion of nuts due to galvanic action are considerations in detailing linkage bars. Diameters of less than 20mm should not be used for either galvanised mild steel or stainless steel linkage bars.</p> <p><i>C1.7.4 Bar clearances</i></p> <p>Adequate clearances and linkage bar hole sizes should be specified to reduce the risk of damage to linkage bars under combined longitudinal and transverse displacements of the superstructure.</p>

C2 Toroidal rubber buffers

Figure C1: Toroidal rubber buffers



C3 References

-
- (1) Standards New Zealand NZS 3404. _____ *Steel structures standard*.
Parts 1 and 2:1997
Part 1:2009 Materials, fabrication and construction
 - (2) Standards Australia and Standards New Zealand jointly
AS/NZS 4671:2001 *Steel reinforcing materials*.
 - (3) Wood JH (2012) *Performance of linkage bolts for restraining bridge spans in earthquakes*. Report prepared for the NZ Transport Agency, Wellington.
 - (4) Wood JH and Chapman HE (2013) *Performance of linkage bars for restraint of bridge spans in earthquakes*. Bulletin of the New Zealand Society for Earthquake Engineering, vol. 46, no. 1.
 - (5) British Standards Institution BS 1154: 2003 *Natural rubber compounds. Specification*.
-

Superseded

Appendix D Lightly trafficked rural bridges

In this section

	Section	Page
D1	General	D-2
D2	Specific requirements	D-2
D3	References	D-6

Superseded

D1 General

Use of the criteria in this appendix will be subject to approval of the road controlling authority.

- a. Note that this appendix provides minimum design standards.

These criteria cover one-lane bridges on lightly trafficked roads. The criteria shall only be used where all the following criteria are met:

- i. the traffic count is less than 100 vehicles per day (vpd)
 - ii. the road cannot become a through route
 - iii. the alignment is such that speeds are generally below 70km/h
 - iv. use of the route by logging trucks is unlikely, and
 - v. no significant overloads are expected to occur or the bridge can be bypassed.
- b. Following each clause title below, is the number of the clause in the main body of this document which is modified by this appendix. Where no modification is detailed below, the original clauses shall apply in full.

D2 Specific requirements

D2.1 Basis of design (2.1.3)

For wind, floodwater and earthquake actions the importance level may be taken as 1, except for any bridges that span other roads or railways for which the bridge shall be designed for the importance level of the road or railway crossed.

D2.2 Geometric requirements (2.2)

The specific requirements of appendix A may be waived but the following width limits apply:

- a. Bridges without handrails or traffic barriers: 3.0m minimum, 3.7m maximum between kerbs or wheel guards.
- b. Bridges with pedestrian barriers: 3.0m minimum, 3.7m maximum between kerbs or wheel guards, 3.7m minimum between pedestrian barriers.
- c. Bridges with traffic barriers: 3.7m minimum, 4.3m maximum between guardrails.

Pedestrian barriers may only be omitted where it is acceptable under the *Building code*⁽¹⁾ to do so. Where required, pedestrian barriers shall satisfy the *Building code*⁽¹⁾ requirements as a minimum.

Since agricultural vehicles up to 3.7m width may use a public road without permit, the choice of type and height of side protection should be made after consideration of the actual vehicles using the road, and the clearance to any overhanging portions of the vehicles.

D2.3 Traffic loads - gravity effects (3.2)

- a. For design of both main members and decks, the HN design load may be replaced by 0.85 HN. The dimensions of the loaded areas remain the same as for full HN load. HO load need not be considered.
- b. Areas of deck where wheels cannot normally travel, due to dimensional limitations or physical barriers need not be designed for the wheel loads of (a) above, but shall be designed for one 15kN wheel load, using the same contact area as an HN wheel, placed anywhere on the deck.

D2.3 continued

c. Note that the uniformly distributed part of the reduced HN load is expected to be adequate to cover the effect of all routine stock load.

D2.4 Combination of load effects (3.5)

Tables 3.1 and 3.2 shall be replaced by tables D1 and D2 respectively.

Table D1: Load combinations and load factors for the serviceability limit state

Load symbol	Combination	DL	CN	EL	LLxI	HE	CF	EP	GW	ST	Soil			Environmental			Horizontal				
											OW	FW	PW	EQ	WD	CO	TP	SG	PS		
Primary normal traffic cases	1A	1.00	-	1.00	1.35	-	1.00	1.00	1.00	1.00	1.00	1.00	1.00	1.00	1.00	1.00	1.00	1.00	1.00	1.00	
	1B	1.00	-	1.00	-	-	1.00	1.00	1.00	1.00	1.00	1.00	1.00	1.00	1.00	1.00	1.00	1.00	1.00	1.00	
Secondary normal traffic cases	2A	1.00	-	1.00	1.35	1.00	1.00	1.00	1.00	1.00	1.00	1.00	1.00	1.00	1.00	1.00	1.00	1.00	1.00	1.00	
	2B	1.00	-	1.00	1.35	1.00	1.00	1.00	1.00	1.00	1.00	1.00	1.00	1.00	1.00	1.00	1.00	1.00	1.00	1.00	
	2C	1.00	-	1.00	1.35	1.00	1.00	1.00	1.00	1.00	1.00	1.00	1.00	1.00	1.00	1.00	1.00	1.00	1.00	1.00	
Primary lateral load cases	3A	1.00	-	1.00	-	-	-	1.00	1.00	1.00	1.00	1.00	1.00	1.00	1.00	0.33	1.00	1.00	1.00	1.00	
	3B	1.00	-	1.00	-	-	-	1.00	1.00	1.00	1.00	1.00	1.00	1.00	1.00	-	1.00	1.00	1.00	1.00	
	3C	1.00	-	1.00	-	-	-	1.00	1.00	1.00	1.00	1.00	1.00	1.00	1.00	1.00	0.33	1.00	1.00	1.00	
Traffic overload case	4	Not applicable										-	-	-	-	-	-	-	-	-	-
Construction cases	5A	1.00	-	1.00	-	-	-	1.00	1.00	1.00	1.00	1.00	1.00	1.00	1.00	1.00	1.00	1.00	1.00	1.00	
	5B	1.00	-	1.00	-	-	-	1.00	1.00	1.00	1.00	1.00	1.00	1.00	1.00	1.00	1.00	1.00	1.00	1.00	

Notes: Where the effect of a possible reduction in permanent load is critical, replacement of the 'permanent load' by '0.9 x permanent load' shall be considered.

Combinations 3A and 3C only apply to the design of deck joints and elastomeric bearings and to consideration of stability of the structure.

Table D2: Load combinations and load factors for the ultimate limit state

Load symbol	Self-weight		Construction		Traffic		Soil			Environmental			Horizontal						
	DL	CN	EL	LLxI	HE	CF	EP	GW	ST	OW	FW	PW	EQ	WD	CO	TP	SG	PS	
Primary normal traffic cases	1A	1.0 (1.00)	-	1.10 (1.00)	1.84	1.84	1.49 (1.35)	1.00	1.10 (1.00)	1.10 (1.00)	-	-	-	-	-	-	1.10 (1.00)	1.00	
	1B	1.0 (1.00)	-	1.10 (1.00)	-	-	1.49 (1.35)	1.00	1.10 (1.00)	1.10 (1.00)	-	-	-	-	-	1.38 (1.00)	1.10 (1.00)	1.00	
Secondary normal traffic cases	2A	1.20 (1.00)	-	1.20 (1.00)	1.20	1.20	1.20 (1.00)	1.00	1.20 (1.00)	1.20	-	-	-	-	-	1.20 (1.00)	1.20 (1.00)	1.00	
	2B	1.20 (1.00)	-	1.20 (1.00)	1.20	1.20	1.20 (1.00)	1.00	1.20 (1.00)	1.20	-	-	-	1.00	-	1.20 (1.00)	1.20 (1.00)	1.00	
	2C	1.20 (1.00)	-	1.20 (1.00)	1.20	1.20	1.20 (1.00)	1.00	1.20 (1.00)	1.20	1.00	1.00	-	-	-	1.20 (1.00)	1.20 (1.00)	1.00	
Primary lateral load cases	3A	1.00	-	1.00	-	-	1.25	1.00	1.00	1.25	-	-	1.00	-	-	0.33	1.00	1.00	
	3B	1.00	-	1.00	-	-	1.25	1.00	1.00	-	-	1.00	-	1.00	-	-	1.00	1.00	
	3C	1.00	-	1.00	-	-	1.25	1.00	1.00	1.25	-	-	-	-	1.50	0.33	1.00	1.00	
3D	Not applicable																		
Traffic overload case	4	Not applicable																	
Construction cases	5A	1.20 (1.00)	1.32	1.20 (1.00)	-	-	1.20 (1.00)	1.00	-	1.20	-	-	-	0.33	-	-	1.20 (1.00)	1.00	
	5B	1.20 (1.00)	1.32	1.20 (1.00)	-	-	1.20 (1.00)	1.00	-	1.20	-	-	-	-	-	1.00	1.20 (1.00)	1.00	
	5C	1.20 (1.00)	1.32	1.20 (1.00)	-	-	1.20 (1.00)	1.00	-	1.20	-	-	-	0.33	-	-	1.20 (1.00)	1.00	

Notes: Where the effect of a possible reduction in a permanent load is critical, use of the lower bracketed load factors shall be considered.

Combination 3D applies only to the design of footbridges.

† γ_{FL} shall be as defined in 3.4.8(a)

D2.5 Reinforced concrete and prestressed concrete - General (4.2.1)

Design shall be in accordance with NZS 3101.1&2 Concrete structures standard⁽²⁾, as amended by 4.2.1, with the following further provisos:

a. Crack widths (clause 2.4.4.2)

Crack widths under the application of load combination 1A as defined in table D1 shall not exceed the limits specified in table D3 unless alternatively the requirements of NZS 3101⁽²⁾ clause 2.4.4.1(a) are satisfied.

Table D3: Crack width limits

	Exposure classification	Crack width limit
Reinforced concrete	A2, B1, B2	0.40mm
Prestressed concrete		0.30mm
Reinforced concrete	C	0.30mm
Prestressed concrete		0.20mm

b. Permissible service load stress ranges in prestressed reinforcement (clause 19.3.3.6.2(a) and (b))

The stress range due to infrequent live loading by clause 19.3.3.6.2(b) shall be taken as that applicable to live loading acting on lightly trafficked rural bridges.

D3 References

- (1) Parliamentary Counsel Office (1992) Building Regulations 1992. Schedule 1 *The building code*. Wellington.
 - (2) Standards New Zealand NZS 3101.1&2:2006 *Concrete structures standard*.
-

Superseded

Appendix E Bridge site information summary

Notes

1. This summary, together with accompanying drawings and documents, contains the basic data needed for the start of detailed design action for the proposed structure.
2. Both the scheme plan and the site plan shall accompany the bridge site information summary.
3. Section 2 can be omitted in its entirety for road and railway overbridges and underpasses.
4. The 'designated person' referred to at the start of sections 1 to 5 below would typically be:

Section 1	Basic Information:	An engineering consultant familiar with the site.
Section 2	River data: 2.1 to 2.4:	An engineering consultant familiar with the site.
	2.5 to 2.8:	Regional council or territorial authority.
Section 3	Site investigations:	A site investigator.
Section 4	Recommendations:	A senior professional engineer.
Section 5	Approvals:	A senior professional engineer.

Section 1: Basic information

To be completed by the designated person

1.1	General	
.01	Name of bridge or culvert	
.02	State highway number and section, or other route definition	
.03	Route position, ie reference station plus displacement	
.04	Name of river to be bridged or name and position of road or railway to be crossed	
.05	Roads district	
.06	Local authorities Regional council and/or territorial authority	
.07	Scheme plan: a. Number b. Date of submission to the NZ Transport Agency (NZTA) c. NZTA approval date	
.08	Site plan number	
.09	Level datum used for: a. Scheme plan b. Site Plan	
.10	Map reference (LINZ Topo50 series) Map number Date Coordinates of bridge site	East North
.11	Photographic references a. NZTA state highway aerial strip: • photographs • survey number • run number • photograph number b. Supply site photographs with date(s) taken	

1.2	Existing bridge
.01	Details <ul style="list-style-type: none"> a. Plan number b. Where held c. When built d. Deck level or reference level on deck using site plan datum e. Soffit level
.02	Where drawings are not available, provide brief description of existing bridge
.03	Overload rating <ul style="list-style-type: none"> a. Bridge classification b. Deck grading
.04	Bridge posting limits <ul style="list-style-type: none"> a. Wheel base load b. Axle load c. Speed restriction
.05	Foundations <ul style="list-style-type: none"> a. Type b. Has performance been adequate? c. Any known problems during construction? d. Append detailed information if available, eg pile size, length, penetration, driving records, borelogs, design bearing values or other, as appropriate. e. Do existing foundations restrict the location of new piers and abutments? f. Should they be removed? g. To what level? h. Why?
.06	Are there special problems at the site of the existing bridge, eg: <ul style="list-style-type: none"> a. Scour b. Settlement c. Fill stability d. Floating debris e. Corrosion f. Other - specify (provide report as appropriate)

1.3 Factors to be considered during design						
.01	Nature and volume of present traffic					
.02	Vehicle route importance category Level of serviceability to traffic Is this different from the recommended value If yes, specify	YES/NO				
.03	Nature and extent of stock traffic					
.04	Is stock or other access required under the bridge?					
.05	Services to be carried on the bridge	Side of bridge	Number	Nominal Diameter	Diameter Over Joints	Fixing Methods
	a. Sewer mains					
	b. Telecom cables					
	c. Water mains					
	d. Gas mains, state high or low pressure					
	e. Power cables					
	f. Other services					
.06	Has each authority been informed of the NZTA's policy for cost sharing?					
.07	Lighting requirements					
.08	Extreme shade temperatures °C					
.09	Has an environmental impact assessment been prepared? If so, attach copy					
.10	Does the appearance of the bridge in elevation warrant special consideration?					
.11	Preferred construction materials					
.12	Preferred deck surface material and finish					
.13	Restrictions on transport and access to site					
.14	Construction restraints at the site, eg flash floods, dewatering					
.15	Other factors to be considered					
.16	Waterway recommendation. Suggested length of bridge for consistency with:					
	a. The existing channel, or					
	b. Any existing or planned river training works					
.17	Flood clearance recommendation from natural flood stage to underside of superstructure, and any requirement for minimum waterway area.					

.18	<p>Clearances for tidal and navigable waterways</p> <ol style="list-style-type: none"> a. Type of craft, eg yachts, jet boats, barges b. Recommend the highest water level at the site above which navigational clearance should be provided. Use site plan datum. Give reasons for choice c. What is the minimum clearance and width restriction imposed by: <ol style="list-style-type: none"> i. Existing bridge ii. Other nearby structures d. From the local knowledge, what is the recommendation for the navigational channel(s): <ol style="list-style-type: none"> i. Vertical clearance ii. Centreline location and width of navigation channel 	
-----	---	--

Certification

Section 1

Prepared by:

Designation:

Certified by:

Designation:

Date

Section 2: River data

To be completed by the designated person and the regional council or territorial authority as appropriate

2.1		Catchment topography
.01	a. Area of catchment above site b. How was area obtained?	
.02	General slope (eg flat, gently rolling, rolling, hilly, mountainous)	
.03	Range of heights above sea level	
.04	Shape of catchment (eg long, circular, pear, fan)	
.05	Surface soil and subsoil (eg pumice, clay, loam, sand, rock). Give approximate percentage of catchment area for each type	
.06	Percentage cover: a. In bush, scrub or forest b. In pasture c. In cultivation d. Cleared but reverting e. In urban development	
.07	Are these percentages likely to vary in the life of the structure?	
.08	Any general comments on catchment characteristics?	
2.2		Water levels
.01	a. Normal water level, ie water level exceeded for 30% of the time, using site plan datum b. Mean velocity and orientation of this flow (show on diagram) c. How was this assessed?	
.02	a. Lowest known water level using site plan datum b. Date c. How was value obtained?	
.03	a. List highest known flood levels using site plan datum b. Orientation of flow (show on diagram) c. Date(s) d. How were values obtained?	
.04	Tidal sites: Levels at the site in terms of site plan datum. Give as many of the following levels as possible and state how data were obtained, including tide gauge reference: a. Highest known tide and data b. Lowest known tide and data c. Mean high water spring tide d. Mean high water neap tide e. Mean low water neap tide f. Mean low water spring tide	
.05	What is the approximate maximum wave height at the site?	
.06	Is water level affected by wind? Give details	

.07	Maximum size of driftwood carried at high flood flow	
.08	Bed gradient/Length over which measurements were taken	
.09	Gradient of water surface at proposed site for: <ul style="list-style-type: none"> a. Low to medium flow, specify water level at site when gradient obtained b. High flow, specify water levels at site when gradient obtained c. Gradients measured over what length of channel? d. Is length of floodway straight? If not, provide details 	
.10	<ul style="list-style-type: none"> a. Are there differences between low and high water surface slopes? b. If so, what are they and what are the reasons? 	
2.3	Waterway	
.01	<ul style="list-style-type: none"> a. Waterway area to highest known flood level at existing or nearby bridge on same stream, normal to flow b. Has this proved adequate? Give wetted perimeter c. Is flood gradient at this site similar to that in 2.2.09(b)? If not, specify 	
.02	<ul style="list-style-type: none"> a. Cross-section area of channel to highest known flood level at site of new bridge b. Is cross-section at proposed site typical of channel and floodway over a length up and downstream of at least five times width of flood waterway in each direction? c. If not, comment on variation and supply typical sections with the site drawings 	
.03	Bed material at bridge site (eg silt, sand, fine or coarse gravel), provide typical grading of bed materials	
.04	Preliminary estimate of Mannings n for <ul style="list-style-type: none"> a. Channel b. Berm c. How were values obtained? 	
.05	<ul style="list-style-type: none"> a. Summarise measurements or records of local scour measured from general bed level with corresponding location, water levels and general bed level in terms of site plan datum b. How were values obtained? 	
.06	Is the depth of scour affected by: <ul style="list-style-type: none"> a. Direction of flow? b. Local riverbed shape? c. Other local effects (specify)? 	
.07	Are moderate flood conditions critical for scour? For example, with the main channel at bank full flow	

2.4 Channel stability and river works	
.01	Is the river channel braided, meandering, incised?
.02	<ul style="list-style-type: none"> a. Are the banks stable over a length of 1km upstream and downstream of bridge site (erosion, slumping, slips, etc)? b. Are the banks stable at the existing bridge site (erosion, slumping, slips etc)? c. Is there any existing protection or riverbed control work affecting conditions at the proposed site? d. Is bank/abutment protection suggested? If so, indicate type of protection
.03	Is there any possibility of river tending to cut off approaches?
.04	Is there any escape of floodwaters upstream and is there any possibility of this being reduced or prevented in future by a river control scheme? Give appropriate details
.05	Give details of current and/or projected extraction of riverbed material
.06	Is the riverbed aggrading, degrading or stable? Give results of measurements or estimates, the period involved and indicate how results were obtained
.07	Describe the influence of any future river improvement or catchment control or development works or other activities likely to affect bridge location, area of waterway, flood stages, scour depths, layout etc.
2.5 Rainfall and water level records	
.01	Indicate variability of rainfall distribution expressed as a percentage of the average over the entire catchment.
.02	<ul style="list-style-type: none"> a. Location and map reference for the nearest rain gauge b. Length of time that records have been taken c. Type of gauge d. Relationship of records to catchment average intensity
.03	<p>Maximum recorded or known rainfall in mm</p> <ul style="list-style-type: none"> a. In 1 hour b. In 2 hours c. In 12 hours d. In 24 hours e. Above to catchment average intensity. How were records obtained? f. Corresponding return period
.04	<ul style="list-style-type: none"> a. Where is the nearest staff gauge or recorder station on this river? b. What is its number? c. Period over which water level records have been kept d. Supply stage/discharge stage/velocity and stage/area curves if available

2.6		Flood discharge	
.01	Is discharge affected by: a. Snow on catchment? b. Ponding upstream? c. Overflow from other catchments? d. Backwater from major river downstream or from lake, sea or beach barrier?		
.02	Estimated time of concentration at the site (for rational method)		
.03	For flood levels given in 2.2.03: a. Flood discharge b. Flood velocity c. Orientation of flow (show on diagram) d. Method used, ie estimate, timing debris, special measurements, rating curve, calculation e. Give estimate of reliability of results f. Average recurrence interval (ARI) of flood		
2.7		Design floods	
.01	Design rainfall in mm per hour for the time of concentration (2.6.02) on the basis of catchment average intensity. Specify standard deviation if possible		
.02	<u>Total waterway design flood</u> Design flood at the site with the recommended structure in place: a. Discharge b. Average recurrence interval (ARI) c. Mean velocity d. Water level in terms of site plan datum e. Orientation of flow (show on diagram)	Non tidal sites	Tidal sites
			MHWST
.03	<u>Level of serviceability to traffic design flood</u> Design flood to be passed without interruption to traffic: a. Discharge b. Average recurrence interval (ARI) c. Mean velocity d. Water level in terms of site plan datum e. Orientation of flow (show on diagram)	Non tidal sites	Tidal sites
			MHWST

.04	<p><u>Serviceability limit state design flood</u></p> <p>Design flood to be used for the serviceability limit state of the bridge:</p> <ol style="list-style-type: none"> Discharge Average recurrence interval (ARI) Mean velocity Water level in terms of site plan datum Orientation of flow (show on diagram) 	Non tidal sites	Tidal sites	
			MHWST	MLWST
.05	<p><u>Ultimate limit state design flood</u></p> <p>Design flood to be used for the ultimate limit state of the bridge:</p> <ol style="list-style-type: none"> Discharge Average recurrence interval (ARI) Mean velocity Water level in terms of site plan datum Orientation of flow (show on diagram) How was the estimate of the ultimate limit state design flood obtained? Attach calculations 	Non tidal sites	Tidal sites	
			MHWST	MLWST
	<p>Design flood to be used for the ultimate limit state of the bridge when the bridge deck level is overtopped by 200mm</p> <ol style="list-style-type: none"> Discharge Average recurrence interval (ARI) Mean velocity Water level in terms of site plan datum Orientation of flow (show on diagram) Detail the nature of any elements of the bridge likely to cause retention of debris at overtopping of the deck Attach calculations 			
.06	<p>State the calculated level of general scour at the proposed site (in terms of the site plan datum) under the design flood conditions assuming that the proposed structural elements constrict flow less than 10%. In addition, for cases where proposed approaches and fills are likely to constrict flow, the effects of these constrictions are to be calculated. Attach calculations and sketches</p>			
.07	<p>State the calculated levels of local and abutment scour at the proposed site (in terms of the site plan datum) under the design flood conditions. Calculations are to take into account the effect at constrictions. Attach calculations and sketches</p>			
.08	<p>Are the estimates of scour for the design floods appropriate for the site and the nature of the recommended structure? Should a more conservative level of scour be considered? Specify</p>			

.09	General comments on the determination of scour and bank stability	
.10	Describe the anticipated levels of scour under Ultimate Limit State design floods Is the structure overtopped at a lower ARI flood than the Ultimate Limit State design flood? Describe the anticipated levels of scour under the overtopping design flood	
2.8	General	
.01	a. Are resource consents required? b. If so, what is the status of the application?	
.02	Any general comments on river characteristics or problems?	

Certification

Section 2

Prepared by:	<input type="text"/>	Designation:	<input type="text"/>
Certified by:	<input type="text"/>	Designation:	<input type="text"/>
Date	<input type="text"/>		

Section 3: Site investigations

To be completed by the designated person

3.0	Site investigations	
.01	Where some investigations have been carried out on the site <ol style="list-style-type: none"> a. Type of investigations: <ol style="list-style-type: none"> i. Walkover survey ii. Test pits iii. Penetrometer tests iv. Bores v. Test piles vi. Other, specify b. Show locations on site plan and provide a record of number, locations, depths, results, interpretation and conclusions c. Outline further investigations proposed 	
.02	Where no investigations have been carried out at the site: <ol style="list-style-type: none"> a. Describe the surface and anticipated subsurface conditions at the site for design report purposes b. What investigations are proposed? 	
.03	What is the depth of scourable material in the riverbed?	
.04	<ol style="list-style-type: none"> a. Are atmospheric, water and soil conditions likely to be aggressive to construction materials? b. If so, state details 	
.05	Position of abutments to provide safety against failure of banks caused by superimposed loading	
.06	Recommended safe batter slopes for approach earthworks (with allowance for seismic conditions)	
.07	Is consolidation or differential settlement likely at the bridge or approaches? If so, give details	
.08	Density of concrete made from local materials	
.09	Probable abrasive effect of material transported by the river on concrete and steel	
.10	Comment on presence of active geological faults	

Certification**Section 3**

Prepared by:

Designation:

Certified by:

Designation:

Date

Section 4: Recommendations

To be completed by the designated person

4.0	Recommendations	
.01	State any specific environmental (including aesthetic) considerations which should be allowed for in the design	
.02	Is a landscape design required? If so, who will be responsible?	
.03	Length of bridge or size of culvert	
.04	Clearance from natural flood stage to soffit of superstructure	
.05	State the preferred construction material and structural form	
.06	Do site conditions indicate specific pier or abutment locations? If so, show on site plan and state reasons	
.07	Suggested bridge foundations: <ol style="list-style-type: none"> Type Depth Capacity General comments 	
.08	<ol style="list-style-type: none"> Preferred type of surface drainage layout for bridge and approaches Type, size, location of channels Preferred type and size of kerb Preferred type and size of side protection. Provide sketches as appropriate 	
.09	General comment	

Section 5: Approvals obtained

To be completed by the designated person

5.0	Approvals	
.01	Have proposals been discussed in detail with: <ol style="list-style-type: none"> Regional council Territorial authority. Specify Other interested parties. Specify 	
.02	Give file reference and date of the agreement or approval: <ol style="list-style-type: none"> Regional council Territorial authority. Specify. Other interested parties. Specify. 	
.03	<ol style="list-style-type: none"> Where over tidal or navigable waters have details been submitted to the Maritime Safety Authority for marine approval? Has marine approval in fact been granted? 	
.04	General comments and factors arising from 5.01 and 5.02 which should be considered in the design	

Certification			
Sections 4 and 5			
Prepared by:	<input type="text"/>	Designation:	<input type="text"/>
Certified by:	<input type="text"/>	Designation:	<input type="text"/>
Date	<input type="text"/>		

Superseded

Appendix F Technical approval and certification procedures

In this section	Section	Page
	F1 Introduction	F-2
	F2 Technical approval requirements	F-2
	F3 Requirements for project feasibility and detailed business case	F-7
	F4 Requirements for design and project documentation	F-8
	F5 Certification requirements	F-11
	F6 Category of structures	F-12
	F7 References	F-15
	Annex F1 Model technical approval documents	F-16
	Annex F2 Model certificates	F-26

Note

This appendix gives the 'technical approval' and certification procedures required by the NZ Transport Agency for highway structures on state highways.

The procedures described herein shall be used wherever possible. At the time of publication of this amendment 1, however, users should note that the Transport Agency's relevant contract documentation for the design and construction of highways does not wholly reflect the requirements detailed and some terminology will differ. The procedures should therefore be considered as a final draft document.

Use of the procedures shall be confirmed with the relevant Transport Agency project manager and any conflict in requirements between the procedures and contract documentation shall be resolved with the project manager.

In finalising these procedures the Transport Agency will be consulting with prospective users, project managers and key stakeholders. Comments will be welcomed and should be directed to bridgemanual@nzta.govt.nz.

F1 Introduction

This appendix gives the 'technical approval' and certification procedures required by the NZ Transport Agency (the Transport Agency) for highway structures on state highways. Use of the procedures by other road controlling authorities may be considered appropriate.

The procedures consist of the submission of proposals for agreement by the Transport Agency and the subsequent provision and acceptance of certificates confirming that the design complies with the agreed structure design statement and the construction works are in accordance with the design.

The procedures have been developed from previous requirements of the Transport Agency and BD 2 *Technical approval of highway structures*⁽¹⁾ produced by the UK Highways Agency.

The technical approval procedures as described in this appendix require the development of structure options reports and structure design statements, that are submitted to the Transport Agency at three distinct stages in the project cycle, and the acceptance of these documents by the Transport Agency before detailed design is commenced. Technical approval is a continuing exercise that should start at an early stage of development of proposals.

Certification is then required in the form of design, design review, construction and construction review certificates. These confirm that the design has been implemented in accordance with the structure design statement (or the Transport Agency's standards or specifications for simpler structures) and the construction has been implemented in accordance with the design.

These technical approval and certification requirements are separate to any requirements to demonstrate compliance with the *Building code*⁽²⁾ to external agencies where this is required. It is however anticipated that the documents required for technical approval and certification will assist in that process.

Figure F1 indicates the various steps required for technical approval and certification.

F2 Technical approval requirements

F2.1 Scope The technical approval procedures, as described in this appendix and summarised in F1, apply to the highway structures listed below. Certification requirements are discussed in F5.

- a. bridge, stock underpass, pedestrian subway supporting a state highway
- b. culvert or multiple culverts with a total clear opening (waterway area) greater than 3.4m²
- c. critical small culvert
- d. bridge over or adjacent to a state highway, including footbridge and cycle bridge
- e. overhead crossing of state highway carrying conveyor or utility service
- f. earth retaining structure (including reinforced/strengthened soil/fill structures) where the effective retained height, ie the level of the fill at the back of the structure above the finished ground level in front of the structure, is greater than 1.5m or the structure is associated with a bridge

F2.1 continued

- g. critical river and coastal protection works
- h. portal and cantilever sign and/or signal gantry
- i. cantilever mast for traffic signal and/or speed camera
- j. lighting column
- k. high mast for lighting (generally more than 16m in height, ie the vertical distance from top of post to bottom of flange plate)
- l. mast for camera, radio and telecommunication transmission equipment
- m. fence greater than 2.5m in height
- n. noise wall
- o. large roadside highway signs (with panel area greater than 4.7m²)
- p. small roadside highway signs on posts of more than 7m in height, ie the vertical distance from top of post to bottom of flange plate or top of foundation whichever is the lesser.

In all cases the technical approval process shall include stability of the ground in which the structure is located. The procedures shall also apply to the stability of slopes not affecting bridges.

F2.2 Category of structures

For the purposes of this appendix, structures subject to technical approval shall be placed in one of four categories: 1, 2, 3 or 4, according to the criteria described in F6.2. The category shall be proposed by the design firm and agreed by the Transport Agency, except for design and construct (D&C) contracts where the category shall be detailed in the principal's requirements. The category boundaries are not rigid. In case of doubt each case shall be decided in consultation with the Transport Agency on its merits, having regard to potential consequences of failure, design complexity and whole of life costs.

Structure options reports and structure design statements are required for categories 1, 2 and 3, but not category 4. The level of input to these documents is generally expected to be commensurate with the stage of the project and the complexity, and hence category, of the structure.

Structures that do not require technical approval remain subject to certification requirements and shall be considered as 'uncategorised' structures. They typically are simple structures and do not require building consent.

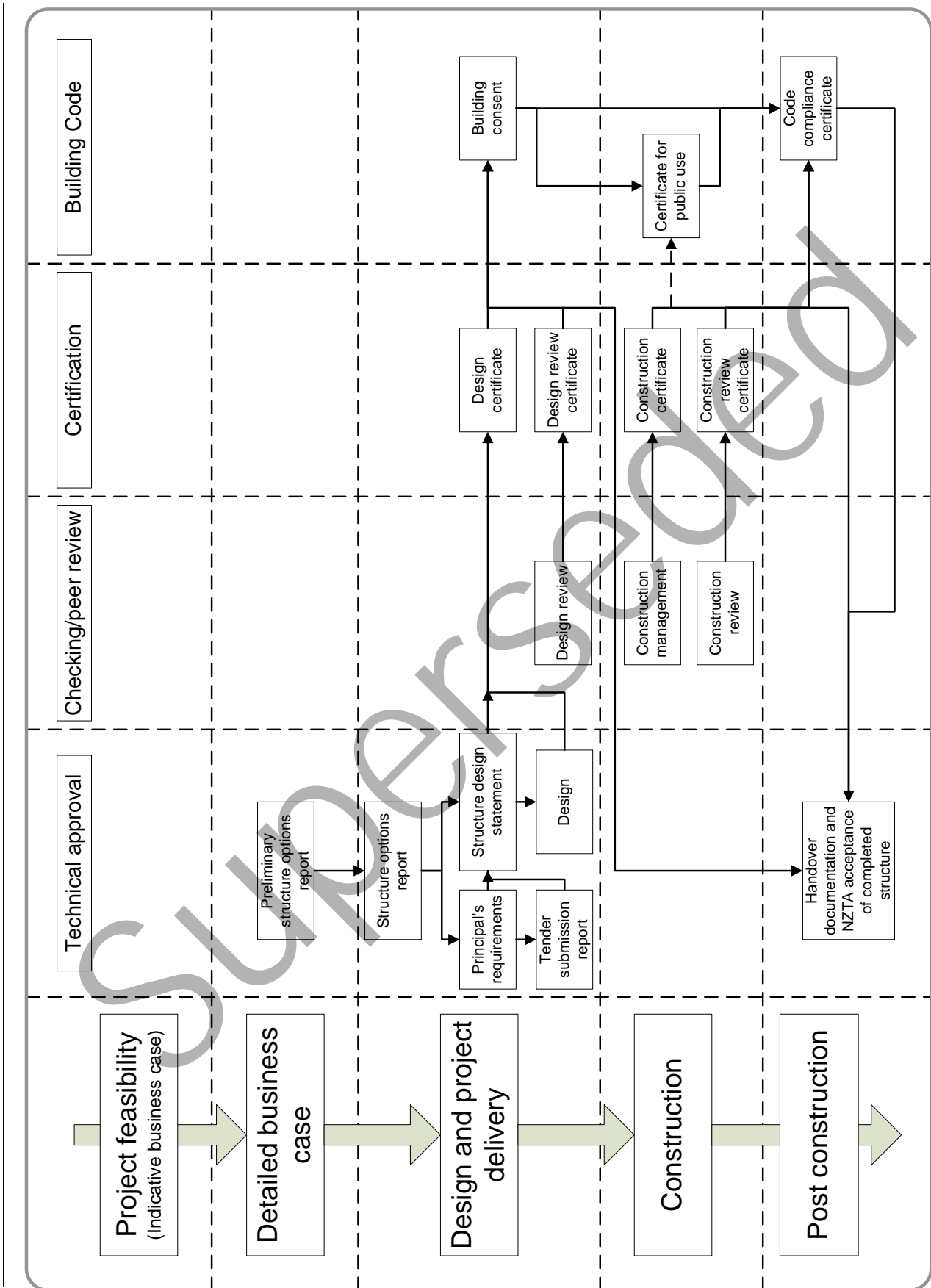
The technical approval and certification requirements for each category of structure are shown in table F1.

F2.3 Structure options reports and structure design statements

The documentation that is required for technical approval shall be developed in stages as the level of knowledge increases through the project phases. Generally the documents shall be produced at three stages: a preliminary structure options report as part of the detailed business case; a structure options report at the commencement of the design phase; and a structure design statement prior to detailed design. The general requirements for the documents at each project phase are given in F3 and F4. Model documents are included in annex F1.

The structure options reports shall form an engineering and urban design appreciation of the need for the structure, the factors which influence the design, the proposed requirements and standards to apply to the design of the structure, the alternative forms the design can take, the reasons for selection of one of these alternatives as being more suitable than the others and an assessment of the cost.

Figure F1: Technical approval and certification process diagram



F2.3 continued

The structure design statement, once accepted by the Transport Agency, sets out the agreed form and nature of the structure to be designed during final design, including the design requirements and standards, and the design methodology. During final design, should the design firm deviate significantly from the form and nature of structure or the design procedure set out in the structure design statement, a revised structure design statement shall be submitted for acceptance by the Transport Agency.

For some methods of procurement of the physical works such as design and construct, the structure options report, once accepted by the Transport Agency, will generally present the specimen design. Principal's requirements will be prepared to define the fundamental requirements to be satisfied by the design. Subsequently a contractor's tender submission report will set out the proposed option for detailed design.

For an alternative proposal to a fully detailed conforming design, the alternative design shall be compared against the conforming design and the outcomes included in an updated structure design statement, which shall accompany the tender submission.

Table F1: Technical approval and certification requirements for each category of structure

Category	Preliminary structures options report	Structures options report	Structure design statement	Design certificate	Design review certificate	Construction and construction review certificates	Building code compliance required ¹	Building consent
1	✓	✓	✓	✓	✓	✓	✓	✓ ²
2	✓	✓	✓	✓	✓	✓	✓	✓ ²
3	✗	✓ ³	✓ ³	✓	✓	✓	✓	✓ ²
4	✗	✗	✗	✓	✓	✓	✓	✓ ²
U	✗	✗	✗	✓	✗	✓	✓	✗ ⁴

Notes:

1. Where applicable (ie not earth slopes).
2. Unless defined as exempt building work in schedule 1 of the Building Act 2004.
3. An abbreviated document is acceptable.
4. Any structure that requires building consent shall not be considered as an uncategoryed structure.

F2.4 Site information

The design firm shall ensure that there is sufficient site information to form the basis of the structure options report or structure design statement. The bridge site information summary given in appendix E is a suitable checklist. However, it is the design firm's responsibility to ensure that the information is sufficiently comprehensive to enable sound judgement to be made on all aspects of the design. This applies particularly to subsurface and hydrological information and if these or other data are not adequate the design firm shall obtain the necessary information before the structure design statement is produced.

F2.5 Structure options reports and structure design statements approval and approval for construction commencement

Structure options reports and design statements shall be approved for release, signed and dated by a senior design representative who has the authority to sign on behalf of the consultancy or contractor providing the design service. The name(s) of the author(s) of the document shall also be included on the cover page.

The consultancy or contractor providing the design service shall obtain the Transport Agency's acceptance of the structure options report or structure design statement. Space for acceptance and comments by the Transport Agency shall be provided as shown in the model documents in annex F1.

F2.5 continued	<p>The structure design statement shall be accepted by the Transport Agency prior to any construction works associated with the structure proceeding. Such acceptance shall be for the whole structure in its entirety including foundations, any supporting earth embankment structures and associated ground improvement works (eg beneath pad foundations or ground improvement works for liquefaction mitigation purposes).</p>
	<p>Changes to the proposed structure and design requirements and standards for an agreed structure design statement (sections 2 and 3 of the model document in annex F1) to account for subsequent variations during design or construction render the structure design statement subject to re-approval and agreement by the Transport Agency. This must be confirmed either in the form of an amended version of the agreed structure design statement or as a separate addendum to the agreed structure design statement.</p>
F2.6 Contractual responsibilities and procedures	<p>Technical approval does not in any way modify and reduce the contractual and statutory responsibilities of any party for the work carried out or the legal responsibilities of professional engineers.</p> <p>This appendix has been written such that it is applicable in principle to all current and likely future forms of procurement. The procedures, format and terms used in this appendix, including the model structure options report and structure design statement provided in annex F1, are intended to be contract-neutral and should be taken as models.</p> <p>The model structure options report and structure design statement provided in annex F1 shall be amended and agreed with the Transport Agency, to suit specific contract requirements. Timings and procedures should be identified in the scheme specific contract requirements.</p> <p>For some forms of procurement, the technical approval process would typically be completed before tenders for carrying out the construction work required by the design are invited. For other forms of procurement, where the design has not been completed prior to inviting tenders, the technical approval process would typically only be partially completed prior to or during the tender period. Submission of a structure design statement would usually take place following award of contract.</p>
F2.7 Building code requirements	<p>All new building work in New Zealand must comply with the <i>Building code</i>⁽²⁾. The design and construction or alteration of all highway structures that are buildings under the terms of the Building Act 2004 shall thus comply with the <i>Building code</i>⁽²⁾. Design firms and constructors are likely to be required to demonstrate compliance with the <i>Building code</i>⁽²⁾ on behalf of the Transport Agency through the <i>Building consent and inspections process</i>⁽³⁾.</p> <p>Technical approval should be considered as separate to the requirements of the Building Act 2004. It is however anticipated that the documents required by the technical approval process will assist in demonstrating compliance with the <i>Building code</i>⁽²⁾.</p>
F2.8 Design review requirements	<p>Details of the design review requirements for designs are given in F4.7. Requirements for the peer review of structure options reports and structure design statements shall be detailed in the contract documentation for the scheme.</p>
F2.9 Departures from standards	<p>Design firms may seek to introduce cost savings, innovative techniques, research findings or developments in the state of the art by the adoption of departures from standards.</p> <p>All applications for departures shall be subject to the approval procedures of the Transport Agency and details of the proposed departures together with reasons and justification, including benefits to the Transport Agency, shall be submitted for consideration.</p>

F2.10 Evaluation and related construction work

In general the evaluation of load carrying capacity of existing structures and related construction work such as demolition, repair, renewal, refurbishment and strengthening work that affects structural integrity should follow the same technical approval process and be categorised on the same basis that the original structure would have warranted.

F3 Requirements for project feasibility and detailed business case

F3.1 Project feasibility

Generally the early feasibility stages of a highway project (the indicative business case) will have no specific requirements for structures technical approval. Scoping of the project at this stage will develop an understanding of the existing environment and transport and functional requirements of the structure.

Where required to support an indicative business case, a preliminary structures options report, as detailed in F3.2, in so far as knowledge of the site constraints permit, shall be provided.

F3.2 Detailed business case

A detailed business case will generally be undertaken to establish the need, requirements and constraints on construction of a highway scheme. The detailed business case may address a length of highway or it may refer only to a particular structure. The detailed business case shall include a preliminary structures options report unless specifically excluded.

The detailed business case will generally establish preferred geometry for the alignment, define roadway and footpath widths (if any), and identify specific matters to be addressed during the design. It may be based on limited site investigations, where unknown geological conditions might influence the feasibility of scheme options. Where appropriate, it will include input from other authorities such as a regional authority.

Where a preliminary structure options report is not produced during the detailed business case, any constraints to structure design options that are identified shall be summarised in the business case for implementation for the scheme, for reference during subsequent stages of design development.

F3.3 Preliminary structure options report

Preliminary structure options reports shall consist of the following sections as detailed in the model document included in annex F1:

- Introduction
- Factors influencing design
- Design options (for each option)
- Description of preferred structural option
- Drawings and documents.

The preliminary structure options report may be based on limited information. The inputs shall be consistent with the scale of the project. Any significant issues requiring further investigations shall be highlighted.

F4 Requirements for design and project documentation

F4.1 General

During this stage the design of an approved option for a highway scheme will be undertaken. This may either be a complete detailed design or the development of a specimen design that is subsequently followed by a detailed design by a contractor's design firm under a separate contract.

Initially, a structure options report will be developed to identify the recommended option that is either to be continued to detailed design or presented as a specimen design. Once this option has been accepted by the Transport Agency, and prior to the commencement of detailed design, a structure design statement will be developed providing full details of the proposed structure and how it will be designed and constructed.

The recommended option, once accepted, may sometimes be used for the purpose of obtaining project resource consents before detailed design is completed.

F4.2 Structure options report

Structure options reports, shall build on the information presented in the preliminary structure options report. They shall consist of the following sections as detailed in the model document included in annex F1:

- Introduction
- Factors influencing design
- Design options
- Description of proposed structure (preliminary details)
- Proposed design requirements and standards
- Geotechnical conditions (preliminary)
- Drawings and documents.

An estimate of cost shall be given for each option showing the total cost and for bridges the cost per m² of overall deck area. The date of the estimate for each option shall be stated. For the purpose of economic comparison between options, including any differences in the approaches, the requirements of the Transport Agency's *Economic evaluation manual*⁽⁴⁾ shall be met, and shall include consideration of future maintenance costs.

An option shall be recommended for final design or specimen design with supporting justification provided. This shall be the design that is the most appropriate solution and gives the best value for money, taking account of direct construction and maintenance costs, as well as the benefits in terms of the Transport Agency's reputation, easing of any consent processes and the quality of the public environment. This is not necessarily the cheapest option. The design firm shall also recommend such further investigation as is considered necessary for completion of the final design.

The recommended option shall be shown on the drawings. Other options considered may also be shown in less detail. The drawings of the recommended option shall include a plan, elevation and cross-section of the structure and for bridges shall show all relevant geometric, traffic clearances (as appropriate), hydrological (as appropriate), foundation, structural layout, and side protection data. Seismic design features, materials, finishes, and features important to the structure's urban design performance, shall be identified. A locality plan shall also be included.

F4.2 continued

For some methods of procurement of the physical works, such as design and construct, the structure options report will present the proposed specimen design solution and recommendations for inclusion in the principal's requirements. In such instances the structure options report need only be an abbreviated document as it will not be a proposed design that is being put forward, rather a set of design requirements.

F4.3 Principal's requirements

Where the method of procurement of the physical works is such that principal's requirements are required, they shall be developed in accordance with the requirements set out in the contract documentation for the scheme. In addition to specifying the technical standards and performance requirements to be met, the principal's requirements shall reflect all factors affecting the design of the specimen design as stated in the structure options report. To the extent conceivable by the design firm, factors affecting the design should also be set out for possible alternatives from the specimen design that tenderers for the contract could be likely to offer.

F4.4 Tender submission report for design and construct contracts

For design and construct contracts each tendering contractor shall include for each structure of category 1, 2 or 3 a structure options report for the contractor's conceptual design as part of the tender submission report.

The structure options report need only be an abbreviated document addressing the following sections as detailed in the model document included in annex F1:

- Description of proposed structure (preliminary details)
- Proposed design requirements and standards
- Geotechnical conditions (preliminary)
- Drawings and documents.

F4.5 Structure design statement

For the option accepted for detailed design, a structure design statement shall be produced before commencement of detailed design that provides sufficient data to permit a full review of the proposal. It shall encompass the complete structure, including all supporting structure and all works on which the structure relies for its integrity. For bridges, this includes the adjacent approach earthworks and natural ground, bridge site ground improvement works to mitigate liquefaction or instability, and scour protection works.

The time taken to complete technical approval will vary according to the size and complexity of the structure and number of departures. To avoid any unnecessary delay, technical approval may be given in stages through the use of an interim structure design statement as details are evolved and agreed. However the use of an interim structure design statement will not be allowed to prejudice the agreement of a structure design statement for the full structure.

The structure design statement shall include the following sections as detailed in the model document included in annex F1:

- Introduction and description of the proposed structure
- Proposed design details (satisfying requirements related to form, function and durability)
- Structural analysis and design
- Design process matters
- Geotechnical conditions
- Drawings and documents.

F4.5 continued

For structures that are expected to have a significant visual impact on their environment, or are to be integrated within an existing urban environment, perspective drawings, a photomontage or a scale model shall be provided, which describe the structure in situ.

An outline of how the construction is to be checked for compliance, highlighting head design firm monitoring and quality control inspection and checking requirements shall be provided.

Where an alternative to a fully detailed conforming design is proposed by the contractor during tendering, the structure design statement for the conforming design shall be updated to compare the alternative design with the conforming design.

For design and construct, early contractor involvement (ECI) and alliance contracts the structure design statement shall include:

- A summary of the design firm's interpretation of the principal's requirements for the physical deliverables, methodology and standards.
- A description of how the proposed design addresses the principal's requirements.

F4.6 Reference document schedule

Documents relevant to the design, construction, maintenance and operation of the structure shall be listed in a reference document schedule to be included in the structure design statement. In some forms of contract, such as design and construct, these may be contained in the contract requirements. The reference document schedule will normally include the Transport Agency's *Bridge manual* and other supplementary standards for specific project requirements.

F4.7 Design review requirements

As a minimum, designs and drawings shall be design reviewed as follows:

- a. Categories 3 and 4 require a design review to be undertaken by a checker competent in the area being reviewed, who may work in the same company and in the same office, but is not involved in the design. The design review may be part of the internal design verification.
- b. Category 2 requires a design review to be undertaken by a checker who is professionally independent of the individuals (working either for the design firm or where relevant the contractor) responsible for the design. The review may be undertaken by subsidiary company, or different office of the same company. However the design review certificate must be signed by a different individual to that who signs the design certificate and the checker and his team must have had no involvement in the design or design verification.
- c. Category 1 requires a design review to be undertaken by a checker who is independent of (has no professional or financial interest in) the design firm and where relevant the contractor and their associated companies. The review may not be carried out by a subsidiary company or different office of the same company. The checker shall have the expertise and experience appropriate for the complexity of a category 1 structure.

Where for building consent purposes a design review producer statement (PS2) is required to be provided by a different design firm to that providing the design producer statement (PS1), the checker will need to be wholly independent of the design firm.

The design review firm shall carry out a comprehensive examination of all aspects of the design and shall ensure that it complies with the Transport Agency's requirements as set out in an accepted structure design statement. The design review firm shall ensure that the design is translated accurately into design details, drawings and specification clauses.

F4.7 continued

The design review firm's analytical work shall be independent of that of the design firm and carried out without exchange of calculation sheets or similar information between the design firm and the design review firm.

The method of analysis employed by the respective teams need not be the same but the design firm and the design review firm should consult with each other during the course of their work to ensure that the results they are obtaining are comparable.

All design review firms shall follow the certification requirements of F5, regardless of the category of the structures reviewed.

Consenting authorities may require more independent design reviews to satisfy their requirements for building consent. The Transport Agency will generally accept such requirements in order to prevent any duplication of reviews.

F4.8 Construction review requirements

Unless otherwise indicated in the contract documentation for the scheme, a proposed level of construction contract management and surveillance shall be determined using table A4(i) in appendix 4 of the ACENZ/IPENZ *Guideline on the briefing and engagement for consulting engineering services*⁽⁵⁾ and detailed in the structure design statement.

F5 Certification requirements

F5.1 Design certification

On completion of the final design for a structure, and before construction, the design firm and design review firm shall certify to the Transport Agency that the design complies with the Transport Agency's requirements as detailed in the relevant structure design statement (for category 1 to 3 structures) or the Transport Agency's standards or specifications (for category 4 and uncategorised structures) and any subsequent amendments agreed with the Transport Agency.

F5.2 Construction certification

On completion of the construction for a structure, the contractor and construction review firm shall certify to the Transport Agency that the construction complies with the design and any subsequent amendments agreed with the Transport Agency.

F5.3 Model certificates

Certificates shall be signed to certify the satisfactory completion of the work involved and that the organisations concerned have exercised due professional skill and care.

Model certificates are contained in annex F2. They can also be found in the relevant sections of the *State highway construction contract proforma manual*⁽⁶⁾. However, the wording may vary depending on the Transport Agency's particular requirements/type of contract.

Representatives of the design firm, design review firm, contractor and construction review firm shall sign each certificate as appropriate. All signatories to the certificates shall be competent in the field of work undertaken; have relevant experience and appropriate engineering qualifications, which shall be clearly indicated on the certificate along with their name and position in their organisation; and shall be authorised to sign the certificate on behalf of their organisation.

Certificates that will typically be required are:

- Design and design review certificate (for use with category 3 and 4 structures only)
- Design certificate
- Design review certificate
- Construction certificate
- Construction review certificate.

F5.4 Building consent requirements

Where required the relevant building consents, code compliance certificates, and certificates for public use (if used), shall be obtained by the design firm or contractor, on behalf of the Transport Agency, from the building consent authority.

In order to satisfy the building consent authority that the structure complies with the *Building code*⁽²⁾ producer statements, in addition to the certificates that are required herein, are likely to be required. Copies of all submissions and the consents received shall be provided to the Transport Agency.

Note that an exemption of the requirement to obtain building consent and code compliance granted by the building consent authority does not constitute an exemption of the need to comply with the *Building code*⁽²⁾.

F6 Category of structures

F6.1 Category

As described in F2.2 structures subject to technical approval shall be placed in one of four categories. Slopes affecting structures shall be categorised as for the structure. The following criteria shall be considered when determining category:

Category 4:

Simple structures, which conform to the Transport Agency's *Bridge manual* or Transport Agency standard specifications and contain no departures, provided they also conform to one of the following:

- a. critical small culvert with a total clear opening (waterway area) less than or equal to 3.4m²
- b. noise walls less than 2.5m high and without overhangs
- c. fence greater than 2.5m in height
- d. lighting columns within the scope of NZTA M26⁽⁷⁾
- e. CCTV masts of less than or equal to 15m height
- f. cantilever masts for traffic signals and/or speed cameras:
 - less than 8.5m height
 - with cantilever projection less than 8.5m
 - with any horizontal projected area suspended above the carriageway not exceeding 1.2m² or vertical projected area not exceeding 0.3m²
- g. other mast structures that are less than 10m in height and where the horizontal arm projection is less than 3m
- h. highway signs
 - small signs (with panel area less than or equal to 4.7m²) on posts that are more than 7m in height but less than 12m in height
 - large signs (with panel area greater than 4.7m²) on posts that are less than 12m in height
- i. earth slopes not affecting bridges within the parameters of route importance level 1 in accordance with table 2.3 of the *Bridge manual*.

F6.1 continued

Category 3:

Simple structures, other than those in category 4, which conform in all aspects of design and construction to the Transport Agency's *Bridge manual* and Transport Agency standard specifications and contain no departures, provided they also conform to one of the following:

- a. bridges with a single simply supported span of less than 20m and having less than 25° skew
- b. buried concrete box, buried rigid pipes and corrugated metal buried structures with less than 8m clear span
- c. earth retaining structures with an effective retained height of 1.5m or greater but less than 5m
- d. critical river and coastal protection works that are less than 5m in height
- e. noise walls 2.5m or more in height or with overhangs
- f. lighting columns outside the scope of NZTA M26⁽⁷⁾
- g. CCTV masts not within the parameters of category 4
- h. cantilever masts for traffic signals and/or speed cameras not within the parameters of category 4
- i. portal and cantilever sign and or signal gantries with a span of less than 20m
- j. other mast structures that are more than 10m in height but less than 25m in height, or where the horizontal arm projection is more than 3m
- k. highway signs on posts that are 12m or more in height
- l. earth slopes not affecting bridges within the parameters of route importance level 2 in accordance with table 2.3 of the *Bridge manual*.

Category 2:

Intermediate structures, not within the parameters of categories 1, 3 or 4. These include:

- a. bridges with any of the following features, unless considered a category 1 structure:
 - a single simply supported span 20m or greater but less than or equal to 50m
 - multiple simply supported or continuous spans, all of which are less than or equal to 50m
 - a skew of 25° or greater but less than or equal to 45°
- b. buried concrete box, buried rigid pipes and corrugated metal buried structures with clear span of 8m or greater
- c. overhead crossing of a state highway, including footbridge and cycle bridge, unless considered a category 1 structure
- d. earth retaining structures with an effective retained height of 5m or greater but less than 14m
- e. critical river and coastal protection works that are 5m or more in height
- f. portal and cantilever sign or signal gantries with a span of 20m or greater
- g. mast structures that are 25m or more in height
- h. earth slopes not affecting bridges within the parameters of route importance level 3 in accordance with table 2.3 of the *Bridge manual*.

F6.1 continued

Category 1:

Complex structures, which require out of the ordinary sophisticated analysis or with any one of the following features:

- a. high structural redundancy, highly structurally indeterminate
- b. unconventional, novel or esoteric design aspects
- c. any span exceeding 50m
- d. skew exceeding 45°
- e. curved bridges where the curvature requires specific analysis
- f. bridges where any continuous length of superstructure between movement joints exceeds 200m
- g. bridges where the superstructure is integral with the piers
- h. difficult foundation problems, including where prone to liquefaction
- i. moveable bridges
- j. bridges with suspension systems
- k. steel orthotropic decks
- l. earth retaining structures with an effective retained height of 14m or greater
- m. earth slopes not affecting bridges within the parameters of route importance level 4 in accordance with table 2.3 of the *Bridge manual*.

F6.2 Uncategorised structures

As described in F2.2 simple structures that do not require building consent and are not subject to technical approval, but remain subject to certification requirements are considered as 'uncategorised' structures. These include:

- a. non-critical small culverts with a total clear opening (waterway area) less than or equal to 3.4m²
- b. earth retaining structures with an effective retained height of less than 1.5m
- c. non-critical river and coastal protection works
- d. fences less than or equal to 2.5m in height
- e. small signs (with panel area less than or equal to 4.7m²) on posts that are less than or equal to 7m in height

F7 References

- (1) Highways Agency (2012) BD 2/12 *Technical approval of highway structures*. TSO, London, United Kingdom. Use of this information is licensed under the terms of the Open Government Licence
<www.nationalarchives.gov.uk/doc/open-government-licence/>.
 - (2) Parliamentary Counsel Office (1992) *Building Regulations 1992. Schedule 1 The building code*. Wellington.
 - (3) Ministry of Business, Innovation & Employment *Building consent and inspections process*. Last accessed 24 September 2014.
<www.dbh.govt.nz/blc-building-consentinspect-process>
 - (4) NZ Transport Agency (2013) *Economic evaluation manual*. Wellington.
 - (5) ACENZ/IPENZ (2004) *Guideline on the briefing and engagement for consulting engineering services*. Last accessed 24 September 2014.
<www.ipenz.org.nz/ipenz/forms/pdfs/Guidelines_briefing_engagement.pdf>
 - (6) NZ Transport Agency (2011) *State highway construction contract proforma manual (SM031)*. Wellington.
 - (7) NZ Transport Agency (2012) *NZTA M26 Specification for lighting columns*. Wellington.
-

Annex F1 Model technical approval documents

This annex contains the following model documents that shall be developed in accordance with this appendix F, unless otherwise specified in the relevant contract documentation:

- Preliminary structure options report
 - Structure options report
 - Structure design statement
-

Superseded

PRELIMINARY STRUCTURE OPTIONS REPORT	
Name of project
Name of bridge or structure
Location

1. INTRODUCTION

- 1.1 Reasons for the construction of the structure
- 1.2 General site description

2. FACTORS INFLUENCING DESIGN¹

- 2.1 Service requirements (function)²
- 2.2 Foundation (subsurface) conditions
- 2.3 Urban design considerations³
- 2.4 Geometrics (vertical and horizontal alignment)
- 2.5 Hydrology
- 2.6 Constraints on span arrangement and clearances
- 2.7 Constraints on construction methods
- 2.8 Constraints on construction materials
- 2.9 Interaction of construction with traffic flows
- 2.10 Site seismic hazard⁴
- 2.11 Environmental considerations and constraints

3. DESIGN OPTIONS (for each option)

- 3.1 Structural forms and modes of behaviour
- 3.2 How the design addresses the factors influencing the design
- 3.3 Likely methods of construction
- 3.4 Construction materials and durability
- 3.5 Cost estimates⁵

4. DESCRIPTION OF PREFERRED STRUCTURAL OPTION (PRELIMINARY)

- 4.1 Description of structure option⁶
- 4.2 Structural type⁷
- 4.3 Span arrangements
- 4.4 Foundation type
- 4.5 Proposed arrangements for construction⁸
- 4.6 Risks and hazards considered⁹
- 4.7 Estimated costs of proposed structure option
- 4.8 Recommended design requirements and standards¹⁰

5. DRAWINGS AND DOCUMENTS

- 5.1 Drawings and documents accompanying the preliminary structure options report¹¹
-

6. SUBMISSION AND ACCEPTANCE

6.1 Submitted to the NZ Transport Agency for acceptance:

Signed _____
Name _____
Engineering Qualifications _____
Name of organisation _____
Date _____

6.2 Accepted/Rejected on behalf of the NZ Transport Agency subject to the amendments and conditions below:

Signed _____
Name _____
Position held _____
Engineering Qualifications _____
Date _____
Amendments/conditions _____

Notes

1. Significant factors that affect the design shall be discussed, including those listed
2. eg type of highway, permitted traffic speed, traffic volume, pedestrians, cyclists, utilities to be provided for
3. Include the influence of urban design on the structure and its environs (refer section 2.6.3 of the *Bridge manual*)
4. Include subsoil conditions, and the potential for site instability or liquefaction
5. Include consideration of future maintenance costs
6. Describe the proposed structure including details in respect to the urban design of the structure and its environs
7. Proposed details relevant to the structural behaviour, including details related to the provision of seismic resistance, accommodation of thermal and settlement effects, and articulation of the structure
8. The construction methodology and traffic management to be adopted including details of any interface with existing structures
9. A summary of a risk analysis and of special features of the design that are critical to its success and/or that require special attention during construction. List only risks and hazards that would not be apparent to an experienced and competent contractor
10. The recommended design standards and requirements are those that directly impact on cost - for example geometric standards, provision for major services, importance level, liquefaction mitigation etc.
11. Include, without limitation:
 - a) General arrangement drawing
 - b) Relevant correspondence and documents from consultations

STRUCTURE OPTIONS REPORT	
Name of project
Name of bridge or structure
Location

1. INTRODUCTION

1.1 Reasons for the construction of the structure

1.2 General site description

2. FACTORS INFLUENCING DESIGN¹

2.1 Service requirements (function)²

2.2 Urban design considerations³

2.3 Geometrics (vertical and horizontal alignment)

2.4 Hydrology including climate change effects⁴

2.5 Foundation (subsurface) conditions

2.6 Site stability and liquefaction risk

2.7 Constraints on span arrangement and clearances

2.8 Constraints on construction methods

2.9 Constraints on construction materials

2.10 Interaction of construction with traffic flows

2.11 Site seismic hazard⁵

2.12 Environmental considerations and constraints

2.13 Side protection requirements

2.14 Exposure to potential vehicle or train collision⁶

2.15 Access for inspection and maintenance

2.16 Any territorial authority requirements additional to the requirements of the NZ Transport Agency

3. DESIGN OPTIONS (for each option)

3.1 Structural forms and modes of behaviour

3.2 How the design addresses the factors influencing the design

3.3 Likely methods of construction

3.4 Construction materials and durability

3.5 Tolerance of the structure to overloading under critical load conditions

3.6 Tolerance of the structure to seismic effects, including liquefaction⁷

3.7 Maintenance requirements

3.8 Cost estimates⁸

4. DESCRIPTION OF PROPOSED STRUCTURE (preliminary details)⁹

4.1 Description of structure and design working life¹⁰

4.2 Structural type¹¹

4.3 Span arrangements

4.4 Articulation arrangements¹²

4.5 Foundation type

4. DESCRIPTION OF PROPOSED STRUCTURE (preliminary details) continued

- 4.6 Proposed form of any bridge side protection
- 4.7 Structure drainage and disposal of stormwater
- 4.8 Provisions for services¹³
- 4.9 Proposed form of any collision protection
- 4.10 Proposed mitigation of any scour or waterway issues
- 4.11 Provisions for climate change
- 4.12 Materials and finishes^{14, 15}
- 4.13 Durability and maintenance requirements¹⁶
- 4.14 Proposed arrangements for inspection and maintenance, including provisions for access¹⁷
- 4.15 Proposed arrangements for construction¹⁸
- 4.16 Risks and hazards considered¹⁹
- 4.17 Estimated cost of proposed structure

5. PROPOSED DESIGN REQUIREMENTS AND STANDARDS²⁰

- 5.1 Proposed service requirements (functionality) for the structure
- 5.2 Proposed departures from the NZ Transport Agency's standard design requirements and standards
- 5.3 Proposed augmentation of the NZ Transport Agency's standard design requirements and standards
- 5.4 Proposed clarification of the NZ Transport Agency's standard design requirements and standards²¹
- 5.5 Proposed constraints to be put upon the contractor's design²²

6. GEOTECHNICAL CONDITIONS (preliminary)

- 6.1 Extent of geotechnical investigations undertaken and proposed
- 6.2 Description of the strata in which the structure and its approaches will found
- 6.3 Indication of the potential range of differential settlement anticipated under static and seismic loading
- 6.4 Indication of the potential range of anticipated lateral ground movements or vertical settlements due to embankment loading under static and seismic loading etc
- 6.5 Categorisation of the site subsoil conditions for earthquake loading derivation
- 6.6 Identification of the risk, consequences, and mitigation of earthquake-induced liquefaction and lateral spread²³

7. DRAWINGS AND DOCUMENTS

- 7.1 Drawings and documents accompanying the structure options report²⁴

8. SUBMISSION AND ACCEPTANCE

- 8.1 Submitted to the NZ Transport Agency for acceptance:

Signed _____
Name _____
Engineering qualifications _____
Name of organisation _____
Date _____

8.2 Accepted/Rejected on behalf of the NZ Transport Agency subject to the amendments and conditions below:

Signed _____
 Name _____
 Position held _____
 Engineering qualifications _____
 Date _____
 Amendments/conditions _____

Notes

1. All significant factors that affect the design shall be discussed, including those listed
2. eg type of highway, permitted traffic speed, traffic volume, pedestrians, cyclists, utilities to be provided for
3. Include the influence of urban design on the structure and its environs (refer section 2.6.3 of the *Bridge manual*)
4. In terms of the influence on the intensity and frequency of precipitation and sea level for bridges and culverts serving at waterways, sea coast and estuarine sites
5. Include subsoil conditions, and the potential for site instability or liquefaction
6. For a bridge over a road or railway, the exposure to potential vehicle or train collision with the bridge supports or superstructure
7. Consider options for liquefaction effect mitigation and address the cost effectiveness and structural performance of the options
8. Include consideration of future maintenance costs
9. For carrying forward to detailed design or specimen design as may be appropriate
10. Describe the proposed structure including details in respect to the urban design of the structure and its environs
11. Proposed details relevant to the structural behaviour, including details related to the provision of seismic resistance, accommodation of thermal and settlement effects, and articulation of the structure
12. The form proposed for such items as bearings, deck joints, load limiting devices (eg knock-off elements), energy dissipation devices and shock load transfer devices
13. Include provisions to be made for any services, structures, signs, or poles to be attached to the bridge
14. Materials design parameters (density, strength, modulus of elasticity, coefficients of shrinkage, creep and thermal expansion etc as relevant) for the materials proposed to be adopted
15. Surface finishes to be adopted or applied to the structure, including concrete surface finishes, steel corrosion protection systems, aesthetic textured finishes or coloured coatings, and anti-graffiti coatings
16. eg corrosion protection systems, use or elimination of deck joints and bearings, and time to first maintenance of details and elements expected to require maintenance
17. Procedures to be adopted for the maintenance and/or replacement of elements expected to require maintenance or replacement within the design working life of the structure, in particular in respect to deck joints and bearings
18. The construction methodology and traffic management to be adopted including details of any interface with existing structures
19. A summary of a risk analysis and of special features of the design that are critical to its success and/or that require special attention during construction. List only risks and hazards that would not be apparent to an experienced and competent contractor
20. For detailed design or for incorporation into principal's requirements
21. Should include those areas where the NZ Transport Agency's design documents require 'consideration' of a factor influencing design
22. For the case of design by others
23. Include predictions of behaviour under earthquake events which are both less and more severe than the design event (refer section 5.1.2 of the *Bridge manual*)
24. Include, without limitation:
 - a) General arrangement drawing
 - b) Departures from standards
 - c) Methods of dealing with aspects not covered by standards
 - d) Relevant correspondence and documents from consultations

STRUCTURE DESIGN STATEMENT	
Name of project
Name of bridge or structure
Location

1. INTRODUCTION AND DESCRIPTION OF PROPOSED STRUCTURE

- 1.1 Reasons for the construction of the structure and service requirements (function)
- 1.2 General site description, including subsurface conditions
- 1.3 Description of structure, including vertical and horizontal alignment
- 1.4 Structural type or form, including load paths¹
- 1.5 Span arrangements
- 1.6 Articulation arrangements²
- 1.7 Pier type
- 1.8 Abutment type (including settlement slab provisions)
- 1.9 Foundation type
- 1.10 Approach type
- 1.11 Ground stabilisation

2. PROPOSED DESIGN DETAILS (satisfying requirements related to form, function and durability)

- 2.1 Urban design assessment and features
- 2.2 Cross section
- 2.3 Form of any bridge side protection³
- 2.4 Surfacing
- 2.5 Structure drainage and disposal of stormwater
- 2.6 Provisions for services⁴
- 2.7 Lighting
- 2.8 Signage
- 2.9 Heavy, high or overwidth load route requirements
- 2.10 Vertical and horizontal clearances to bridged obstacle
- 2.11 Form of any substructure and superstructure collision protection
- 2.12 Tolerance of the structure to overloading under critical load conditions
- 2.13 Tolerance of the structure to seismic effects, including liquefaction
- 2.14 Mitigation of any scour or waterway issues
- 2.15 Provisions for climate change
- 2.16 Design working life
- 2.17 Materials and finishes^{5,6}
- 2.18 Durability and maintenance requirements⁷
- 2.19 Road joints and bearings, including provision for replacement
- 2.20 Proposed arrangements for inspection and maintenance, including provisions for access⁸
- 2.21 Anti-vandal and security provisions, graffiti protection
- 2.22 Proposed arrangements and methodology for construction⁹

3. STRUCTURAL ANALYSIS AND DESIGN

- 3.1 List of standards and other design documents to be used in the design
- 3.2 Loading and load combinations
 - 3.2.1 Permanent loading¹⁰
 - 3.2.2 Snow, wind, thermal and flood loading
 - 3.2.3 ULS earthquake hazard spectra and the design displacement ductility factor
 - 3.2.4 Earth loads
 - 3.2.5 Settlements
 - 3.2.6 Loading relating to normal traffic¹¹
 - 3.2.7 Loading relating to overweight traffic¹²
 - 3.2.8 Traffic fatigue loading
 - 3.2.9 Footway or footbridge live loading
 - 3.2.10 Loading relating to exceptional abnormal loads or indivisible loads¹³
 - 3.2.11 Accidental loading
 - 3.2.12 Collision loading
 - 3.2.13 Construction loading¹⁴
 - 3.2.14 Load combinations
 - 3.2.15 Any special loading not covered above
- 3.3 Seismic design philosophy and approach¹⁵
- 3.4 Serviceability criteria¹⁶
- 3.5 Material parameters to be adopted
- 3.6 Methods of analysis and design for the superstructure, substructure and foundations¹⁷
- 3.7 The form of analysis models¹⁸
- 3.8 Assumptions for calculation of structural stiffness
- 3.9 Soil parameters and earth pressure coefficients adopted for the modelling of soil-structure interaction and for design of soil retaining structures

4. DESIGN PROCESS MATTERS

- 4.1 Differences from previously accepted structural form and details, if any, and why
 - 4.2 Risks and hazards considered¹⁹
 - 4.3 Requirements and standards compliance (including departures)²⁰
 - 4.4 Special studies
 - 4.5 Design interfaces²¹
 - 4.6 Approvals required – authorities consulted and any special conditions required
 - 4.7 Issues requiring resolution
 - 4.8 Resource consent compliance
 - 4.9 Design review – proposed category (if category 1, name of proposed independent design review firm)
 - 4.10 Proposed level of construction review
 - 4.11 Proposed method of Building code compliance
 - 4.12 Building consent requirements
 - 4.13 Estimated cost of proposed structure (where appropriate)²²
-

5. GEOTECHNICAL CONDITIONS

- 5.1 Extent of geotechnical investigations undertaken and proposed
- 5.2 Geotechnical interpretive report recommendations
- 5.3 Description of the strata in which the structure and its approaches will found and proposed allowable or limiting bearing pressures for end bearing and lateral bearing, and skin friction on piles
- 5.4 Identification of the potential range of differential settlement anticipated under static and seismic loading to be allowed for in design
- 5.5 Identification of the potential range of anticipated lateral ground movements or vertical settlements due to embankment loading under static and seismic loading etc, to be allowed for in the design
- 5.6 Results of groundwater tests and any counteracting measures proposed
- 5.7 Categorisation of the site subsoil conditions for earthquake loading derivation
- 5.8 Identification of the risk, consequences, and mitigation of earthquake-induced liquefaction and lateral spread²³

6. DRAWINGS AND DOCUMENTS

- 6.1 Drawings and documents accompanying the structure design statement²⁴
- 6.2 Reference document schedule

7. SUBMISSION AND ACCEPTANCE

- 7.1 Submitted to the NZ Transport Agency for acceptance:

Signed _____
Name _____
Engineering qualifications _____
Name of organisation _____
Date _____

- 7.2 Accepted/Rejected on behalf of the NZ Transport Agency subject to the amendments and conditions below:

Signed _____
Name _____
Position held _____
Engineering qualifications _____
Date _____
Amendments/conditions _____

Notes

1. Proposed details relevant to the structural behaviour, including details related to the provision of seismic resistance, accommodation of thermal and settlement effects, and articulation of the structure
2. The form proposed for such items as bearings, deck joints, load limiting devices (eg knock-off elements), energy dissipation devices and shock load transfer devices
3. Include details of vehicle barriers, pedestrian barriers, cycle barriers, noise barriers and anti-throw screens
4. Include provisions to be made for any services, structures, signs, or poles to be attached to the bridge
5. Materials design parameters (density, strength, modulus of elasticity, coefficients of shrinkage, creep and thermal expansion etc as relevant) for the materials proposed to be adopted
6. Surface finishes to be adopted or applied to the structure, including concrete surface finishes, steel corrosion protection systems, aesthetic textured finishes or coloured coatings, and anti-graffiti coatings
7. eg corrosion protection systems, use or elimination of deck joints and bearings, and time to first maintenance of details and elements expected to require maintenance
8. Procedures to be adopted for the maintenance and/or replacement of elements expected to require maintenance or replacement within the design working life of the structure, in particular in respect to deck joints and bearings
9. The construction methodology and traffic management to be adopted including details of any interface with existing structures
10. eg dead loads, post tensioning, creep and shrinkage
11. eg HN loading. Detail lane widths and numbers
12. eg HO loading. Detail loading combinations with normal traffic as appropriate
13. Include the following as applicable:
 - a) Gross weight of the vehicle in tonnes
 - b) Axle type, load and spacing (longitudinally and transversely)
 - c) Location of vehicle track on deck cross-section
14. Include wind and seismic loads appropriate for the construction period
15. Outline how the seismic response is proposed to be resisted, where inelastic behaviour will be designed to occur, how collapse avoidance will be addressed when dependent on ground stability and how ground induced movements and settlements will be designed for
16. eg stresses, crack widths, displacements, vibrations
17. Include the forms of analysis to be applied for static loads, seismic response, and vibration and methods for dealing with stage construction and time dependent effects
18. Include the manner of application of loads
19. A summary of a risk analysis and of special features of the design that are critical to its success and/or that require special attention during construction. List only risks and hazards that would not be apparent to an experienced and competent contractor
20. Include proposed departures from requirements and standards and proposed methods for dealing with aspects not covered by requirements and standards (refer to separate summary if appended)
21. Interfaces between the structure in question with other components of the project that need to be coordinated as part of the design
22. Include consideration of future maintenance costs
23. Include predictions of behaviour under earthquake events which are both less and more severe than the design event (refer section 5.1.2 of the *Bridge manual*)
24. Include, without limitation:
 - a) General arrangement drawing
 - b) Relevant extracts from the geotechnical interpretive report
 - c) Departures from standards
 - d) Methods of dealing with aspects not covered by standards
 - e) Relevant correspondence and documents from consultations
 - f) Special studies and site specific assessments

Annex F2 Model certificates

This annex contains the following model certificates that shall be used, unless otherwise specified in the relevant contract documentation, to certify the satisfactory completion of the work involved and that the organisations concerned have exercised due professional skill and care:

- For design, design review and construction review where the consultant is employed by the Transport Agency:
 - Design and design review certificate
(for use with category 3 and 4 structures only)
 - Design certificate
 - Design review certificate
 - Construction review certificate
 - For design, design review and construction review where the consultant is employed by the contractor:
 - Design and design review certificate (contractor's design)
(for use with category 3 and 4 structures only)
 - Design certificate (contractor's design)
 - Design review (contractor's design)
 - Construction review (contractor's design)
 - For all construction contracts:
 - Construction certificate
-

DESIGN AND DESIGN REVIEW CERTIFICATE

(for use with category 3 and 4 structures only)

ISSUED BY:
(*design firm*)

TO: THE NZ TRANSPORT AGENCY

IN RESPECT OF:
(*description of contract works*)

AT:
(*address*)

..... has been engaged by the NZ Transport Agency to provide design services
(*design firm*)
in accordance with a contract, titled
(*the contract*)

I a suitably qualified design professional and duly authorised agent of
..... confirm that the design and a review of the design have been carried out
(*design firm*)
with due skill, care and diligence as it relates to:

All of the design / Part only of the design as described below:
(*delete that which is not applicable*)

.....
.....

and I believe on reasonable grounds that the design has been carried out in accordance with the:
standards or specifications listed below (for category 4 structures only); or
structure design statement dated and addenda dated listed below (or attached)
(*date*) (*date*)

.....
and has been accurately translated in drawings and specifications with the unique numbers listed below (or
attached).
.....

.....
(*Signature of suitably qualified design professional and authorised agent of the design firm*)

..... Date
(*Professional qualifications*)

DESIGN CERTIFICATE

ISSUED BY:
(*design firm*)

TO: THE NZ TRANSPORT AGENCY

IN RESPECT OF:
(*description of contract works*)

AT:
(*address*)

..... has been engaged by the NZ Transport Agency to provide design services
(*design firm*)
in accordance with a contract, titled
(*the contract*)

I a suitably qualified design professional and duly authorised agent of
..... confirm that the design has been carried out with due skill, care and
(*design firm*)
diligence as it relates to:

All of the design / Part only of the design as described below:
(*delete that which is not applicable*)

.....
.....

and I believe on reasonable grounds that the design has been carried out in accordance with the:
standards or specifications listed below (for category 4 and uncategorised structures only); **or**
structure design statement dated and addenda dated listed below (or attached)
(*date*) (*date*)

.....
and has been accurately translated in drawings and specifications with the unique numbers listed below (or
attached).

.....
(*Signature of suitably qualified design professional and authorised agent of the design firm*)

..... Date
(*Professional qualifications*)

DESIGN REVIEW CERTIFICATE

ISSUED BY:
(design review firm)

TO: THE NZ TRANSPORT AGENCY

IN RESPECT OF:
(description of contract works)

AT:
(address)

..... has been engaged by the NZ Transport Agency to review the design
(design review firm)

undertaken in accordance with a contract, titled
(the contract)

I a suitably qualified design professional and duly authorised agent of
..... confirm that a category 1 / 2 / 3 / 4 review of the design has been carried
(design review firm) (delete those that are not applicable)
out with due skill, care and diligence as it relates to:

All of the design / Part only of the design as described below:
(delete that which is not applicable)

.....
.....

and I believe on reasonable grounds that the design has been carried out in accordance with the:
standards or specifications listed below (for category 4 structures only); or
structure design statement dated and addenda dated listed below (or attached)
(date) (date)

and has been accurately translated in drawings and specifications with the unique numbers listed below (or
attached).

.....
(Signature of suitably qualified design professional and authorised agent of the design review firm)

..... Date
(Professional qualifications)

CONSTRUCTION REVIEW CERTIFICATE

ISSUED BY:
(construction review firm)

TO: THE NZ TRANSPORT AGENCY

IN RESPECT OF:
(description of contract works)

AT:
(address)

..... has been engaged by the NZ Transport Agency to provide
(construction review firm)
CM1 / CM2 / CM3 / CM4 / CM5 observation or other services for certain
(delete those that are not applicable) (extent of engagement)
building works undertaken in accordance with a contract, titled
(the contract)

I a suitably qualified professional and duly authorised agent of
..... confirm that reviews of the construction have been carried out with due
(construction review firm)
skill, care and diligence as it relates to:

All of the construction / Part only of the construction as described below:
(delete that which is not applicable)
.....
.....

and I believe on reasonable grounds that these works have been carried out and completed in accordance
with the design as certified in the design certificate dated and addenda dated
(date) (date)
listed below (or attached) as authorised by the signatory of the design certificate.

.....
(Signature of suitably qualified professional and authorised agent of the construction review firm)

..... Date
(Professional qualifications)

DESIGN AND DESIGN REVIEW CERTIFICATE (CONTRACTOR'S DESIGN)

(for use with category 3 and 4 structures only)

ISSUED BY:
 (design firm)

TO: THE NZ TRANSPORT AGENCY

IN RESPECT OF:
 (description of contract works)

AT:
 (address)

..... has contracted to the NZ Transport Agency to carry out and complete
 (contractor)
 certain building works in accordance with a contract, titled
 (the contract).

..... has been employed by the contractor as head design firm for the
 (contractor's head design firm)
 contractor's design in accordance with the contract.

I a suitably qualified design professional and duly authorised agent of the
 contractor's head design firm confirm that the contractor's design and a review of the design have been
 carried out with due skill, care and diligence as it relates to:

All of the contractor's design / Part only of the contractor's design as described below:
 (delete that which is not applicable)

.....

and I believe on reasonable grounds that the design has been carried out in accordance with the:
 standards or specifications listed below (for category 4 structures only); **or**
 structure design statement dated and addenda dated listed below (or attached)
 (date) (date)

.....
 and has been accurately translated in drawings and specifications with the unique numbers listed below (or
 attached).

.....

.....
 (Signature of suitably qualified design professional and authorised agent of the design firm)

..... Date
 (Professional qualifications)

DESIGN CERTIFICATE (CONTRACTOR'S DESIGN)

ISSUED BY:
(contractor)

TO: THE NZ TRANSPORT AGENCY

IN RESPECT OF:
(description of contract works)

AT:
(address)

..... has contracted to the NZ Transport Agency to carry out and complete
(contractor)
certain building works in accordance with a contract, titled
(the contract).

..... has been employed by the contractor as head design firm for the
(contractor's head design firm)
contractor's design in accordance with the contract.

I a suitably qualified design professional and duly authorised agent of the
contractor's head design firm confirm that the contractor's design has been carried out with due skill, care
and diligence as it relates to:

All of the contractor's design / Part only of the contractor's design as described below:
(delete that which is not applicable)

.....
.....

and I believe on reasonable grounds that the design has been carried out in accordance with the:
standards or specifications listed below (for category 4 and uncategorised structures only); or
structure design statement dated and addenda dated listed below (or attached)
(date) (date)

.....
and has been accurately translated in drawings and specifications with the unique numbers listed below (or
attached).
.....

.....
(Signature of suitably qualified design professional and authorised agent of the head design firm)

..... Date
(Professional qualifications)

I a duly authorised agent of the contractor confirm on behalf of the
contractor that

- a) The contractor's head design firm named above has contracted with the contractor to act as contractor's head design firm;
- b) I have been advised in writing by the head design firm that is competent in the relevant field(s) of design and is duly authorised to sign this statement as agent and on behalf of the head design firm;
- c) The subcontracting of any part of the contractor's design or the signing of this statement does not relieve the contractor of any liability or obligation under the contract; and
- d) The terms used herein have the same meaning as assigned to them in the contract.

..... Date
(Signature of authorised agent of the contractor)

DESIGN REVIEW CERTIFICATE (CONTRACTOR'S DESIGN)

ISSUED BY:
 (contractor)

TO: THE NZ TRANSPORT AGENCY

IN RESPECT OF:
 (description of contract works)

AT:
 (address)

..... has contracted to the NZ Transport Agency to carry out and complete
 (contractor)
 certain building works in accordance with a contract, titled
 (the contract).

..... has been employed by the contractor as design review firm for the
 (contractor's design review firm)
 contractor's design in accordance with the contract.

I a suitably qualified design professional and duly authorised agent of the
 contractor's design review firm confirm that a category 1 / 2 / 3 / 4 review of the contractor's design has
 (delete those that are not applicable)
 been carried out with due skill, care and diligence as it relates to:

All of the contractor's design / Part only of the contractor's design as described below:
 (delete that which is not applicable)

.....

and I believe on reasonable grounds that the design has been carried out in accordance with the:
 standards or specifications listed below (for category 4 structures only); or
 structure design statement dated and addenda dated listed below (or attached)
 (date) (date)

.....
 and has been accurately translated in drawings and specifications with the unique numbers listed below (or
 attached).

.....
 (Signature of suitably qualified design professional and authorised agent of the design review firm)

..... Date
 (Professional qualifications)

I a duly authorised agent of the contractor confirm on behalf of the
 contractor that

- a) The contractor's design review firm named above has been employed by the contractor to act as reviewer of the contractor's design;
- b) I have been advised in writing by the design review firm that is competent in the relevant fields of design and is duly authorised to sign this statement as agent and on behalf of the design review firm;
- c) The subcontracting of any part of the reviewing of the contractor's design or the signing of this statement does not relieve the contractor of any liability or obligation under the contract; and
- d) The terms used herein have the same meaning as assigned to them in the contract.

..... Date
 (Signature of authorised agent of the contractor)

CONSTRUCTION REVIEW CERTIFICATE (CONTRACTOR'S DESIGN)

ISSUED BY:
(contractor)

TO: THE NZ TRANSPORT AGENCY

IN RESPECT OF:
(description of contract works)

AT:
(address)

..... has contracted to the NZ Transport Agency to carry out and complete
(contractor)
certain building works in accordance with a contract, titled
(the contract).

..... has been engaged by the contractor as head design firm for the
(contractor's head design firm)
contractor's design in accordance with the contract.

I a suitably qualified design professional and duly authorised agent of the
contractor's head design firm confirm that reviews of the contractor's construction have been carried out
with due skill, care and diligence as it relates to:

All of the contractor's design / Part only of the contractor's design as described below:
(delete that which is not applicable)

.....
.....

and I believe on reasonable grounds that these works have been carried out and completed in accordance
with the contractor's design as certified in the design certificate dated and addenda
(date)
dated listed below (or attached) as authorised by the signatory of the design certificate.
(date)

.....
(Signature of suitably qualified design professional and authorised agent of the head design firm)

..... Date
(Professional qualifications)

I a duly authorised agent of the contractor confirm on behalf of the
contractor that

- a) The contractor's head design firm named above has been employed by the contractor to act as contractor's head design firm;
- b) I have been advised in writing by the head design firm that is duly authorised to sign this statement as agent and on behalf of the head design firm;
- c) The subcontracting of any part of the contractor's design or the signing of this statement does not relieve the contractor of any liability or obligation under the contract; and
- d) The terms used herein have the same meaning as assigned to them in the contract.

..... Date
(Signature of authorised agent of the contractor)

CONSTRUCTION CERTIFICATE

ISSUED BY:
(contractor)

TO: THE NZ TRANSPORT AGENCY
IN RESPECT OF:
(description of contract works)

AT:
(address)

..... has contracted to the NZ Transport Agency to carry out and complete
(contractor)
certain building works in accordance with a contract, titled
(the contract).

I a duly authorised agent of believe on
(contractor)
reasonable grounds that has carried out and completed
(contractor)

All of the building works / Part only of the building works as specified below:
(delete that which is not applicable)
.....
.....
.....
.....

in accordance with the design as certified in the design certificate dated and addenda
(date)
dated listed below (or attached) as authorised by the signatory of the design certificate.
(date).

..... Date
(Signatory of authorised agent of the contractor)

.....
(Contractor)

.....
(Address)

Superseded